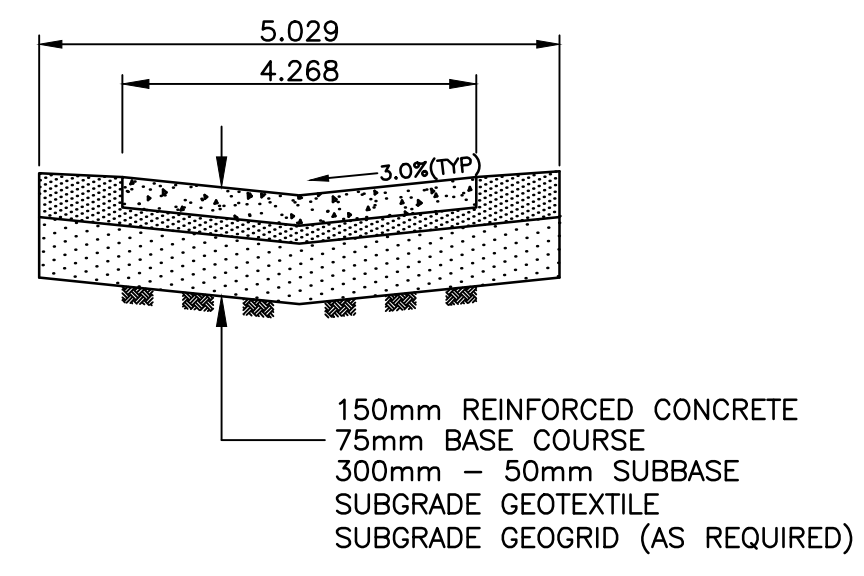
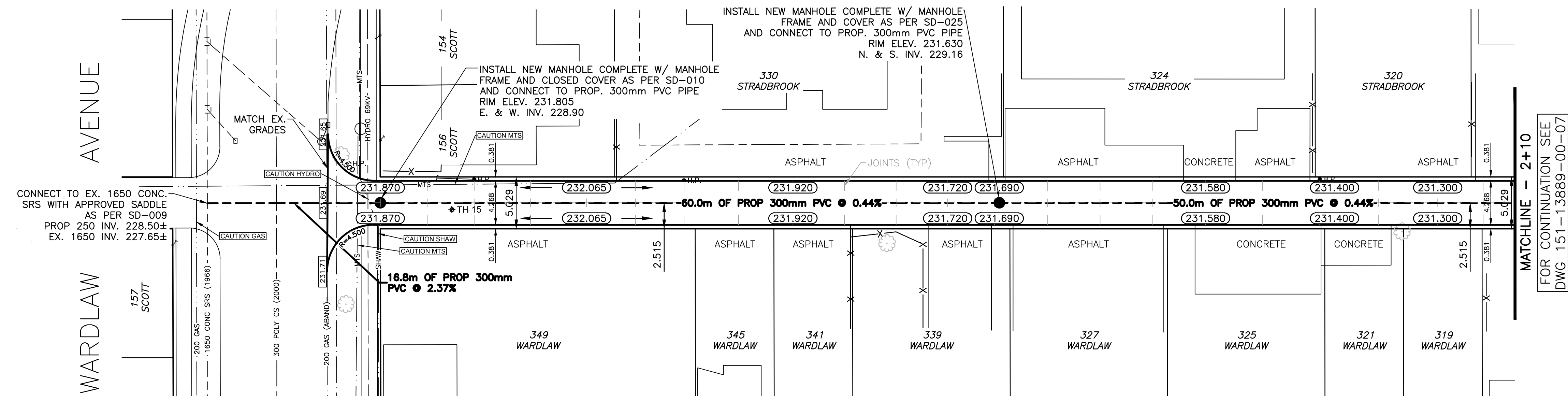
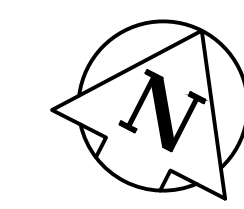


CHAINAGE ALONG C OF PUBLIC RIGHT-OF-WAY

STRADBROOK AVENUE / WARDLAW AVENUE

NOTES:

- ISOLATE EXISTING HYDRO POLES AS DIRECTED BY CONTRACT ADMINISTRATOR
- RENEW EXISTING APPROACHES AS DIRECTED BY CONTRACT ADMINISTRATOR
- ADDITIONAL EXCAVATION AND INSTALLATION OF SUBGRADE GEOGRID TO BE DETERMINED BY CONTRACT ADMINISTRATOR
- ADJUSTMENTS TO PROPOSED CROSSFALL, WHERE REQUIRED, ARE TO BE DETERMINED BY CONTRACT ADMINISTRATOR TO SUIT EXISTING DRIVEWAYS, APPROACHES, ETC.
- MODIFIED BARRIER CURB TO BE USED FOR CURB RENEWAL AT RADII AS DIRECTED BY CONTRACT ADMINISTRATOR
- EX. MANHOLES, CATCHBASINS, GATE VALVES AND OTHER APPURTENANCES TO BE ADJUSTED AS DIRECTED BY CONTRACT ADMINISTRATOR



TYPICAL ALLEY CROSS SECTION  
N.T.S.

"Description of property limits, and existing and/or proposed features relative to these limits as shown on this drawing do not represent a Legal Survey. WSP makes no representation or guarantee that the property limit information is accurate. WSP accepts no responsibility for damages, if any, suffered by any third party as a result of decisions made or actions based on this drawing."

EXISTING	LEGEND - PLAN	PROPOSED	EXISTING	LEGEND - PROFILE	PROPOSED	EXISTING	LEGEND - PROFILE	PROPOSED
	WATERMAIN			M.T.S.			WATERMAIN	
	HYDRANT			TRAFFIC SIGNAL			VALVE	
	VALVE			CONCRETE/ASPHALT			LAND DRAINAGE SEWER	
	CURB STOP			SIDEWALK			WASTE WATER SEWER	
	WASTE WATER SEWER			CURB RAMP			CENTERLINE	
	LAND DRAINAGE SEWER			PROPERTY LINE			SOUTH & EAST GUTTER	
	C.B. LEAD			ELEVATIONS			NORTH & WEST GUTTER	
	MANHOLE			TEST HOLE LOCATION			S. & E. PAD/GARG.	
	CATCH BASIN						N. & W. PAD/GARG.	
	GAS							
	HYDRO							

NO.	REVISIONS	DATE	BY
2	ISSUED FOR TENDER	04/06/16	A.B.
1	CON REVIEW AND APPROVAL	03/03/16	A.B.

**WSP**  
1600 BUFFALO PLACE  
WINNIPEG, MB, R3T 6B8  
PHONE: 204-477-6650  
FAX: 204-474-2864  
WWW.WSPGROUP.COM

DESIGNED BY: A.B.  
CHECKED BY: S.M.  
DRAWN BY: A.B.  
APPROVED BY: I.McK.  
HOR. SCALE: 1:250  
VERT. SCALE: 1:25  
DATE: JANUARY 2016

ENGINEERS SEAL
CONSULTANT DRAWING NO. 151-13889-00-06

**THE CITY OF WINNIPEG**  
PUBLIC WORKS DEPARTMENT

2016 ALLEY RECONSTRUCTION - CONTRACT 1  
STRADBROOK AVENUE/WARDLAW AVENUE ALLEY  
FROM WARDLAW AVENUE TO STA. 2+10  
CONCRETE PAVEMENT

CITY DRAWING NO.  
SHEET 1 OF 3  
316-2016

