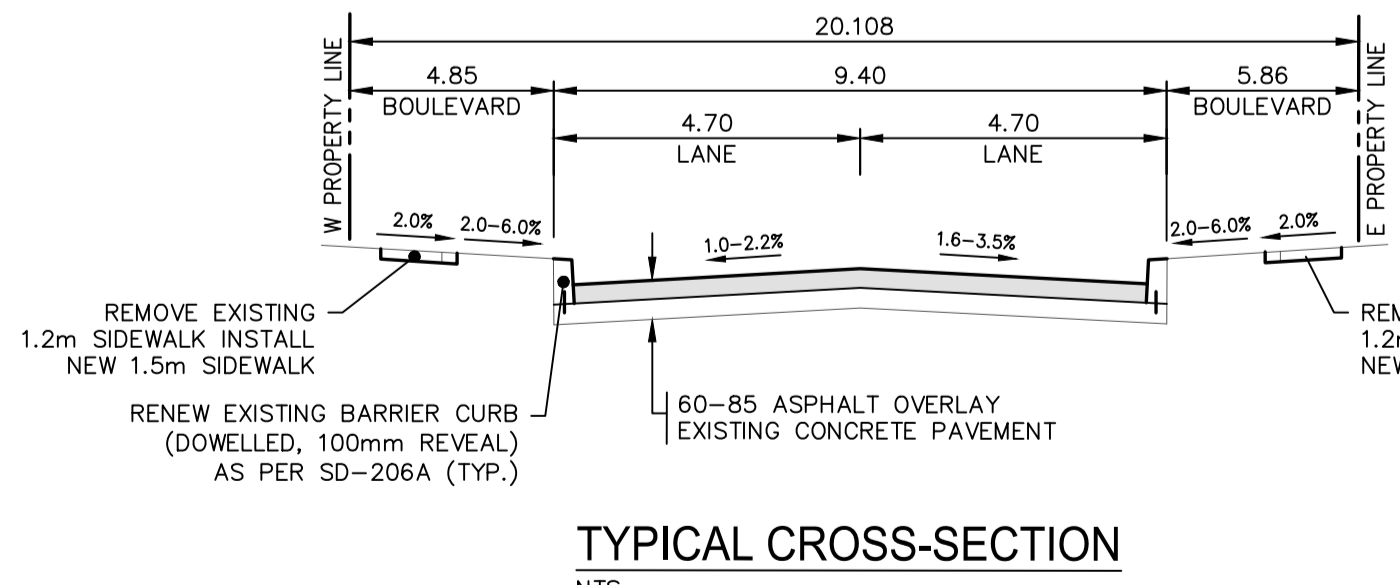


Mar 22, 2016 - 1:26pm  
 P:\5015115-05\Drawings\Construction\Drawings\1515115 - Rothsey Street C-01\_C04.dwg - tab C-01

NOTE: These design documents are prepared solely for the use by the party with whom the design professional has entered into a contract and there are no representations of any kind made by the design professional to any party with whom the design professional has not entered into a contract.

EXISTING	LEGEND-PLAN	PROPOSED	EXISTING	LEGEND-PLAN	PROPOSED	EXISTING	LEGEND-PROFILE	PROPOSED
---	WATER MAIN	---	#111	CIVIC ADDRESS	---	---	---	---
---	LAND DRAINAGE SEWER	---	---	IRON BAR	---	---	---	---
---	WASTE WATER SEWER	---	---	HYDRO POLE & LIGHT STANDARD	---	---	---	---
---	HYDRO	---	---	LIGHT STANDARD	---	---	---	---
---	M.T.S.	---	---	HYDRO POLE	---	---	---	---
---	GAS	---	---	CURB RAMP	---	---	---	---
---	SIGNALS	---	---	DETECTABLE WARNING SURFACE TILE	---	---	---	---
---	MANHOLE	---	---	EDGE OF SIDEWALK	---	---	---	---
---	CATCH BASIN	---	---	PROPERTY LINE	---	---	---	---
---	CURB INLET	---	---	EDGE OF ASPHALT	---	---	---	---
---	UTILITIES ADJUSTED	---	---	MODIFIED BARRIER CURB	---	---	---	---
---	PLUG	---	---	BARRIER CURB	---	---	---	---
---	HYDRANT	---	---	EDGE OF CONCRETE	---	---	---	---
---	VALVE	---	---	SIDEWALK	---	---	---	---
---	CURB STOP	---	---	CONCRETE REPAIR SLAB	---	---	---	---
---	GROUND GRADE	---	---	ASPHALT	---	---	---	---
---	PAVEMENT GRADE	---	---	MILLED SURFACE	---	---	---	---
---	LOT GRADE	---	---	ASPHALT JOINT REPAIR	---	---	---	---
---	ANCHOR	---	---	GLASS GRID	---	---	---	---
---	LEGEND-PLAN	---	---	LEGEND-PLAN	---	---	---	---
---	PROPOSED	---	---	LEGEND-PROFILE	---	---	---	---
---	EXISTING	---	---	PROPOSED	---	---	---	---



**LOCATIONS APPROVED UNDERGROUND STRUCTURES**

SIGNED BY: \_\_\_\_\_ DATE: \_\_\_\_\_

SUPV UG STRUCTURES

LOCATION OF UNDERGROUND STRUCTURES AS SHOWN ARE BASED ON THE BEST INFORMATION AVAILABLE BUT NO GUARANTEE IS GIVEN THAT ALL EXISTING UTILITIES ARE SHOWN OR THAT THE GIVEN LOCATIONS ARE EXACT CONFIRMATION OF EXISTENCE AND EXACT LOCATION OF ALL SERVICES MUST BE OBTAINED FROM THE INDIVIDUAL UTILITIES BEFORE PROCEEDING

NO.	REVISIONS	DATE	BY
B	ISSUED FOR UG STRUCTURES REVIEW	15.03.16	VM
A	ISSUED FOR C of W REVIEW	03.03.16	VM

- NOTES:**
- ADJUST MH, CB RIMS, AND VALVES TO NEW GRADES.
  - CONTRACTORS TO TAKE PRECAUTIONARY STEPS TO PROTECT EXISTING TREES WITHIN THE LIMITS OF CONSTRUCTION FROM DAMAGE FROM CONSTRUCTION ACTIVITIES AS OUTLINED IN THE SPECIFICATIONS.
  - MODIFIED BARRIER CURB TO BE USED AT ALL INTERSECTION RADI, BACK LANE RADI, AND BULL NOSES.
  - CONTRACTOR TO CONFIRM THE LOCATION OF ALL UTILITIES/SERVICES IN THE FIELD PRIOR TO CONSTRUCTION.
  - ADD 200.00M TO ABBREVIATED ELEVATIONS TO OBTAIN GEODETIC ELEVATIONS.
  - CB OFFSETS ARE DIMENSIONED TO BACK OF CURB.
  - PAVEMENT REPAIRS SHOWN ARE ONLY A REPRESENTATIVE APPROXIMATION OF THE TENDERED QUANTITIES.
  - SIDEWALKS TO BE RENEWED WITH CONCRETE AS NOTED BY CONTRACT ADMINISTRATOR.
  - LAMP STANDARDS, HYDRO POLES, AND ANCHORS THAT REQUIRE TEMPORARY SUPPORT, REMOVAL OR REPLACEMENT, TO BE DONE SO AT THE EXPENSE OF THE CONTRACTOR AS NECESSARY.
  - RENEW CURB AS IDENTIFIED BY CONTRACT ADMINISTRATOR.
  - ALL WORK AND MATERIALS TO BE IN ACCORDANCE WITH THE LATEST REVISION OF THE CITY OF WINNIPEG STANDARD CONSTRUCTION SPECIFICATIONS.
  - ALL ROADWAY DIMENSIONS SHOWN ARE TO BACK OF CURB.
  - BOULEVARD RESTORATION TO BE SOD UNLESS OTHERWISE NOTED.
  - ALL PRIVATE WALKWAYS TO BE ADJUSTED TO NEW TOP OF CURB ELEVATION, AS REQUIRED.



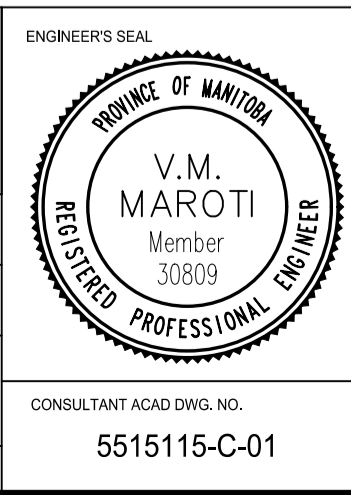
**MMM GROUP**

DESIGNED BY: DS  
 CHECKED BY: TJP  
 DRAWN BY: SB  
 APPROVED BY: VM

HOR SCALE: 1:250  
 VERTICAL: 1:10

RELEASSED FOR CONSTRUCTION

CONSULTANT ACAD DWG. NO.: 5515115-C-01



**THE CITY OF WINNIPEG**  
 PUBLIC WORKS DEPARTMENT  
 ENGINEERING DIVISION

**2016 LOCAL STREET RENEWAL PROGRAM**  
 ROTHESAY STREET  
 EDISON AVENUE TO McLEOD AVENUE  
 PAVEMENT REHABILITATION  
 STA. 0+95.08 TO STA. 2+50

CITY DRAWING NUMBER: \_\_\_\_\_  
 SHEET 1 OF 17  
 BID NO. 260-2016