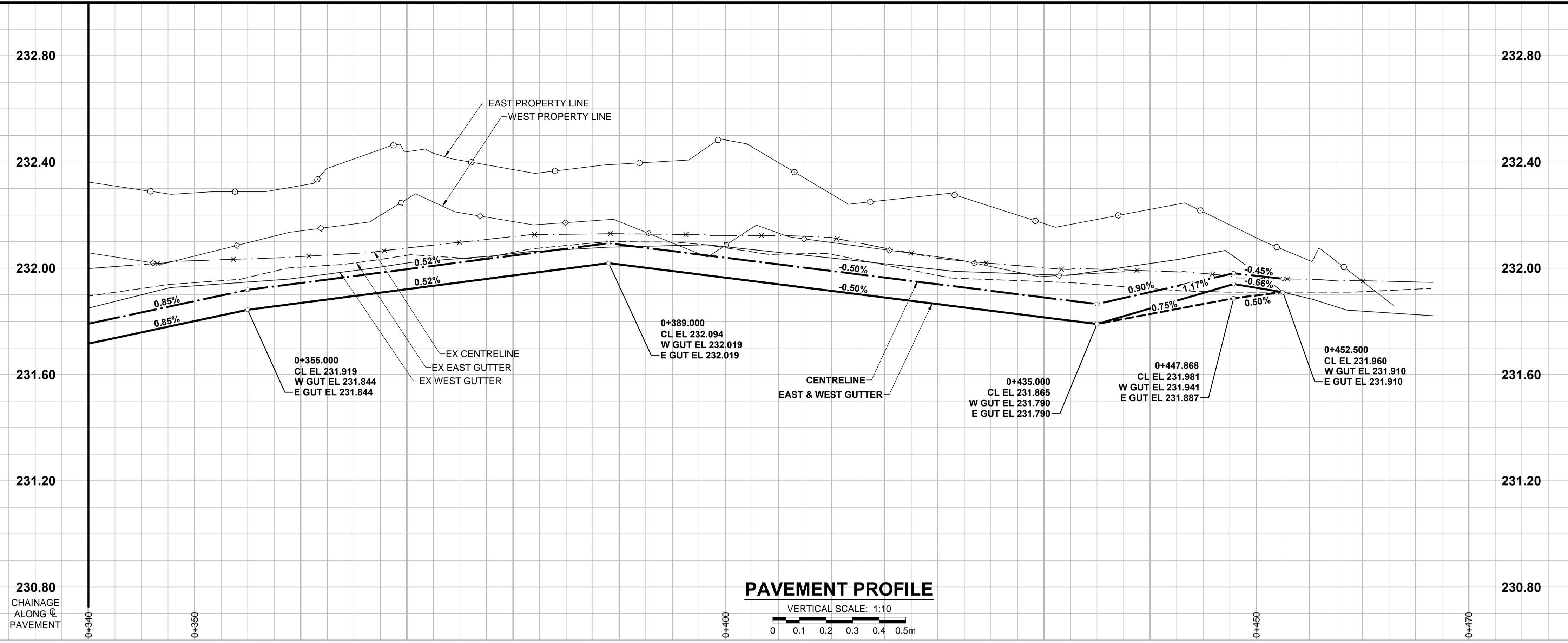


ISO A1 - 594mm x 841mm

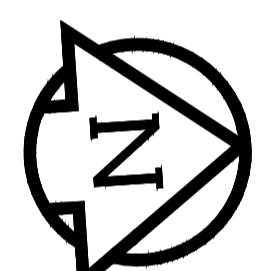


- NOTES**
- ADJUST MH AND CB RIMS TO NEW GRADES.
 - LAMP STANDARDS, HYDRO POLES, AND ANCHORS THAT REQUIRE TEMPORARY SUPPORT, REMOVAL OR REPLACEMENT, TO BE DONE SO AT THE EXPENSE OF THE CONTRACTOR AS NECESSARY.
 - CONTRACTOR TO REGRADE/RENEW EXISTING PRIVATE SIDEWALKS TO LIMITS AS SHOWN. SIDEWALKS TO BE RENEWED WITH CONCRETE UNLESS NOTED OTHERWISE.
 - CONTRACTOR TO TAKE PRECAUTIONARY STEPS TO PROTECT EXISTING TREES WITHIN THE LIMITS OF CONSTRUCTION FROM DAMAGE FROM CONSTRUCTION ACTIVITIES AS OUTLINED IN THE SPECIFICATIONS.
 - CONTRACTOR TO CONFIRM THE LOCATION OF ALL UTILITIES/SERVICES IN THE FIELD PRIOR TO CONSTRUCTION.
 - CB SD-023 & SD-024 OFFSETS ARE DIMENSIONED TO BOC. CB SD-025 OFFSETS ARE DIMENSIONED O/C.
 - IN GENERAL, PAVEMENT AND SIDEWALK AREAS TO BE REMOVED. MATCH RECONSTRUCTION LIMITS.
 - REFER TO BID OPPORTUNITY FOR DETAILS REGARDING TRAFFIC MANAGEMENT.
 - ALL EXISTING LONG WATER SERVICES TO BE INSULATED (SD-018). REFER TO BID OPPORTUNITY FOR FURTHER REQUIREMENTS.
 - ADD 200.000m TO ABBREVIATED ELEVATIONS TO OBTAIN GEODETIC ELEVATIONS.

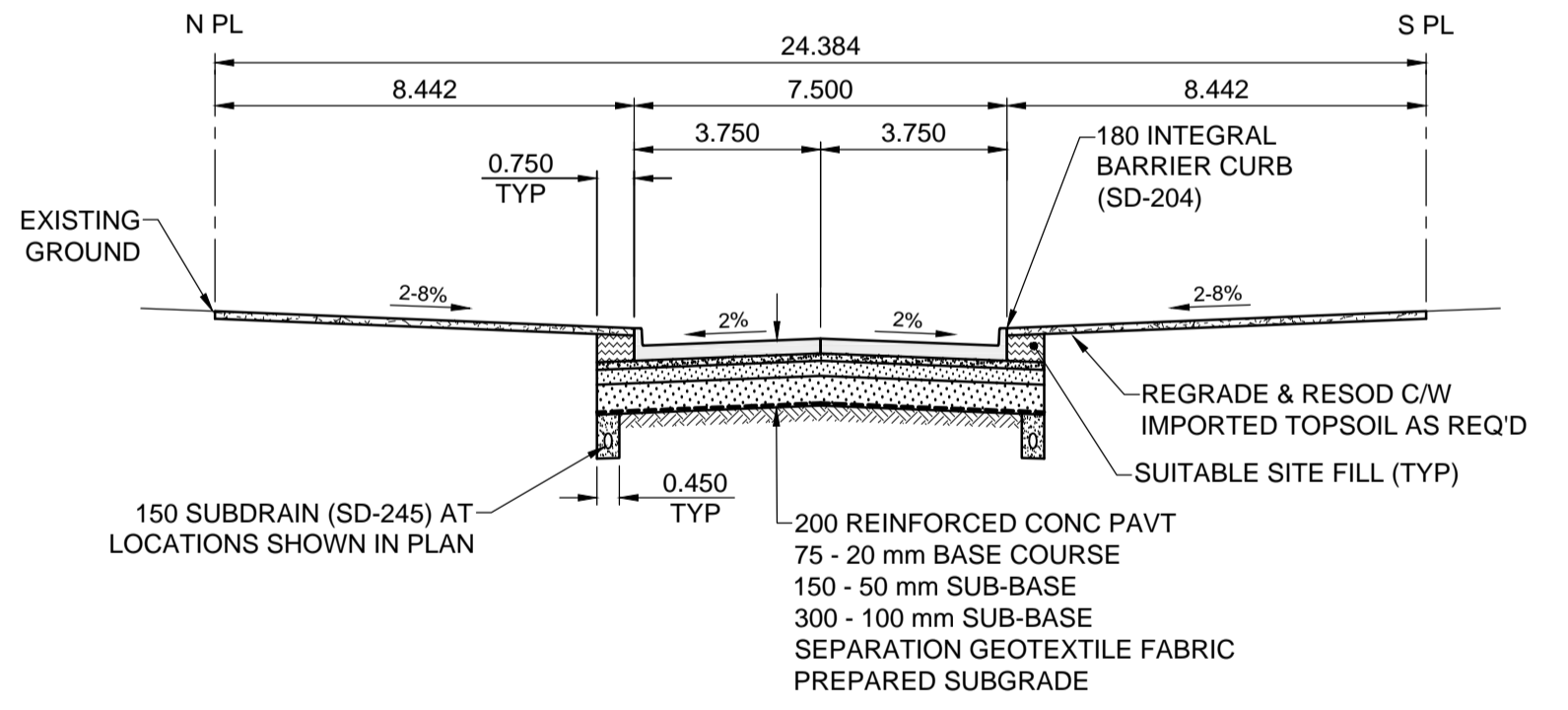
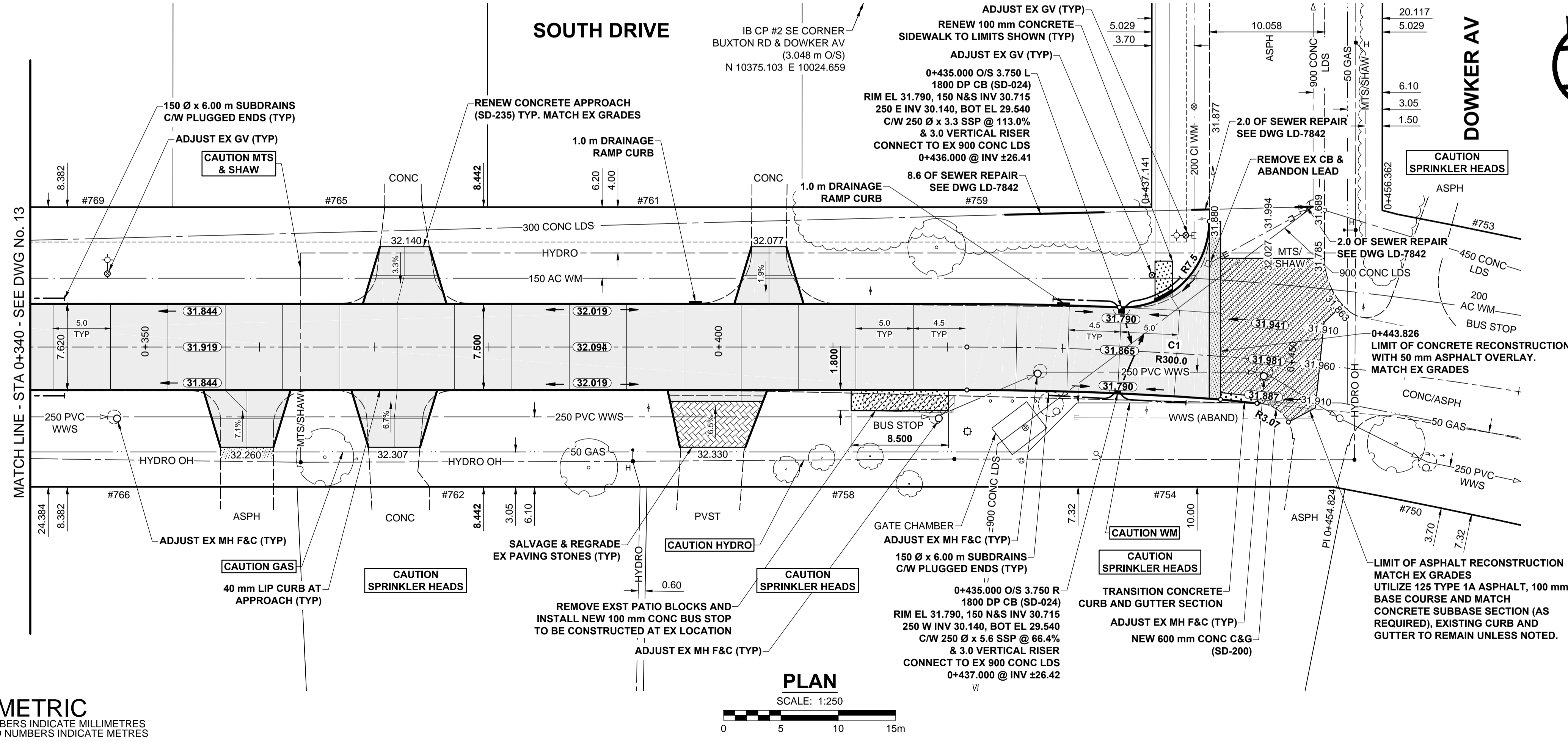
PAVEMENT PROFILE
VERTICAL SCALE: 1:10

SOUTH DRIVE

DOWCKER AV



CONTROL LINE - CURVES				
CURVE	RADIUS	LENGTH	DELTA	TANGENT
C1	300.000	81.974	15°39'21"	41.244



TYPICAL PAVEMENT SECTION
CONCRETE PAVEMENT STRUCTURE
SCALE: NTS

METRIC
WHOLE NUMBERS INDICATE MILLIMETRES
DECIMALIZED NUMBERS INDICATE METRES

EXISTING	LEGEND - PLAN	NEW	EXISTING	LEGEND - PLAN	NEW	EXISTING	LEGEND - PLAN	NEW	
	GAS		MANHOLE		CONCRETE PAVEMENT		LOCATION APPROVED		BM 64-026 S.E. Cor. of South Dr. & Crane Ave., 19 mm dia., x ELEV 232.192 m 6.1 m I.B. in Valve Box, 2.0 m N. of S.L. Crane Ave.
	MTS HANDWELL/PEDESTAL		CATCH BASIN/CATCH PIT		CONC SIDEWALK/MEDIAN		SUPR. LIG STRUCTURES COMMITTEE		HYDRO HANDWELL/CABINET
	HYDRO HANDWELL/CABINET		TREE		ASPHALT PAVEMENT		NOTE:		CATV/FIBRE OPTIC
	TRAFFIC SIGNALS/PIT		TEST HOLE		PAVING STONE		LOCATION APPROVED		LAND DRAINAGE SEWER
	LAND DRAINAGE SEWER		PROPERTY LINE		GRAVEL		LOCATION APPROVED		SANITARY/COMBINED SEWER
	SANITARY/COMBINED SEWER		SURVEY BAR		RAMP CURB		LOCATION APPROVED		CB LEAD/SSP/DCP
	CB LEAD/SSP/DCP		FENCE		PLANING/REMOVAL		LOCATION APPROVED		WATERMAIN
	WATERMAIN		BOC/EDGE OF PAVEMENT		EXISTING		LOCATION APPROVED		SUBDRAIN
	SUBDRAIN		ELEVATION		NEW		LOCATION APPROVED		DITCH
	DITCH		TRAFFIC SIGN		EXISTING		LOCATION APPROVED		

LOCATION APPROVED
UNDERGROUND STRUCTURES

SUPR. LIG STRUCTURES COMMITTEE DATE

NOTE:
LOCATION OF UNDERGROUND STRUCTURES AS SHOWN ARE BASED ON THE BEST INFORMATION AVAILABLE BUT NO GUARANTEE IS GIVEN THAT ALL EXISTING UTILITIES ARE SHOWN OR THAT THE GIVEN LOCATIONS ARE EXACT. CONFIRMATION OF EXISTENCE AND EXACT LOCATION OF ALL SERVICES MUST BE OBTAINED FROM THE INDIVIDUAL UTILITIES BEFORE PROCEEDING WITH CONSTRUCTION.

No.	REVISIONS	DATE	BY
C	REVISED FOR ADDENDUM 1	16/05/03	RPB
B	ISSUED FOR TENDER	16/04/26	RPB
A	ISSUED FOR CLIENT REVIEW	16/04/19	RPB

MORRISON HERSHFELD

DESIGNED BY: RPB
CHECKED BY: WRJ

DRAWN BY: KMB
APPROVED BY: BWB

RELEASED FOR CONSTRUCTION

DATE: 16/04/19

PROFESSIONAL'S SEAL

PROVINCE OF MANITOBA

R.P. BRUCE

REGISTERED PROFESSIONAL ENGINEER

CONSULTANT FILE NAME: W160015-South-PP-03.dwg

THE CITY OF WINNIPEG
PUBLIC WORKS DEPARTMENT
ENGINEERING DIVISION

2016 LOCAL STREETS PACKAGE
SOUTH DRIVE
CRANE AV TO DOWCKER AV
CONCRETE RECONSTRUCTION
HORIZONTAL AND VERTICAL ALIGNMENT
STA 0+340 TO DOWCKER AV

CITY DRAWING NUMBER: N/A
SHEET 14 OF 14
DRAWING No. 14 REV C

BID OPPORTUNITY No. 181-2016

K:\Proj\160015\4_Design\1_Drawing\5_Sheets\16-R-020\160015-South-PP-03.dwg Last Saved: 4/29/2016 2:10 PM by: lbeard Plot: 5/2/2016 2:33 PM by: Dave Lane