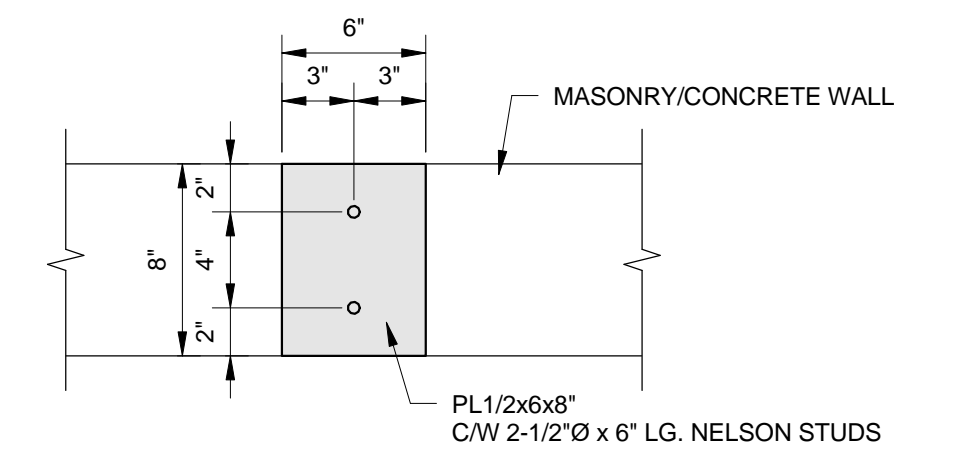
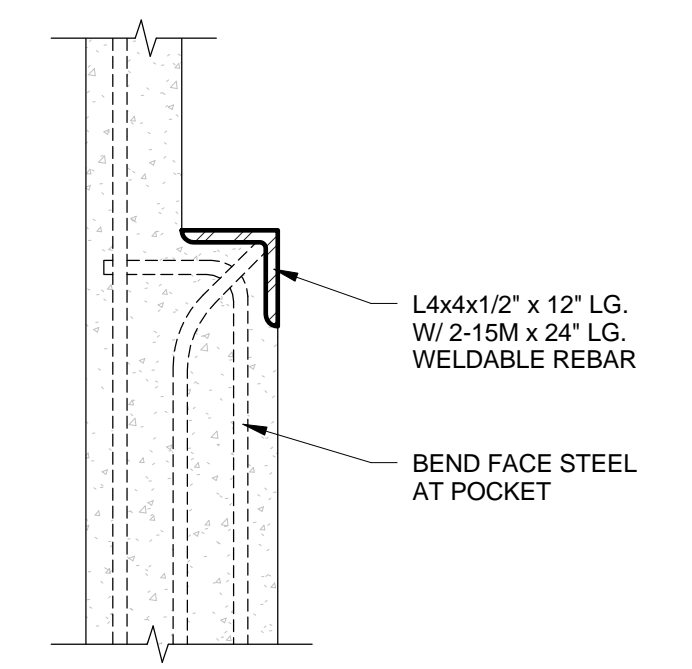


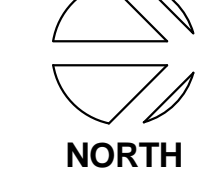
2 BR-1 PLAN DETAIL
S-2 1 1/2" = 1'-0"



3 BR-2 PLAN DETAIL
S-2 1 1/2" = 1'-0"



4 BR-3 SECTION DETAIL
S-2 1 1/2" = 1'-0"



1 ROOF FRAMING PLAN
S-2 3/32" = 1'-0"

DESIGN LOADS:
SNOW: 1.72 kPa
DEAD: 1.0 kPa
IMPORTANCE FACTOR I=1.0

NO.	DESCRIPTION	DATE	BY
2	ISSUED FOR ADDENDUM 3	2016.04.27	JCR
1	ISSUED FOR ADDENDUM 2	2016.04.27	JCR
0	ISSUED FOR CONSTRUCTION	2016.03.28	JCR
#	REVISION	DATE	BY

MASONRY WALL SCHEDULE		
MARK	TYPE	REMARKS
MW-1	8" MASONRY CONCRETE BLOCK WALL	TYPE H/15/A/M R/W 15M VERT. @ 16" O/C FILL REINF. CORES W/ MIN. 25 MPa CONCRETE HORIZ. JOINT REINF. EVERY 2ND COURSE RUNNING BOND, EVERY COURSE STACK PATTERN
MW-2	8" MASONRY CONCRETE BLOCK WALL	TYPE H/15/A/M R/W 15M VERT. @ 16" O/C FILL REINF. CORES W/ MIN. 25 MPa CONCRETE HORIZ. JOINT REINF. EVERY 2ND COURSE

- MASONRY BOND TO BE STACK PATTERN TYP.
REFER TO NOTED MARK ON PLAN: (S) - STACK PATTERN (R) - RUNNING BOND
- PROVIDE DUROWALL REINFORCING AT ALL VERTICAL BED LOC'NS
- TYP. PROVIDE BOND BEAM AT TOP OF MASONRY WALL R/W 2-15M HORIZ. AND @ 4'-0" O/C HORIZONTALLY AT STACK PATTERN LOC'NS
- TYP. FILL ALL CORES FILLED FULL HEIGHT SOLID W/ MIN. 25 MPa CONCRETE W/ 1-15M VERT. EA. CORE AT EXT. WALLS LESS THAN 100 WIDE
- TYP. ALL MASONRY PARTITION WALLS R/W 1-15M VERT. @ 16" O/C FULL HEIGHT FILL W/ MIN. 25 MPa CONCRETE
- TYP. FILL ALL CORES FILLED FULL HEIGHT SOLID W/ MIN. 25 MPa CONCRETE AT FIREWALLS AS SHOWN BY ARCH
- TYP. PROVIDE MATCHING VERT. DOWELS INTO GRADE BEAM, CONCRETE WALL, OR CONCRETE BEAM BELOW
- TYP. PROVIDE L3x4 @ MASONRY WALL ATTACHMENTS ABOVE MAIN FLOOR FOR CURTAIN WALL

MASONRY COLUMN SCHEDULE	
MARK	TYPE
MC-1	8" x 16" (TO U/S DECK) H/15/A/M R/W 2-15M VERT. (1 EA. CORE) FILL COL FULL HEIGHT W/ MIN. 25 MPa CONCRETE
MC-2	8" x 16" (TO U/S DECK) H/15/A/M R/W 2-15M VERT. (1 EA. CORE) FILL COL FULL HEIGHT W/ MIN. 25 MPa CONCRETE

- TYP. U.N.O. PROVIDE 2-15M VERT. EA. END OF LINTEL

MASONRY LINTEL SCHEDULE	
MARK	TYPE/REMARKS
ML-1	8" x 30" R/W 2-15M TOP, 2-15M BOTTOM W/ 10M SINGLE LEG STIRRUPS @ 16" O/C PROVIDE MIN. 8" BEARING EA. END
ML-2	8" x 24" R/W 1-15M TOP, 2-15M BOTTOM W/ 10M SINGLE LEG STIRRUPS @ 16" O/C PROVIDE MIN. 8" BEARING EA. END
ML-3	BACK-TO-BACK L5x3x7/16" LLV C/W MASONRY STRAPS @ 16" O/C

- TYP. U.N.O. PROVIDE MC-1 EA. END OF LINTEL

C.I.P. CONCRETE WALL SCHEDULE		
MARK	TYPE	REMARKS
CW-1	8" WIDE CONCRETE WALL	R/W 15M @ 10" O/C EACH WAY EACH FACE
CW-2	8" WIDE CONCRETE WALL	R/W 15M @ 10" O/C EACH WAY EACH FACE

C.I.P. CONCRETE BEAM SCHEDULE		
MARK	TYPE	REMARKS
CB-1	16" x 8" CONCRETE BEAM	R/W 2-20M TOP & BOTTOM W/ 10M STIRRUPS @ 10" O/C
CB-2	8" x 20" CONCRETE BEAM	R/W 2-20M TOP & BOTTOM W/ 10M STIRRUPS @ 10" O/C
CB-3	8" x 4'-3" CONCRETE BEAM	R/W 2-25M TOP & BOTTOM 3-15M MID. EACH FACE W/ 10M STIRRUPS @ 10" O/C
CB-4	8" x 30" CONCRETE BEAM	R/W 2-15M TOP & BOTTOM 2-15M MID. EACH FACE W/ 10M STIRRUPS @ 10" O/C

ROOF JOIST SCHEDULE		
MARK	TYPE	REMARKS
RJ-1	C6x8.2	SP. @ MAX. 6'-0" O/C
RJ-2	C8x11.5	SP. @ MAX. 6'-0" O/C

- TYP. ALL JOISTS PROVIDE MC-2 & BR-2 AT ALL MASONRY BEARING LOC'NS

COLUMN SCHEDULE		
MARK	TYPE	REMARKS
C-1	HSS5.5"Øx3/8"	C/W BPL-1 & 5.5"Ø x 3/4" TOP CAP STUB COLUMN C/W BPL-2 & 5.5"Ø x 3/4" TOP CAP
C-2	HSS3"x3"x1/4"	FILLED COURSES C/W MATCHING 1/2" CAP PL
C-3	HSS5"x3"x3/16"	FILLED COURSES C/W MATCHING 1/2" CAP PL
CC-1A	10"x10" CONCRETE COLUMN	R/W 4-15M VERT. W/ 10M STIRRUPS @ 10" O/C PROVIDE 3-15M DIAG. x 8-0" LG. @ 4" SPACING AT ALL BEAM BEARING LOC'NS
CC-2	8"x10" CONCRETE COLUMN	SIM. AS CC-1
CC-2	CONCRETE COLUMN (DIMS AS PER DETAIL)	R/W 6-15M VERT. 10M STIRRUPS @ 12" O/C

SPACE FRAME SCHEDULE		
MARK	TYPE/REMARKS	
SF-1	28" DP. STEEL SPACE FRAME ROOF SYSTEM C/W HSS2.5x2.5x1/4" TRANSVERSE PURLINS @ 4'-9.675" O.C PARALLEL GRID 'A' & 'B'	

- ENSURE SEALED SPACE FRAME SHOP DRAWINGS PROVIDED FOR REVIEW PRIOR TO PILE PLACEMENT

STEEL DECK SCHEDULE		
MARK	TYPE	REMARKS
D-1	1 1/2" x 18 Ga. STEEL DECK	#10 SCREW SIDEPLATES @ 6" O/C, 36/11 SUPPORT PATTERN 3/4"Ø FUSION WELDS ALONG ALL EDGES @ 6" O/C C/W PERIMETER ANGLE AS NOTED ON PLAN
D-2	1 1/2" x 22 Ga. STEEL DECK	#10 SCREW SIDEPLATES @ 6" O/C, 36/11 SUPPORT PATTERN 3/4"Ø FUSION WELDS ALONG ALL EDGES @ 6" O/C C/W PERIMETER ANGLE AS NOTED ON PLAN
D-3	3" x 16 Ga. STEEL DECK	#10 SCREW SIDEPLATES @ 6" O/C, 36/11 SUPPORT PATTERN 3/4"Ø FUSION WELDS ALONG ALL EDGES @ 6" O/C C/W PERIMETER BENT GALV.-PL1.5x1.5x3/8" AS PER CANOPY SECTIONS PROVIDE LAPS ON HIGH RIB

STEEL FRAME SCHEDULE	
MARK	REMARKS
FR-1	W8x31 VERT. & HORIZ. C/W HSS3.5x2.5x1/4" ALONG VERT. & HORIZ. OR BENT U-PLATE AS PER ARCH

WOLFROM ENGINEERING LTD
CONSULTING ENGINEERS
345 WARDLAW AVENUE
WINNIPEG, CANADA R3L 0L5
(204) 452-0041 FAX: 294-8980
E-Mail: info@wolfromeng.com



JOB TITLE
WINDSOR PARK LIBRARY

DRAWING TITLE
ROOF FRAMING PLAN

DRAWN BY	SCALE	DRAWING NO.
MNF	As indicated	S-2
FILE NO. <td>DATE <td>REVISION NO.</td> </td>	DATE <td>REVISION NO.</td>	REVISION NO.
W15033	APRIL 27, 2016	2