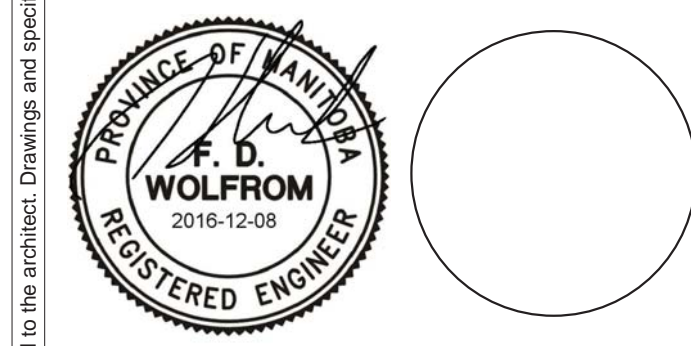


issue / rev.	
0	2016.12.08 ISSUED FOR CONSTRUCTION
#	date issued notes

professional seals



project information

SEVEN OAKS POOL RENOVATION & ADDITION
444 ADSUM DRIVE
WINNIPEG, MB
CANADA

client

CITY OF WINNIPEG
4TH FLOOR - 85 KING ST.
WINNIPEG, MB

drawing information

Sections & Details

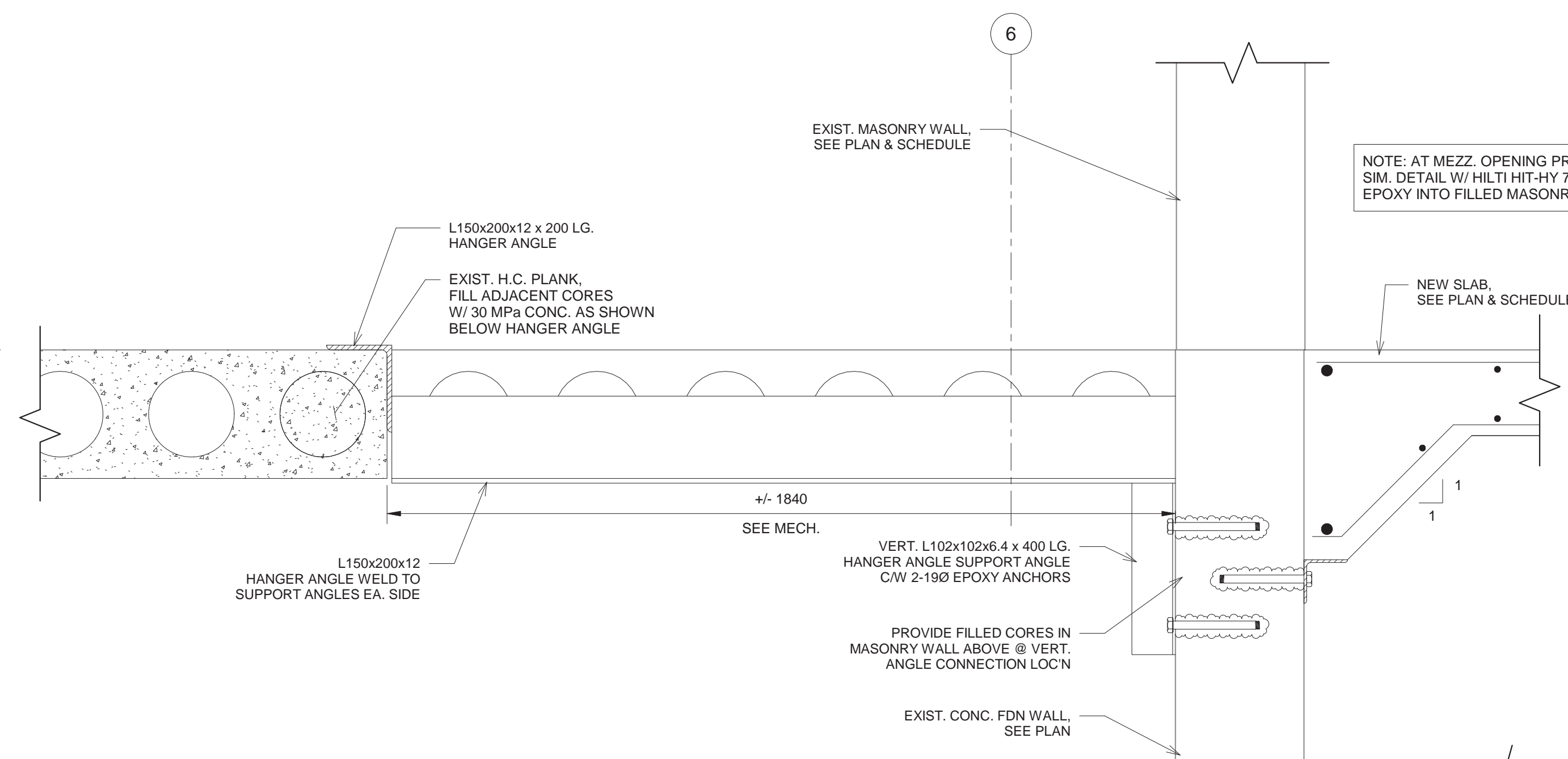
drawn by: M.B./AVP
approved by: FDW

scale: As indicated
date issued: 2016.12.08
proj. #: W14432
rev. #: 0

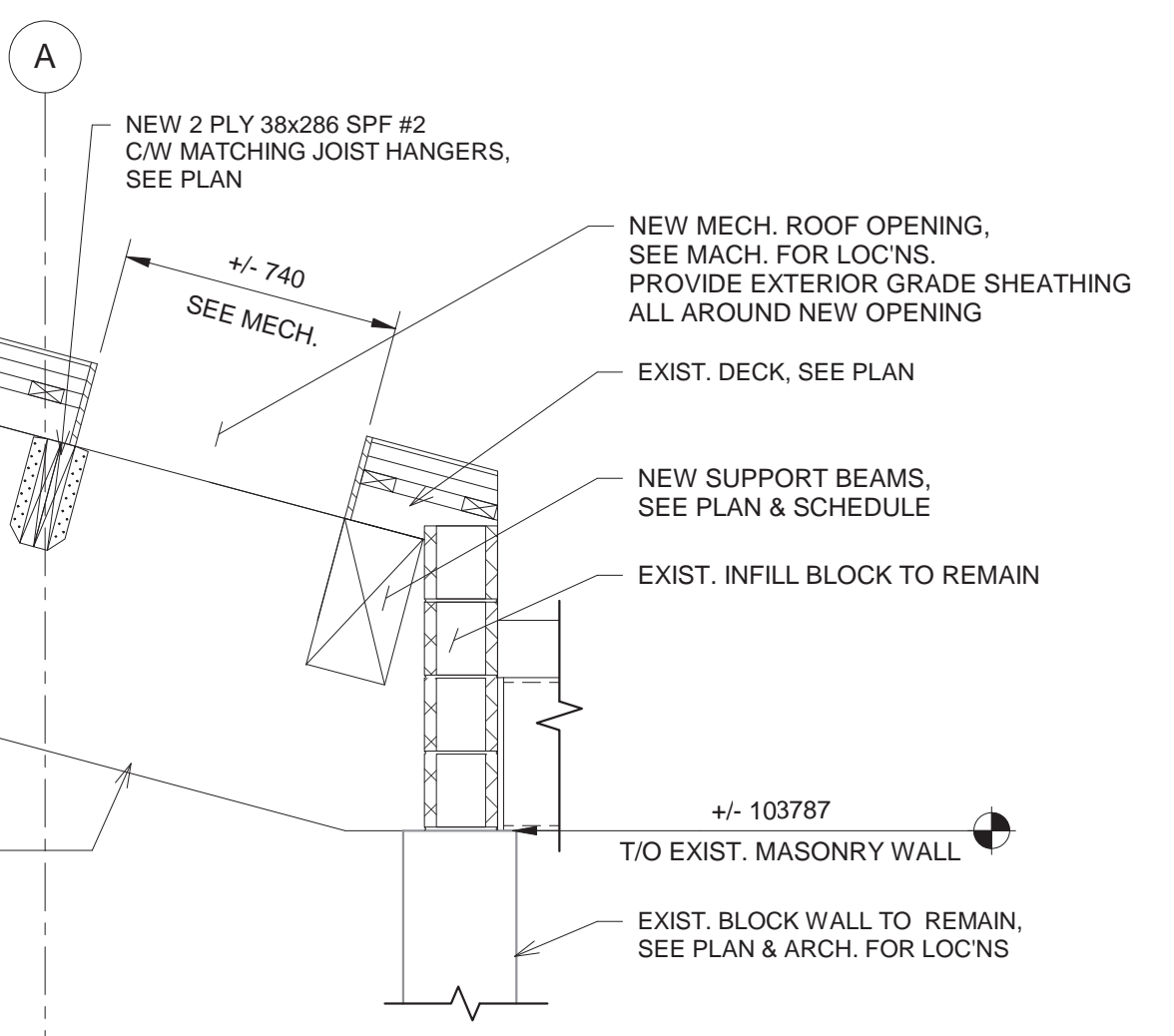
S-10

This drawing must not be scaled. The contractor shall verify all dimensions and other data on site prior to commencement of work. All discrepancies, errors, and omissions are to be reported to the architect. Drawings and specifications, as instruments or service, are the property of the architect, and when made, must bear his name. All prints to be returned to the architect on request.

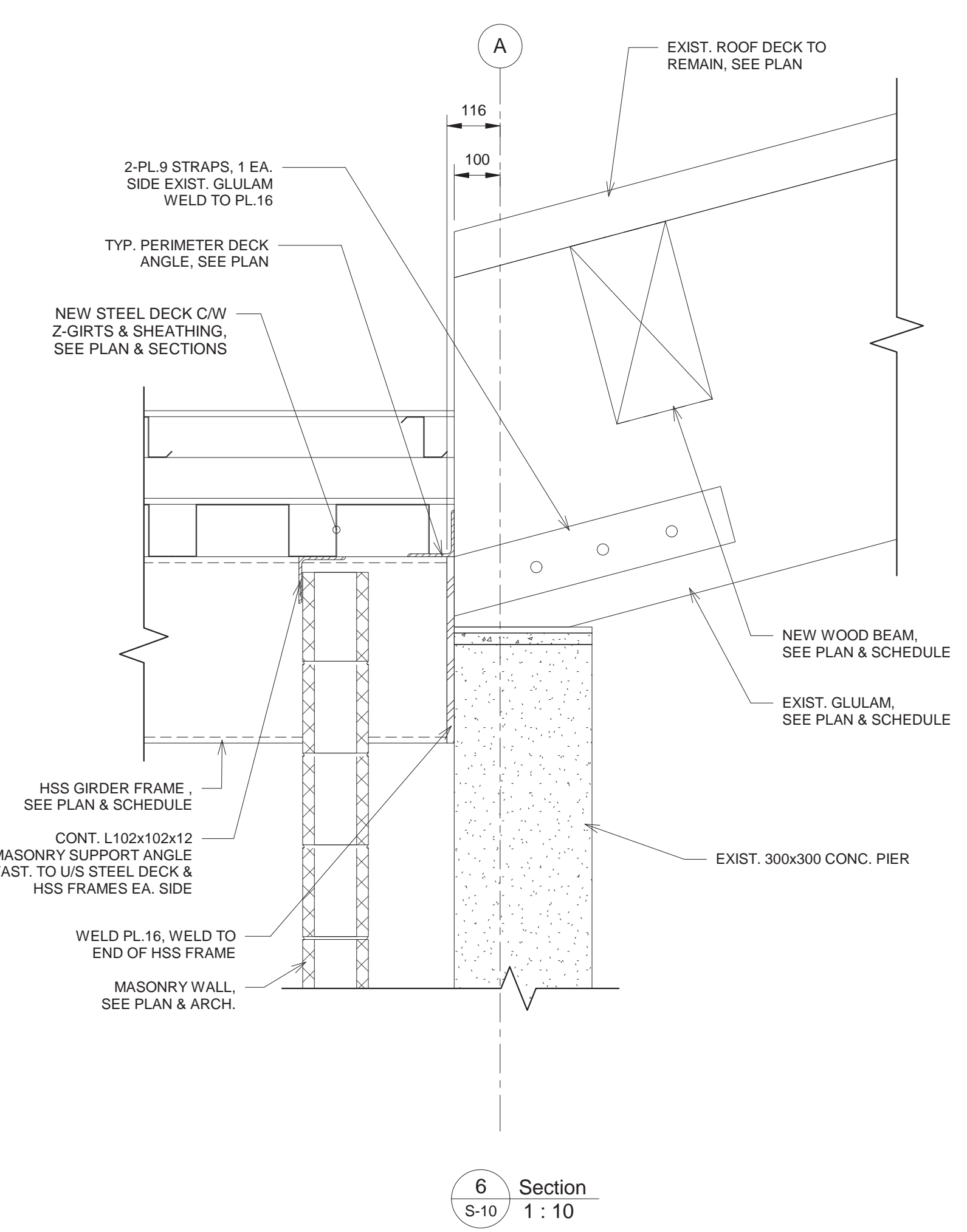
T/O MAIN FLOOR
100000



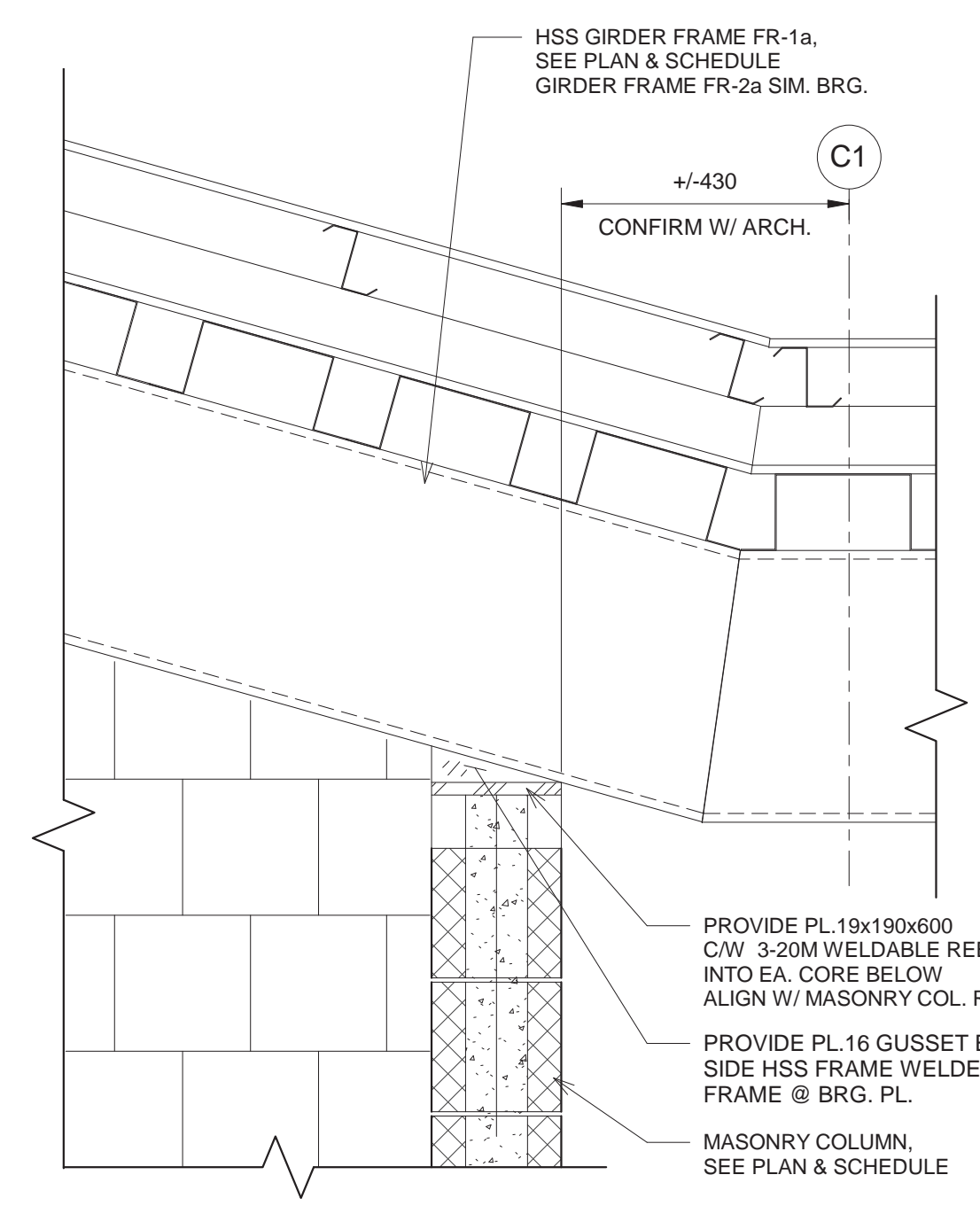
1 Section
S-10 1:10



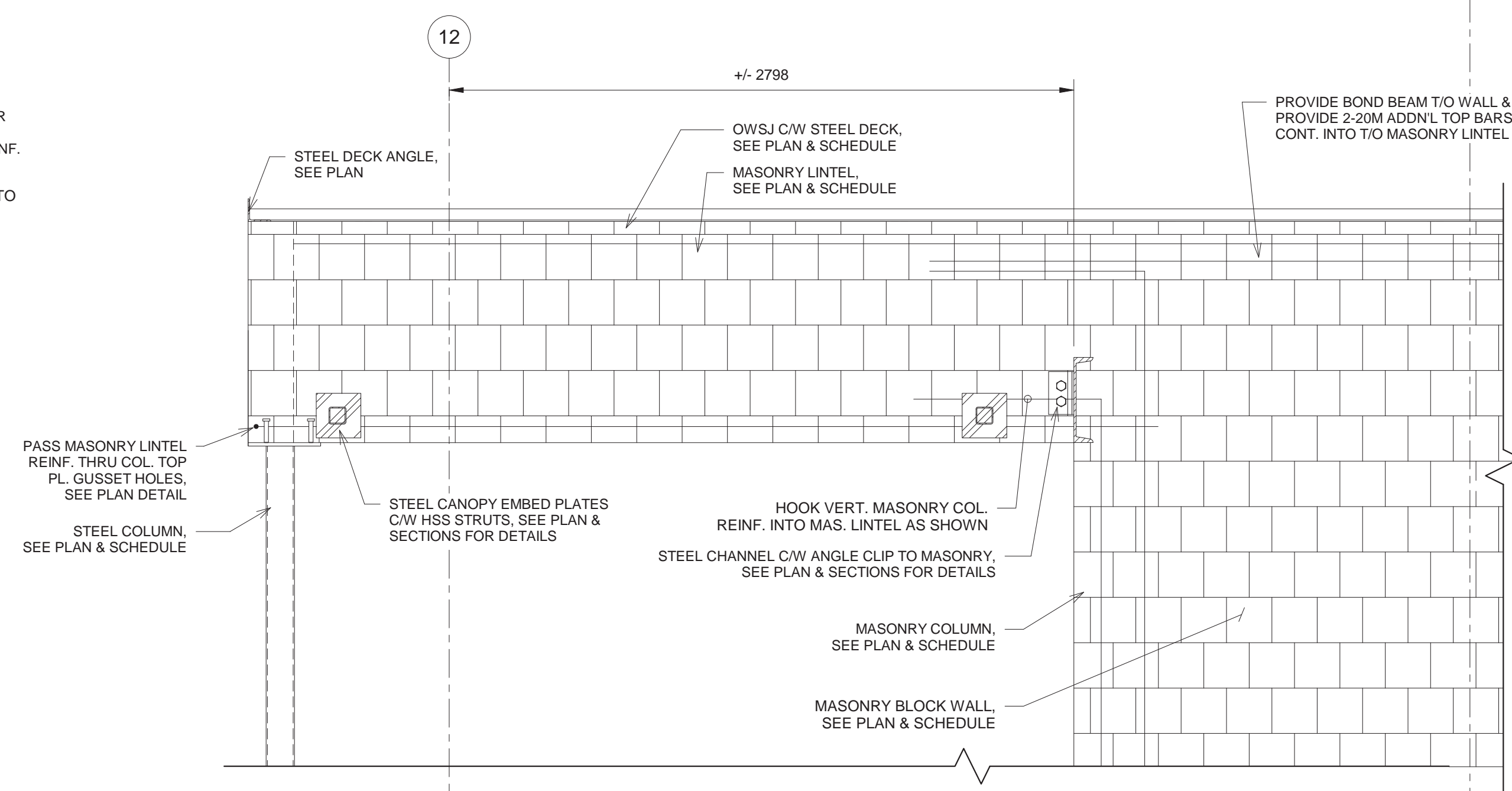
2 Section
S-10 1:20



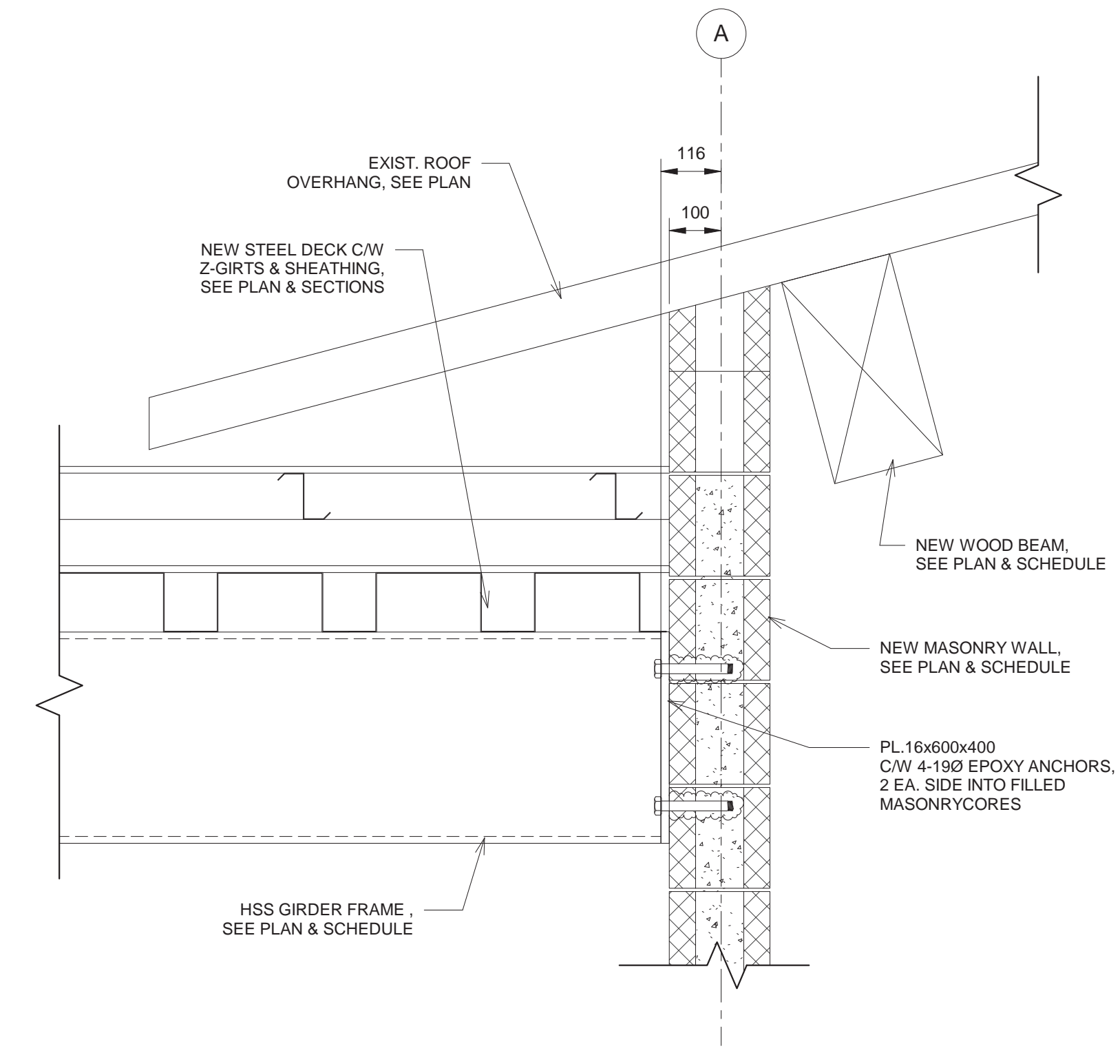
6 Section
S-10 1:10



4 Section Detail
S-10 1:10



3 Elevation Detail
S-10 1:20



5 Section
S-10 1:10

BID OPPORTUNITY NO. 1044-2016