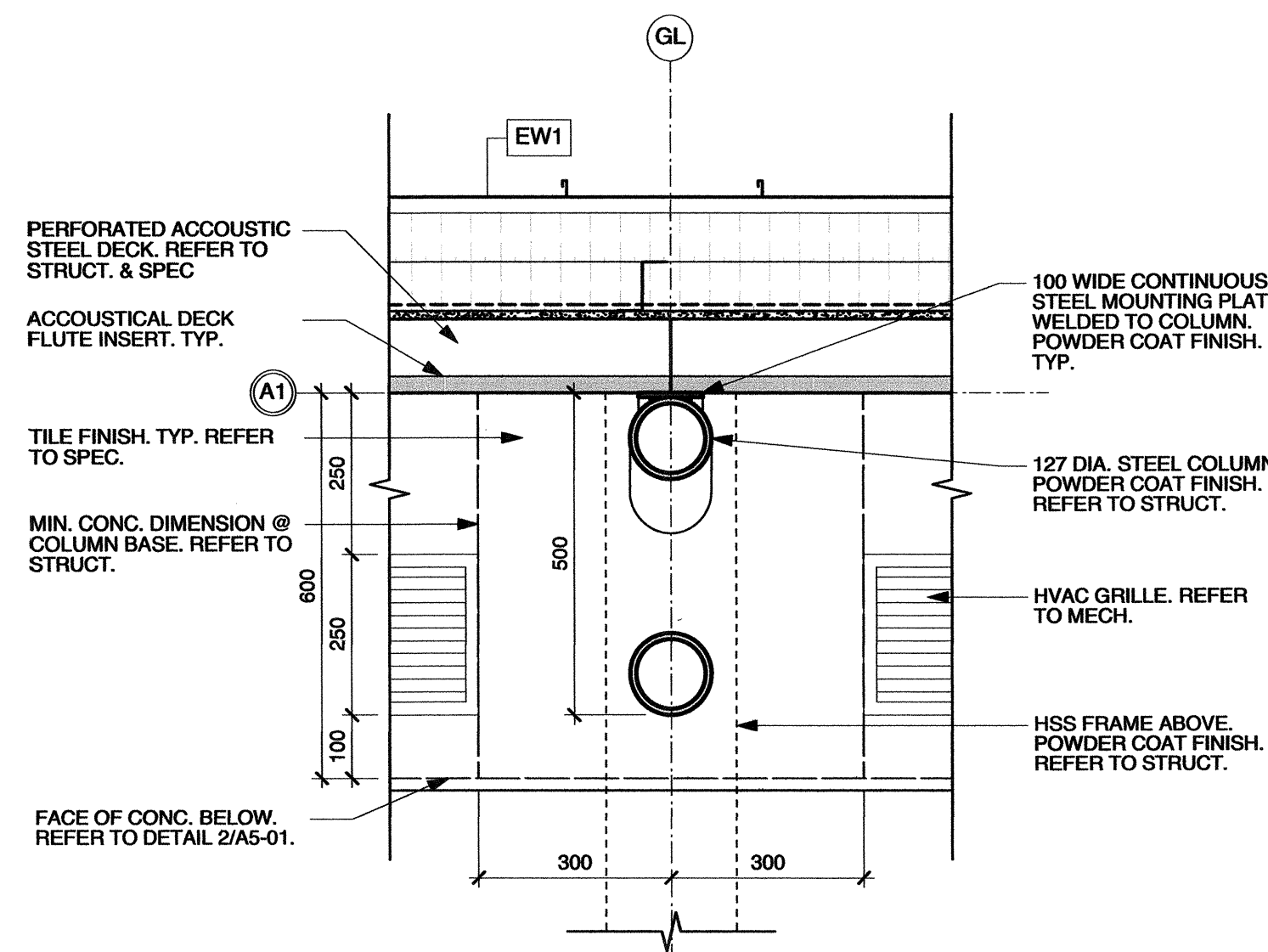
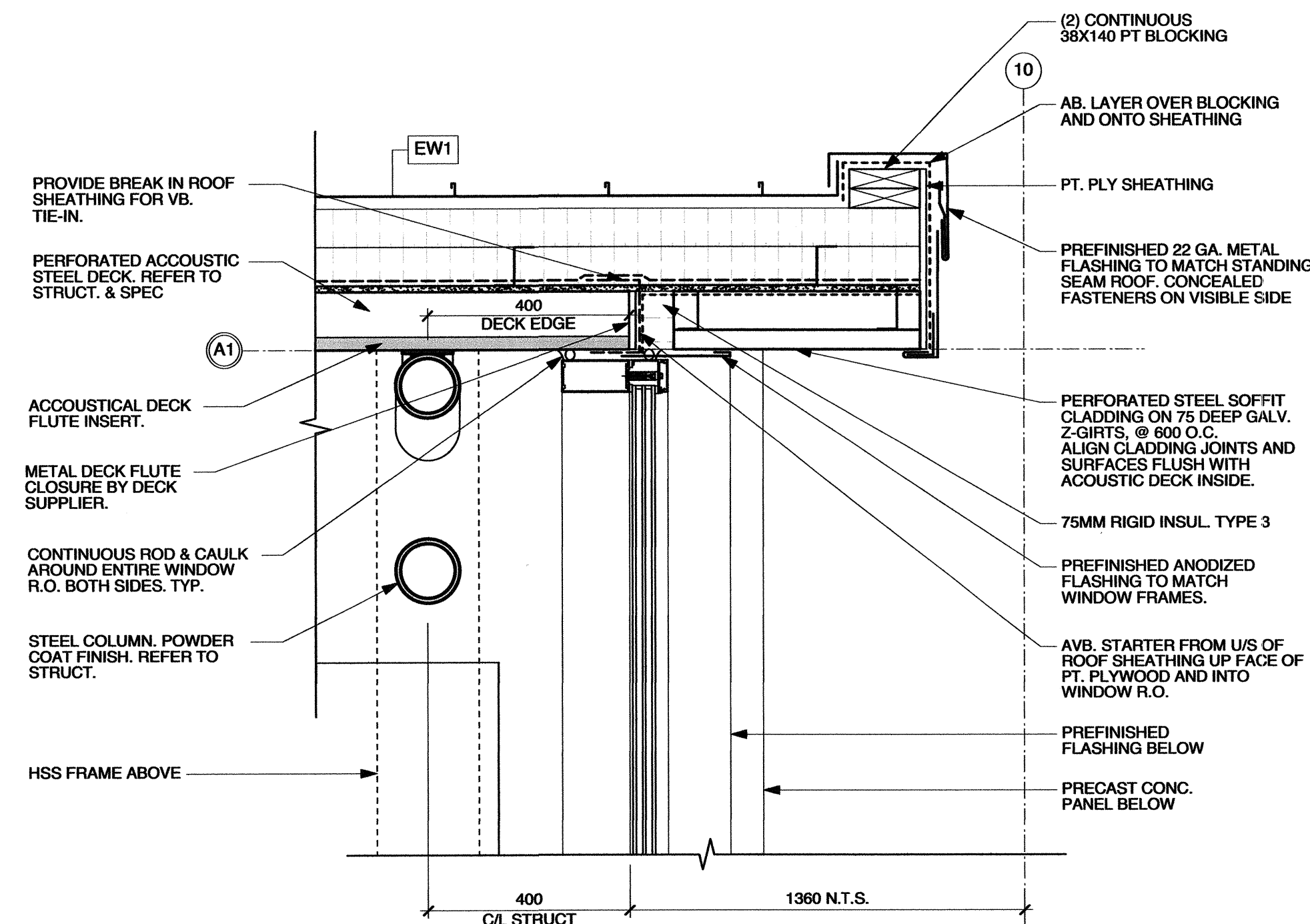


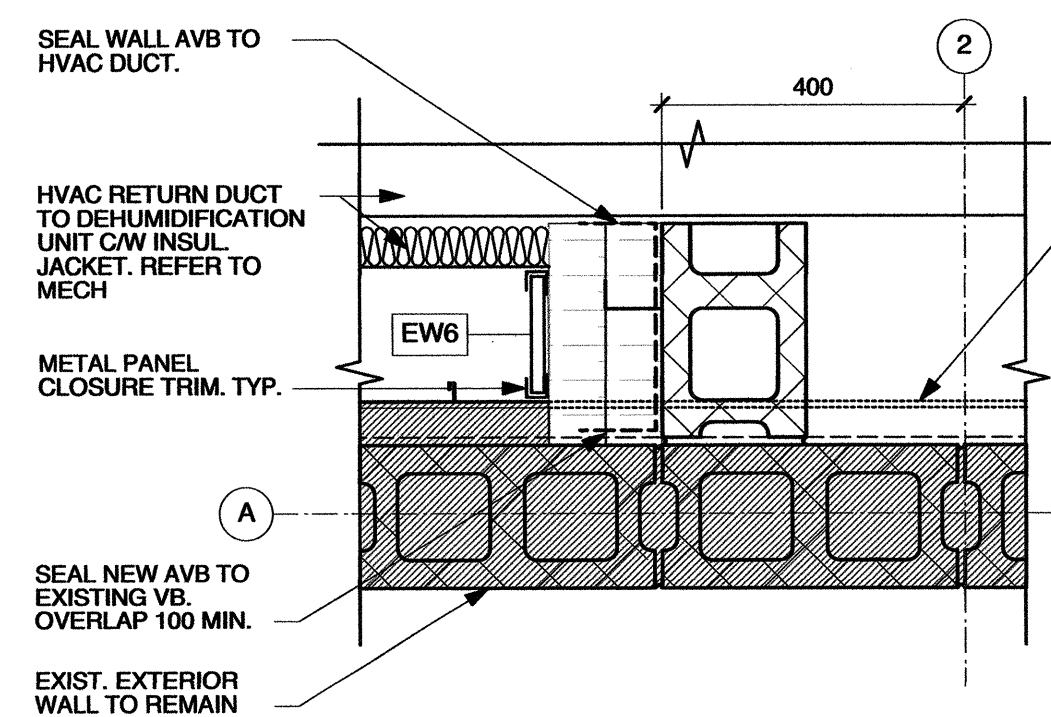
1 TYP. WINDOW JAMB @ EW1
1:10



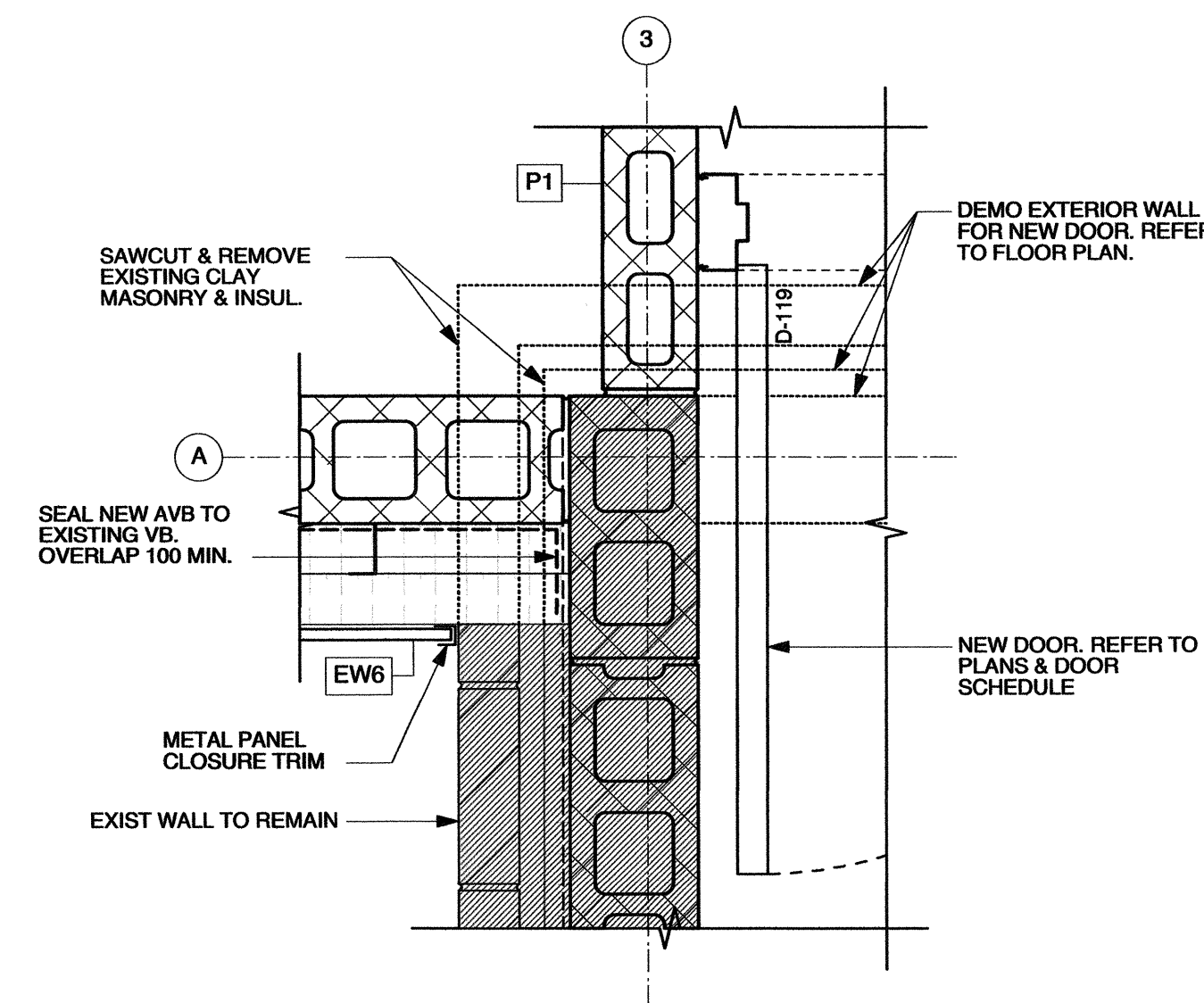
2 TYP. COLUMN DETAIL @ EW1
1:10



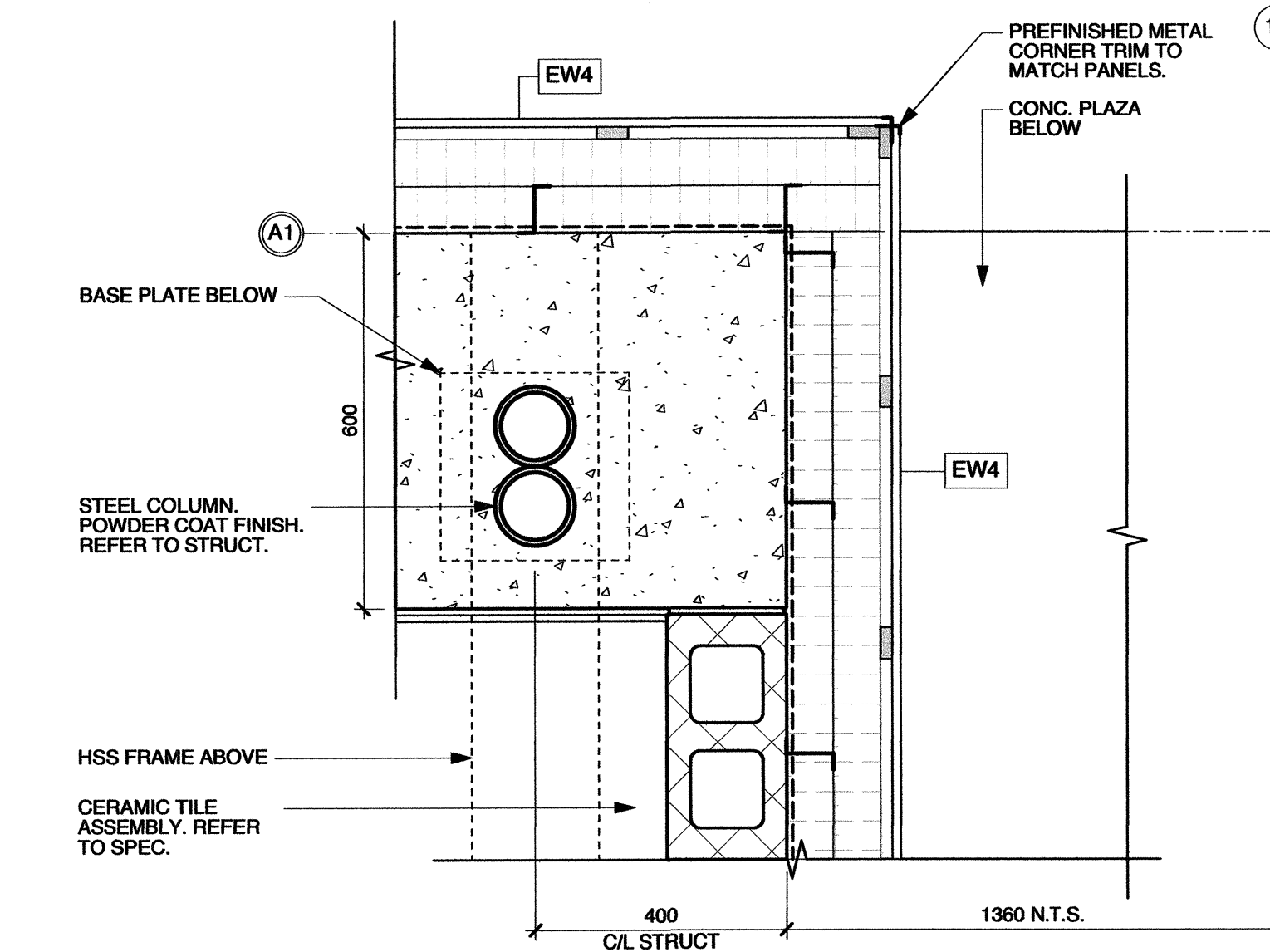
3 NORTH EAST BLDG. CORNER @ ELEV. 101 000
1:10



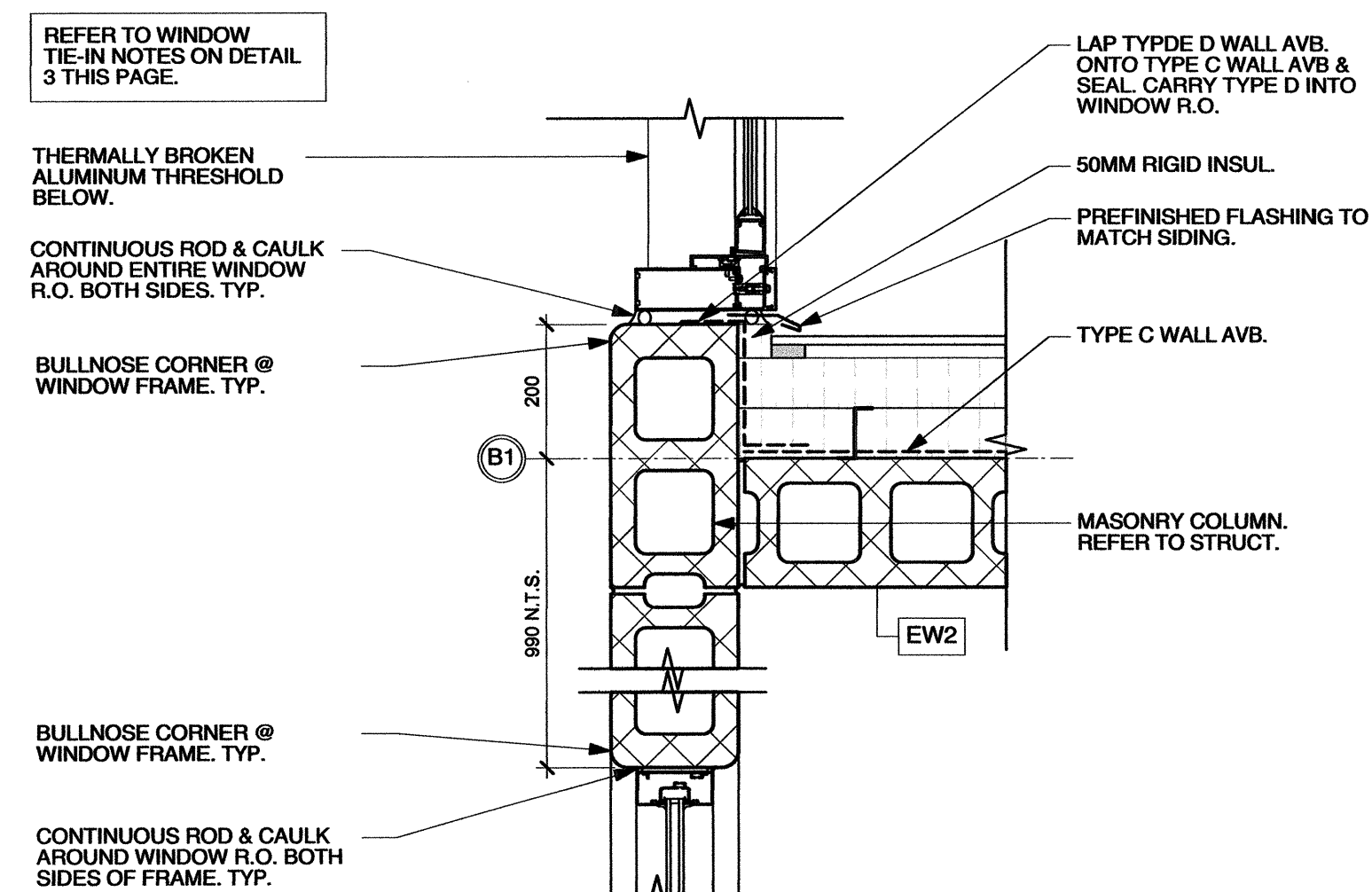
4 EW6 TIE-IN WITH EXIST. WALL @ ELEV. 103 400
1:10



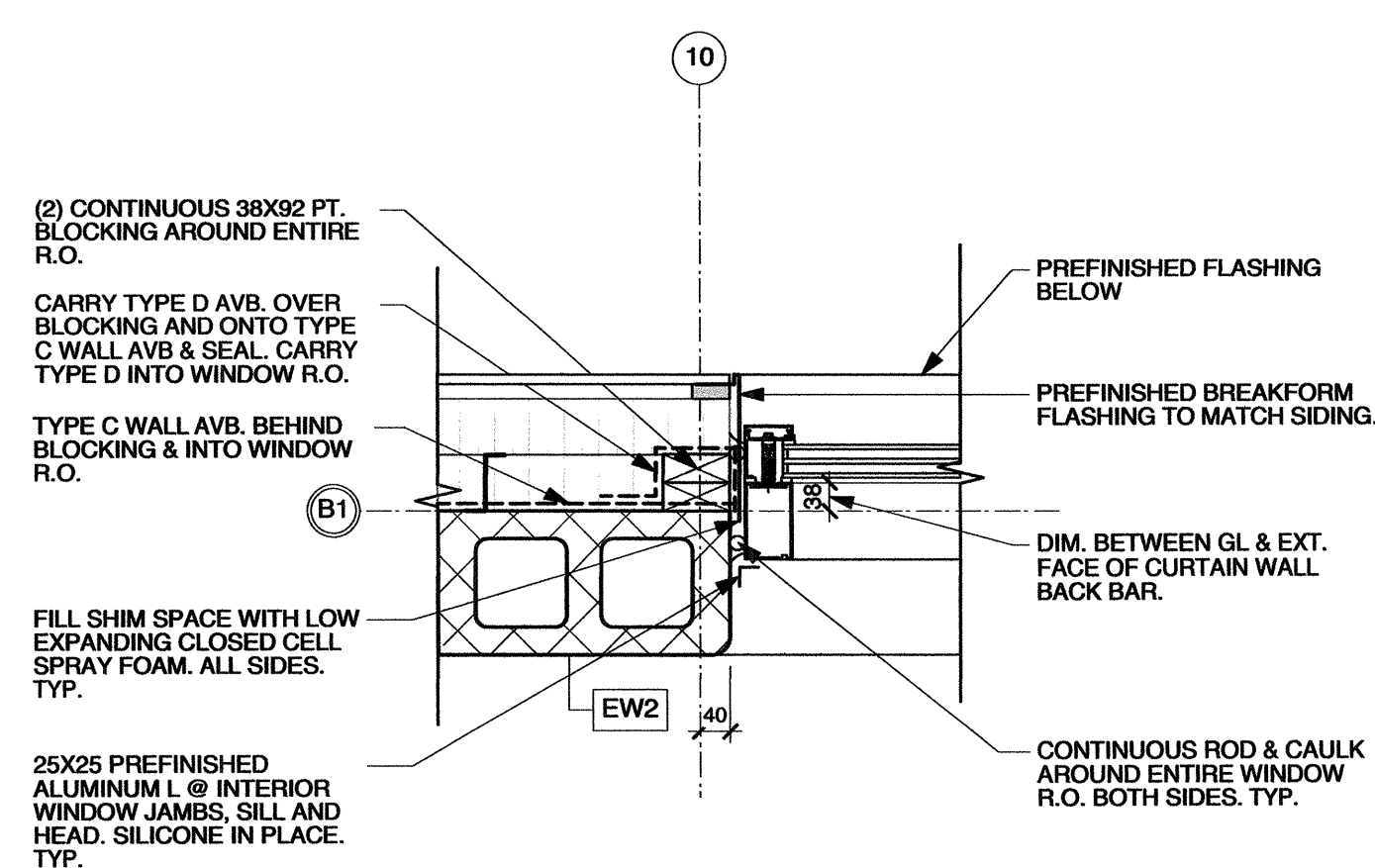
5 EW6 TIE-IN WITH EXIST WALL @ ELEV. 100 200
1:10



6 NORTH EAST BLDG. CORNER @ ELEV. 100 200
1:10



7 SPLASHPAD EXIT DOOR JAMB @ EW2
1:10

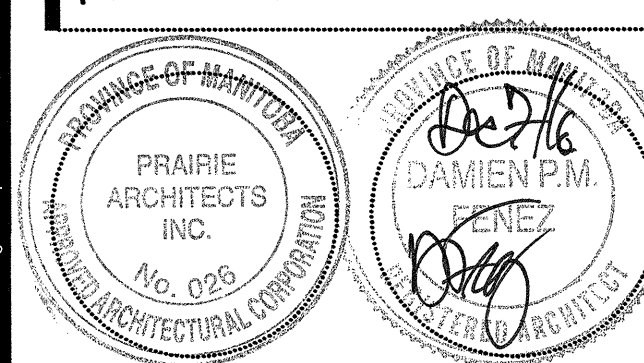


8 TYP. WINDOW JAMB @ EW2
1:10

Issue / rev.

0	2016.12.08	ISSUED FOR CONSTRUCTION
#	date	issue notes

professional seals



project information

SEVEN OAKS POOL RENOVATION & ADDITION

444 ADSUM DRIVE
WINNIPEG, MB
CANADA

client

CITY OF WINNIPEG
4TH FLOOR - 185 KING ST.
WINNIPEG, MB

drawing information

PLAN DETAILS

drawn by: JDB
approved by: DF

scale: 1:10
date issued: 2016.12.08
proj. #: 2014.66
rev. #: R-0

A6
01

This drawing must not be scaled. The contractor shall verify all dimensions and details on site prior to commencement of work. All discrepancies, errors and omissions are to be reported to the architect. Drawings and specifications are instruments of service. No reproduction may be made without the permission of the architect and when made, must bear the name. All prints to be returned to the architect on request.