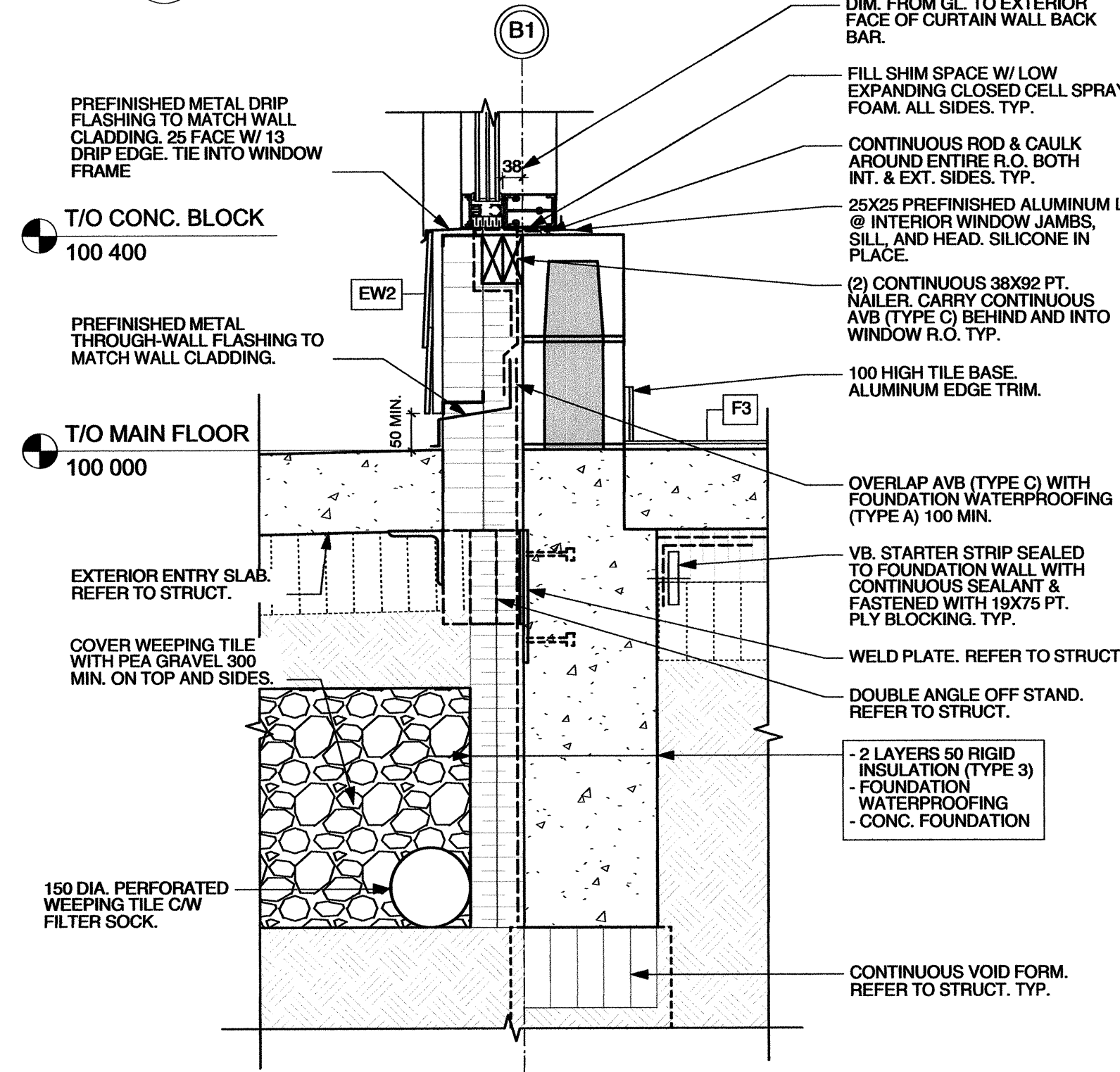
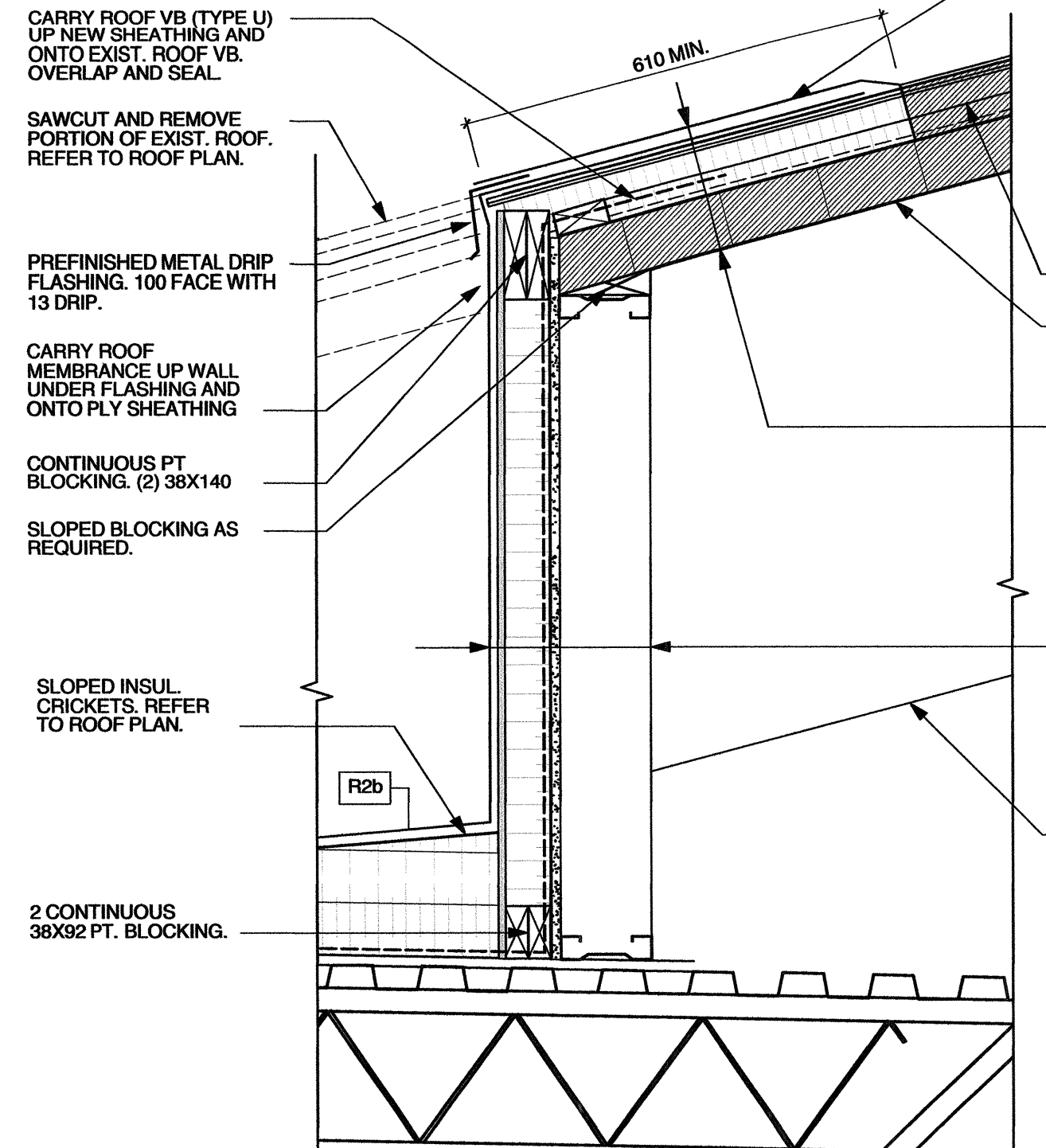


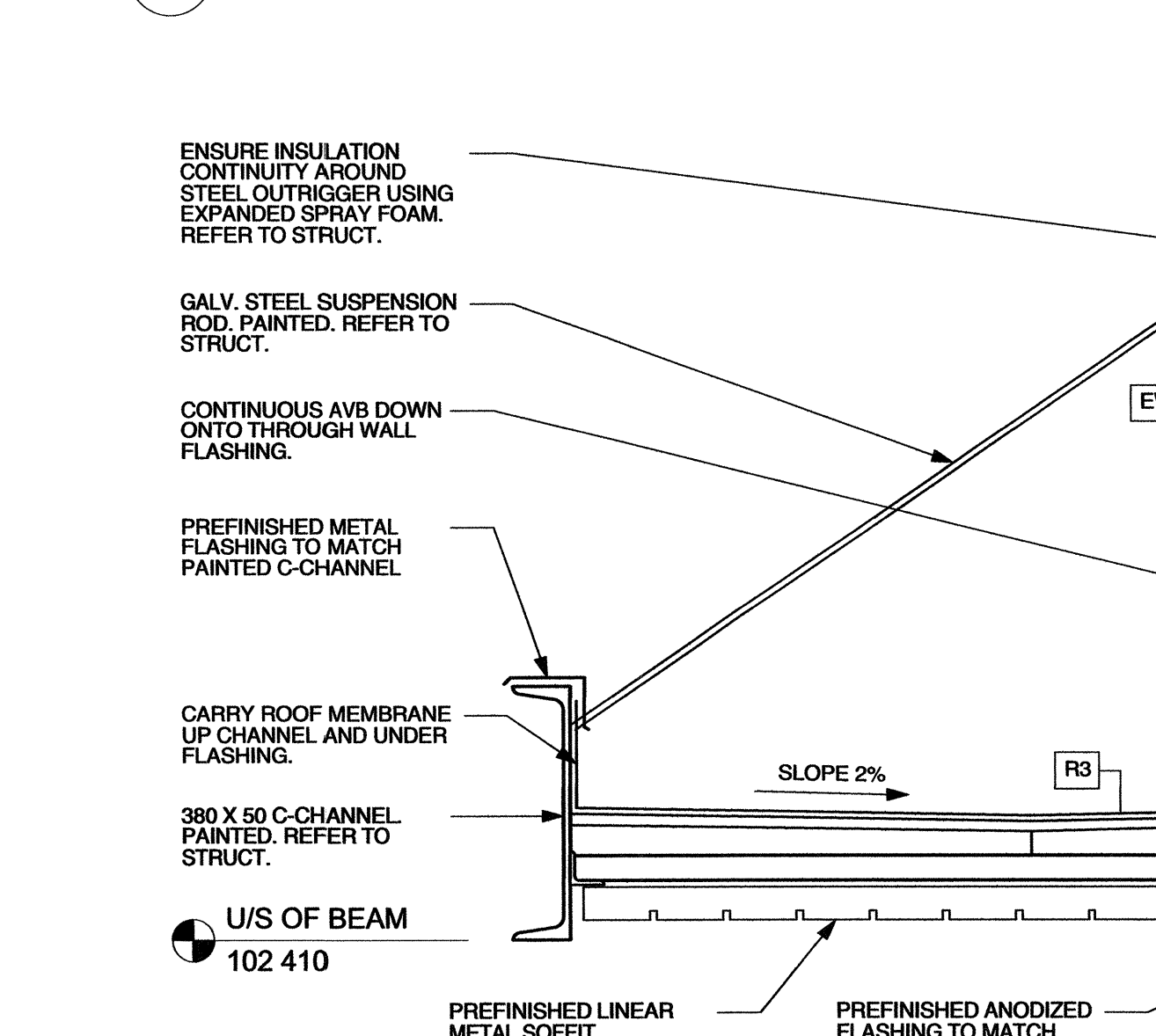
1 MPR WINDOW HEAD DETAIL
1:10



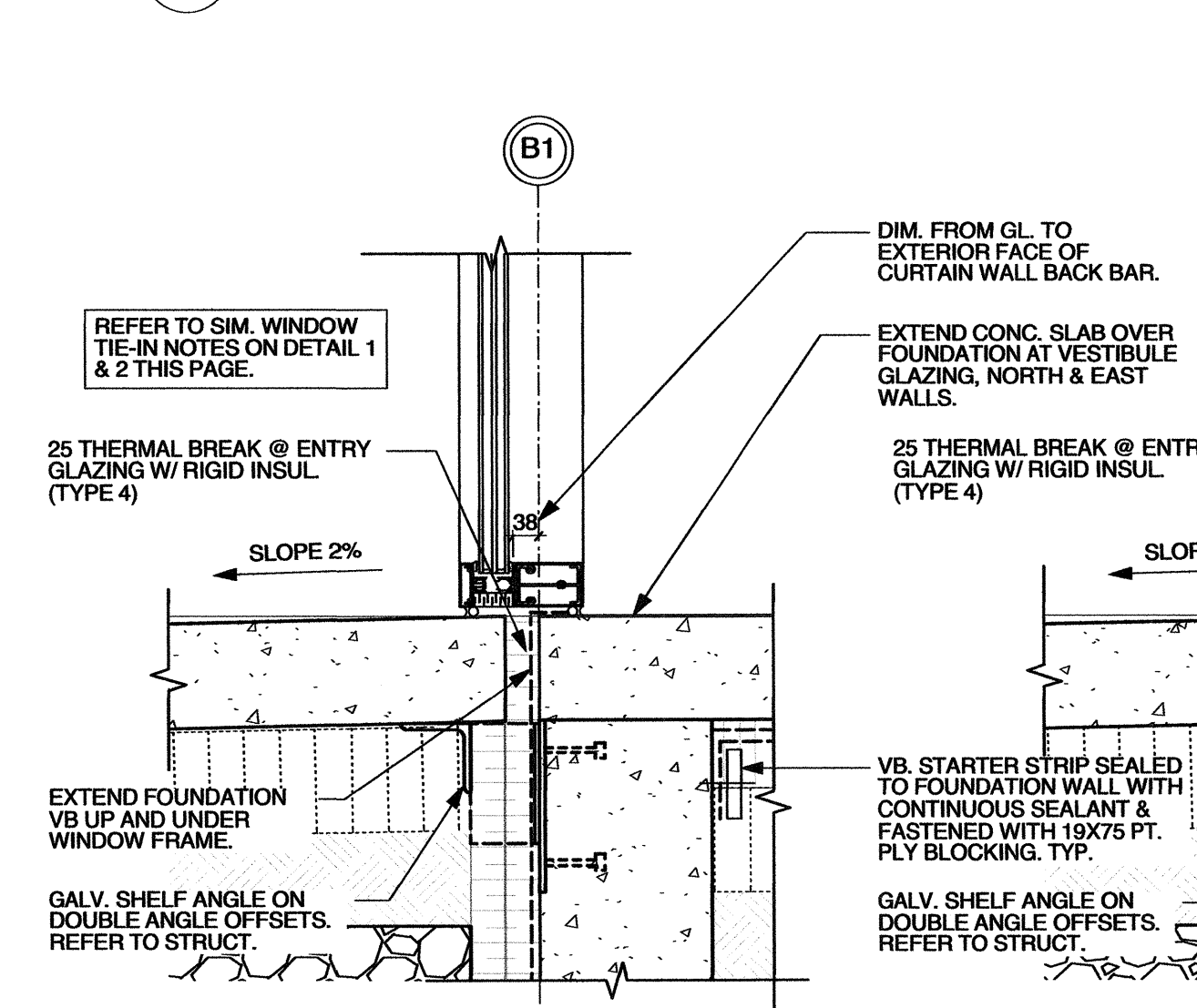
2 MPR WINDOW SILL & FOUNDATION DETAIL
1:10



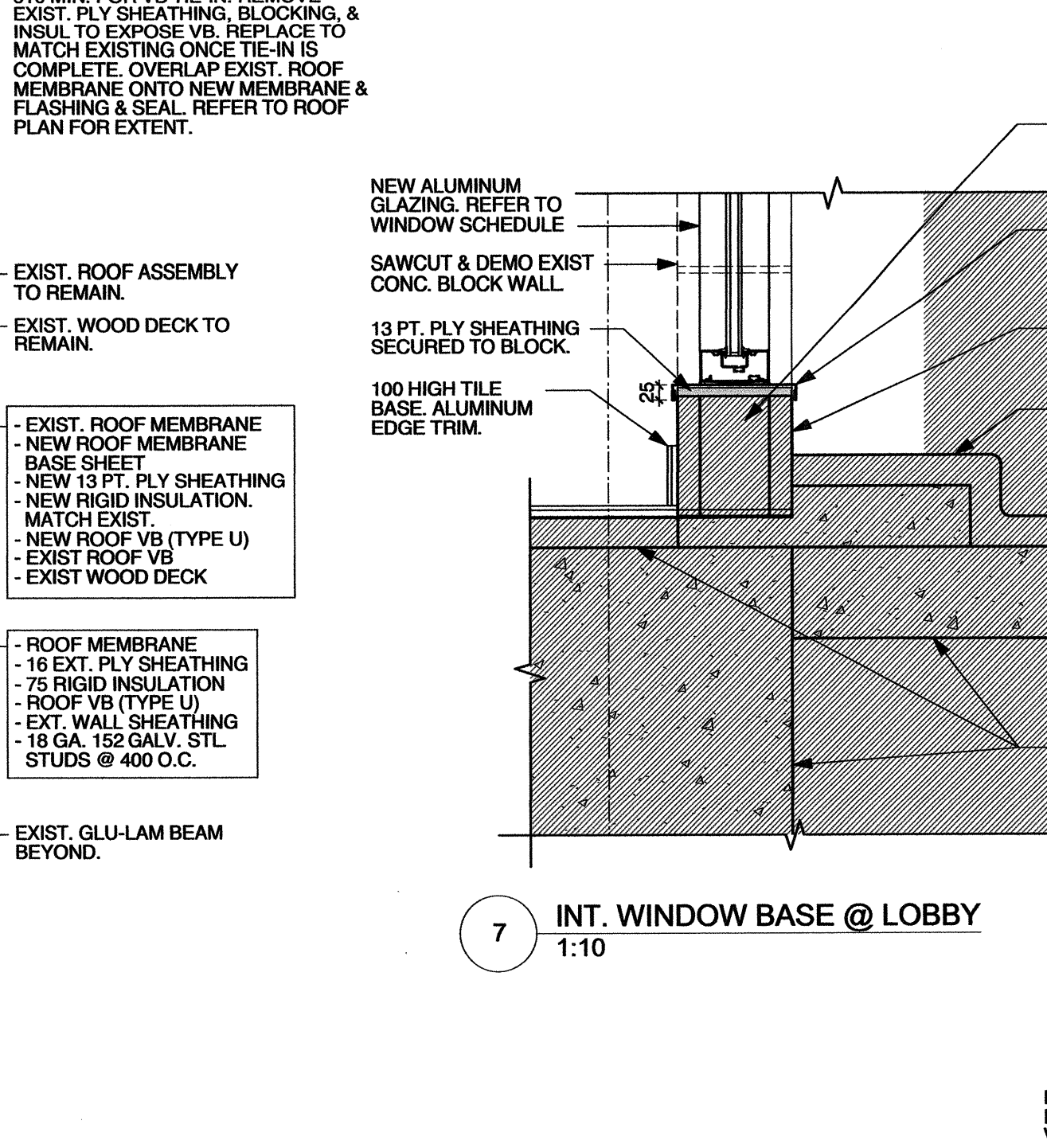
3 ROOF TRANSITION DETAIL
1:10



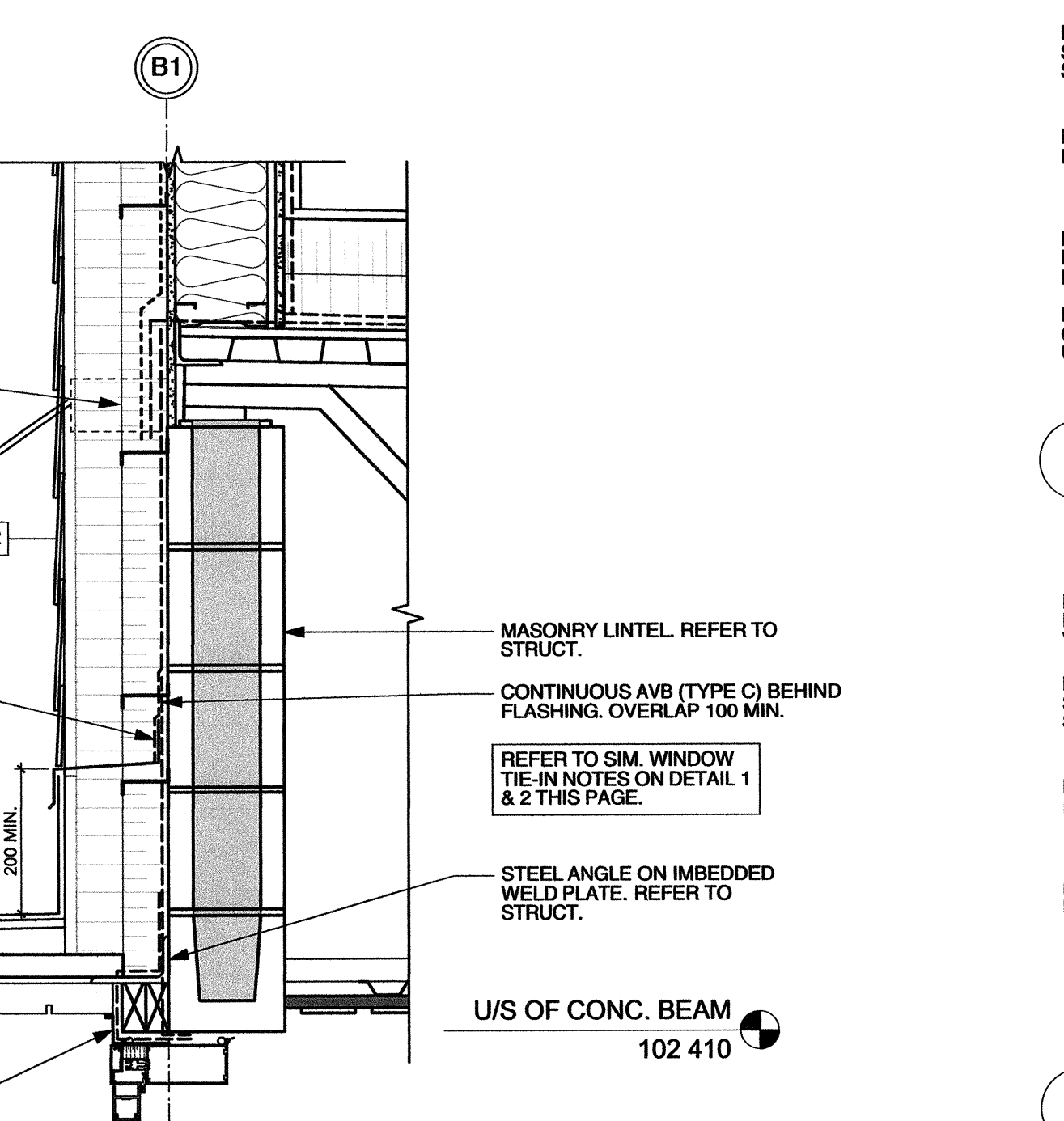
4 VEST. ENTRY CANOPY DETAIL
1:10



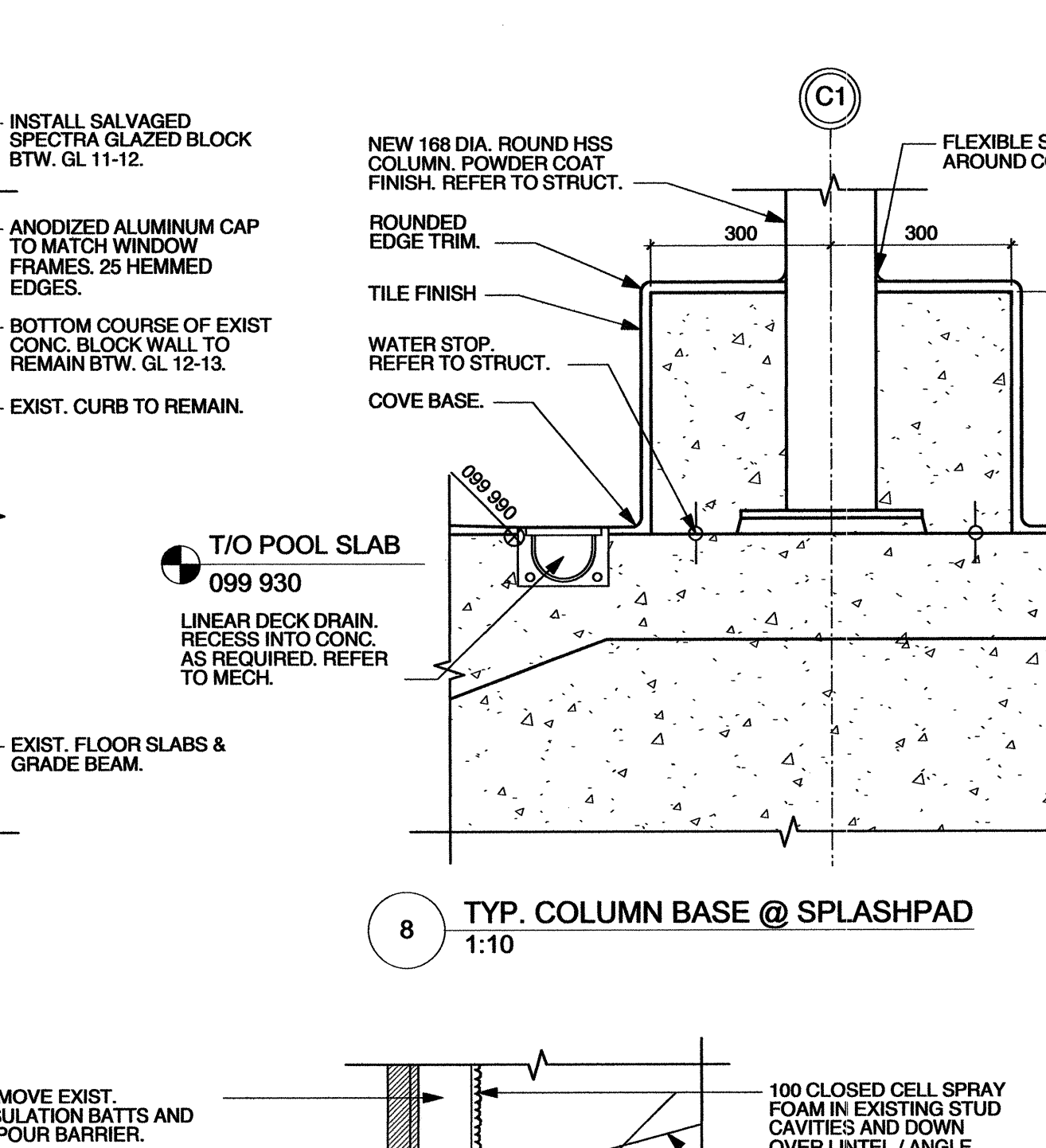
5 VEST. GLAZING SILL DETAIL
1:10



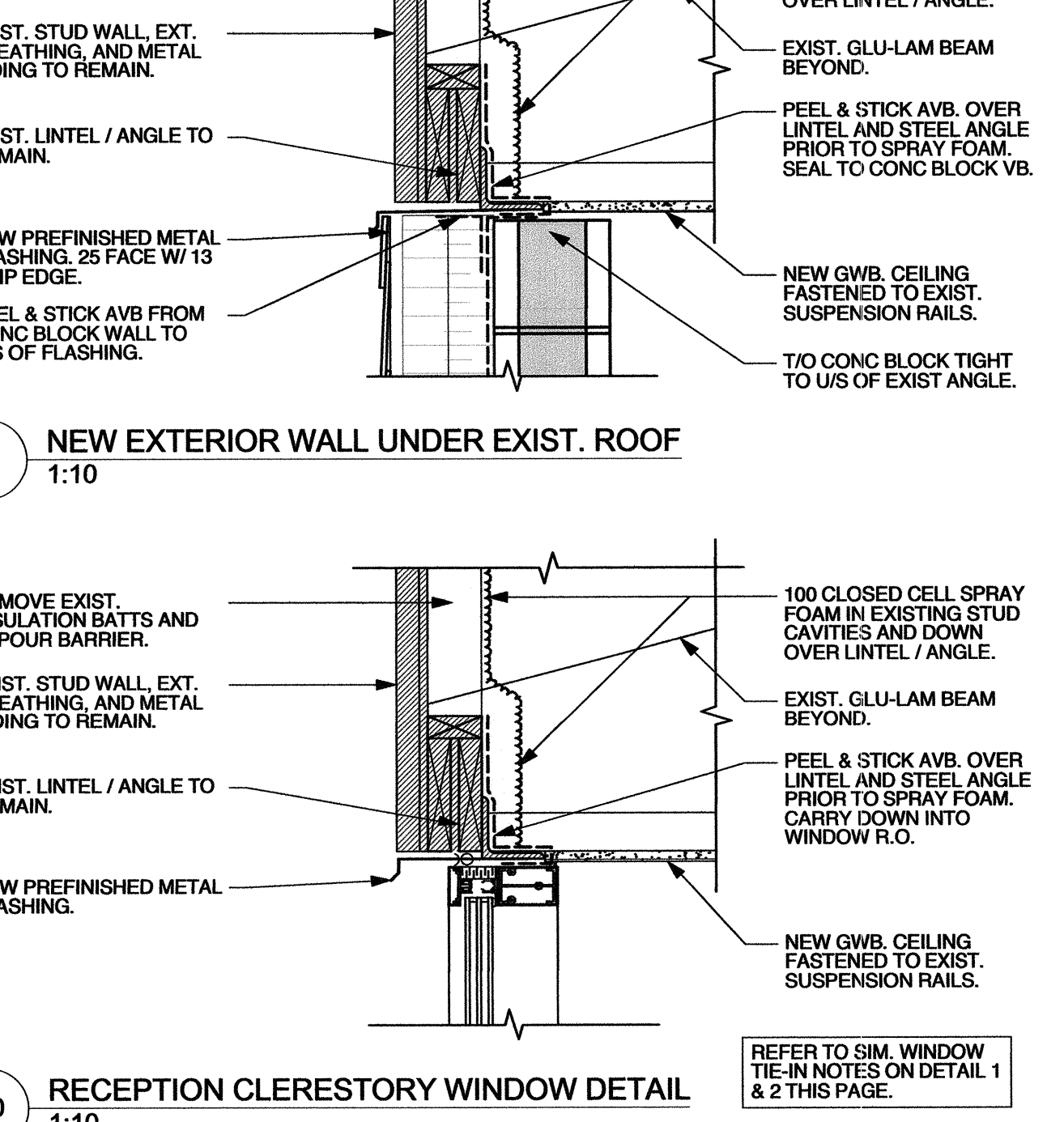
7 INT. WINDOW BASE @ LOBBY
1:10



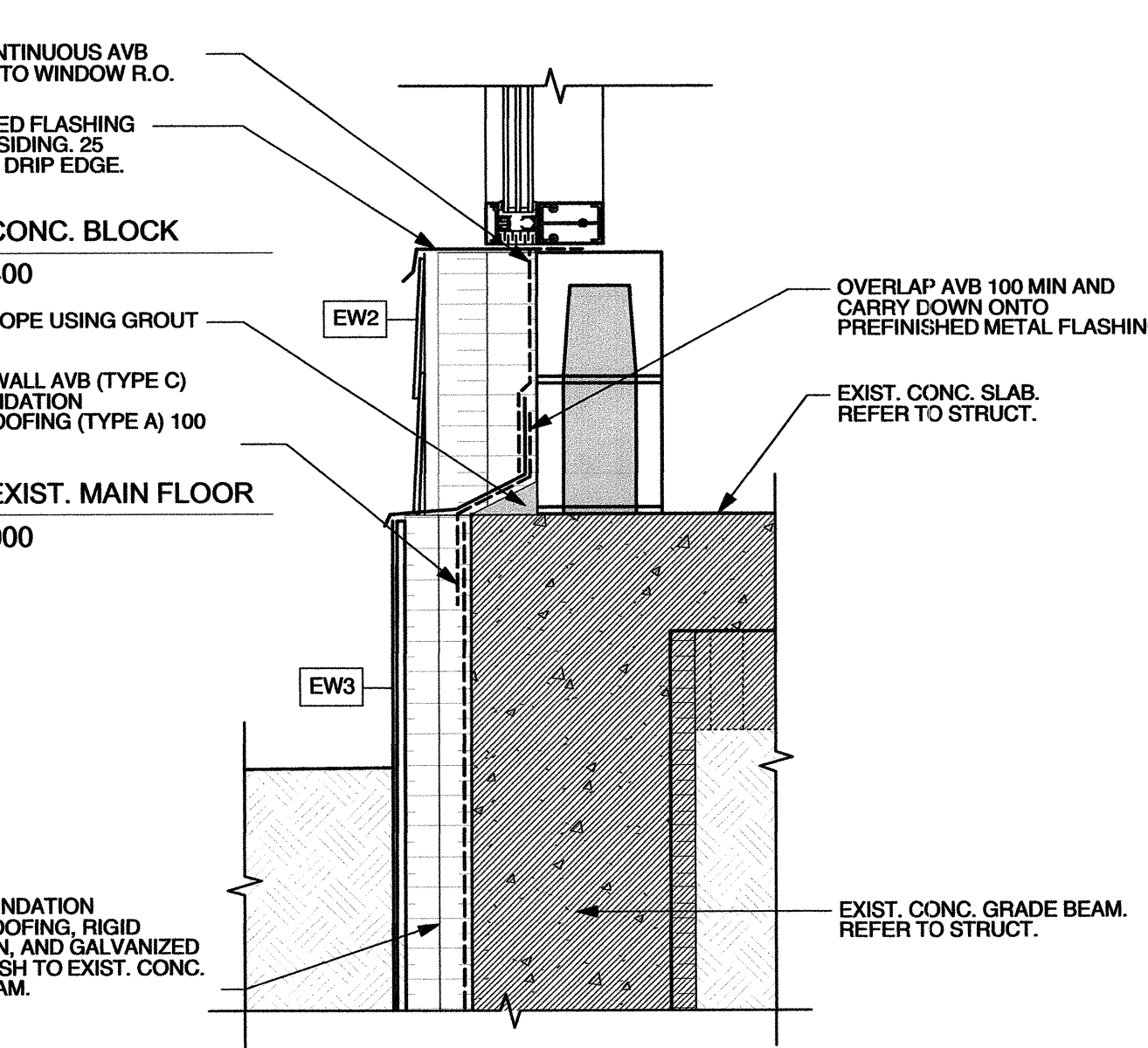
6 VEST. ENTRY THRESHOLD DETAIL
1:10



8 TYP. COLUMN BASE @ SPLASHPAD
1:10



9 NEW EXTERIOR WALL UNDER EXIST. ROOF
1:10

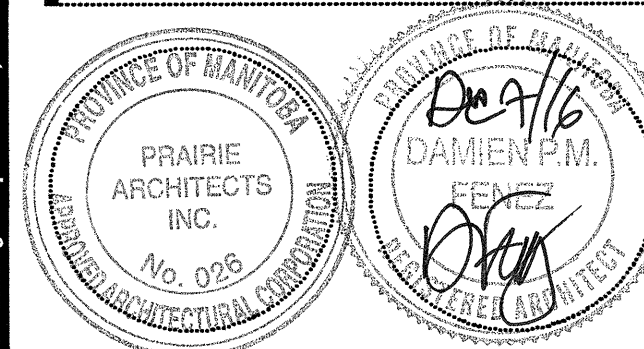


11 NEW EW2 @ RECEPTION AREA
1:10

Issue / rev.

0	2016.12.08	ISSUED FOR CONSTRUCTION
#	date	issue notes

professional seals



project information

SEVEN OAKS POOL RENOVATION & ADDITION
444 ADSUM DRIVE
WINNIPEG, MB
CANADA

client

CITY OF WINNIPEG
4TH FLOOR - 85 KING ST.
WINNIPEG, MB

drawing information

SECTION DETAILS

drawn by: JDB
approved by: DF

scale: 1:10
date issued: 2016.12.08
proj. #: 2014.66
rev. #: R-0

SEVEN OAKS POOL RENOVATION & ADDITION
BID OPPORTUNITY NO. 1044-2016

A5 02