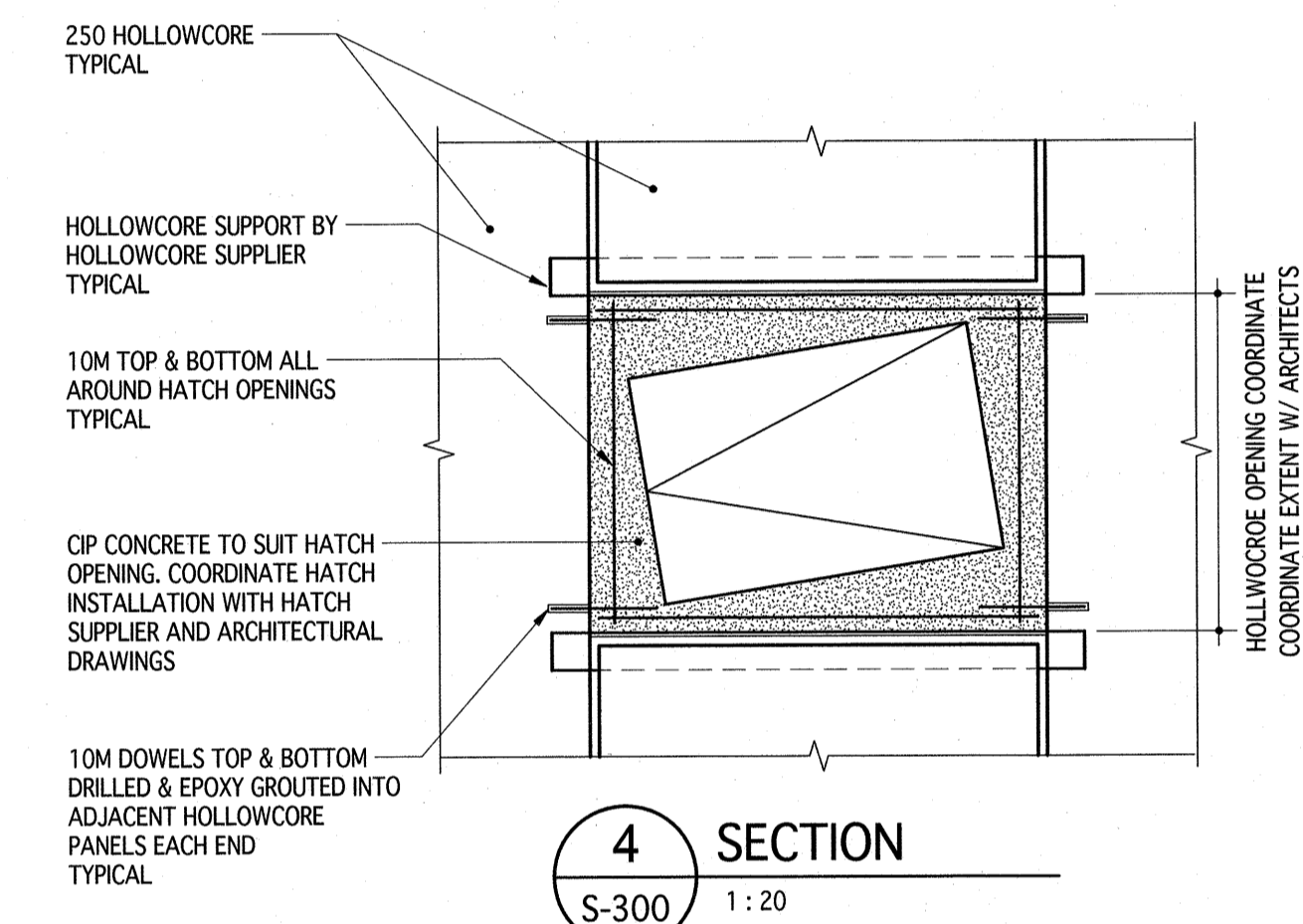
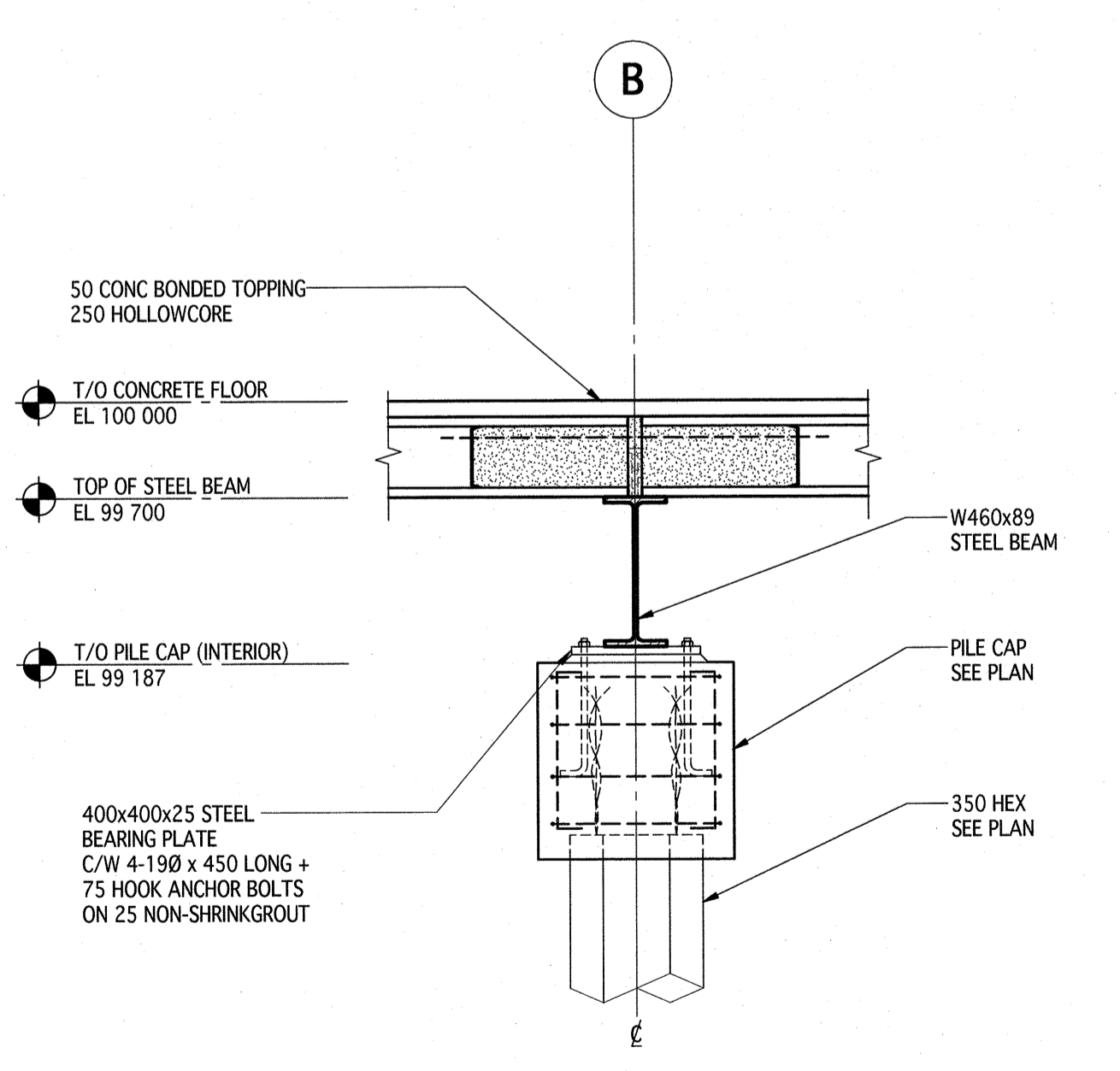


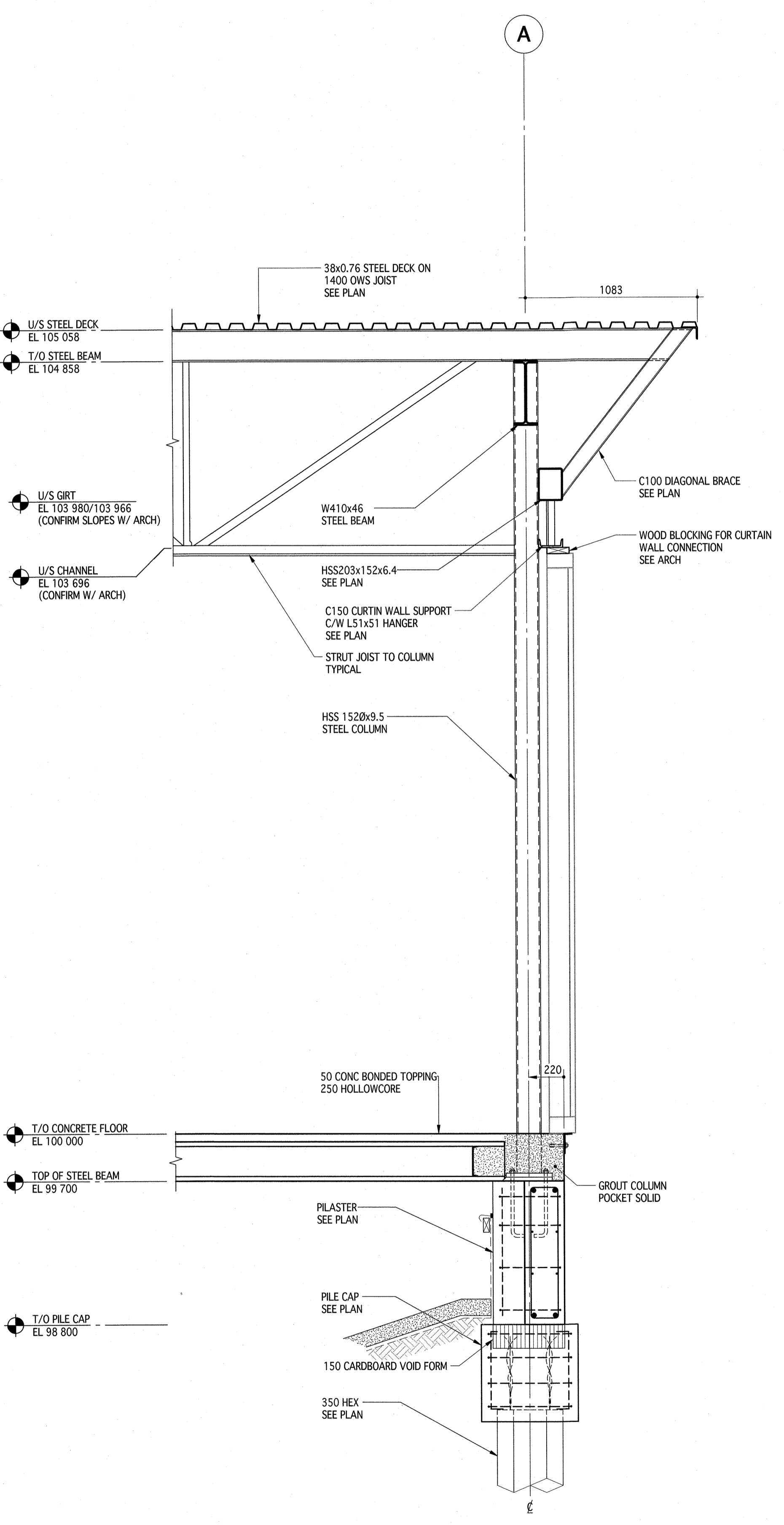
1 SECTION
S-300 1:20



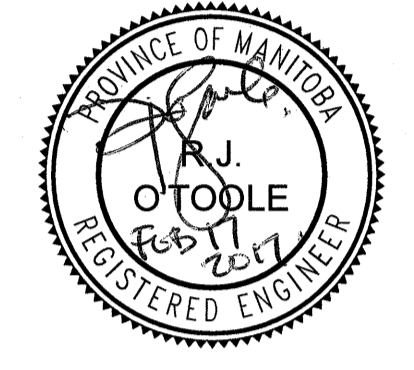
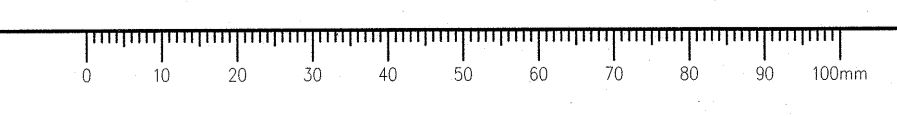
4 SECTION
S-300 1:20



2 SECTION
S-300 1:20



3 SECTION
S-300 1:20



APEGN
Certificate of Authorization
Crosier Kilgour & Partners Ltd.
No. 235 Date: Feb 17, 2017

No.	DATE	REVISION/ISSUANCE
1	2017/02/17	ISSUED FOR CONSTRUCTION

Consultant
300-275 Carlton Street
Winnipeg, Manitoba R3C 5R6
T: 204 983 7921
F: 204 983 7907
CEN# 2015-0791
Crosier Kilgour & Partners Ltd.
CONSULTING STRUCTURAL ENGINEERS

Cibinel Architecture Ltd
560 ACADEMY ROAD WINNIPEG, MB R3L 0E3
T: 204 989 8910 F: 204 989 8920

Owner
Winnipeg
Project
TRANSCONA LIBRARY
1500 PLESSIS ROAD, WINNIPEG, MB

SECTION

Project No. 1487
Sheet **S-300**