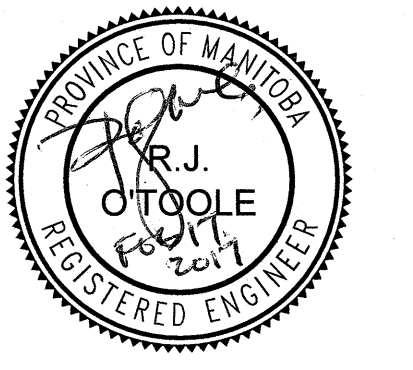
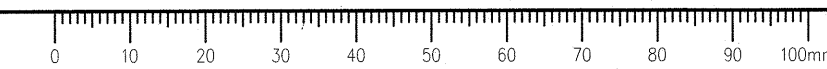
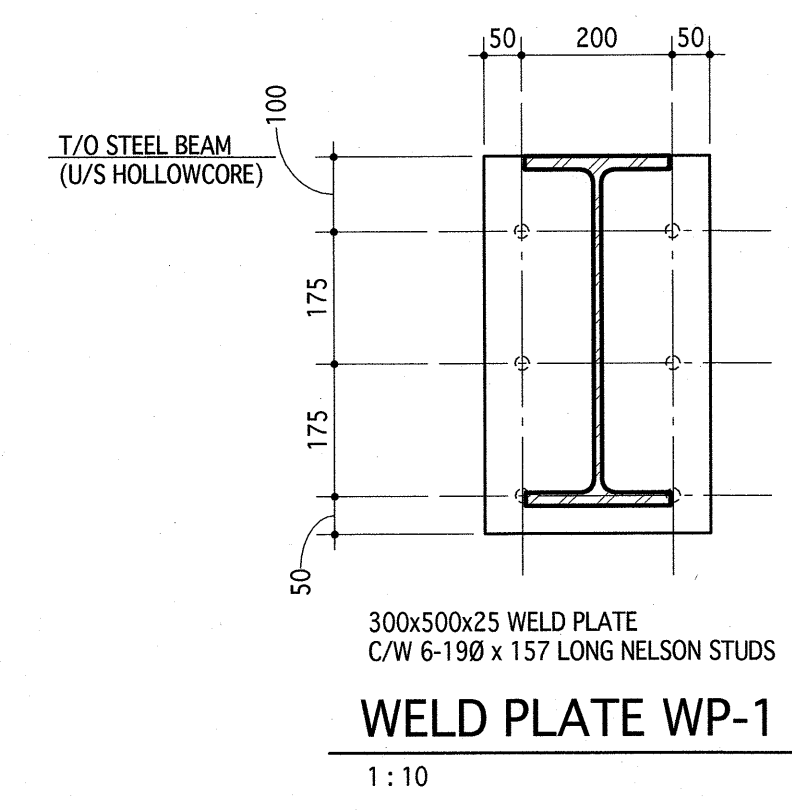


**MAIN FLOOR FRAMING PLAN**

1 : 100  
 DESIGN LIVE LOAD = 7.20kPa  
 DESIGN DEAD LOAD = 3.35kPa (HOLLOWCORE)  
 = 1.20 kPa (TOPPING)

- FLOOR NOTES:
- REFER TO S-001 FOR GENERAL NOTES
  - REFER TO S-002 FOR TYPICAL DETAILS
  - TOP OF HOLLOWCORE EL 99 950 TYPICAL UNLESS NOTED
  - HOLLOWCORE SUPPLIER TO COORDINATE WITH ARCHITECTURAL AND MECHANICAL DRAWINGS FOR LOCATIONS & EXTENT OF ALL OPENINGS REQUIRED THROUGH HOLLOWCORE TO FACILITATE MECHANICAL INSTALLATIONS, TYPICAL UNLESS NOTED
  - HOLLOWCORE SUPPLIER TO COORDINATE LOCATIONS AND EXTENT OF LIVING WALL WITH ARCHITECTURAL DRAWINGS (LIVING WALL UNFACTORED DEAD LOAD = 0.5kPa)
  - COORDINATE ALL CONCRETE TOPPING SLOPES WITH ARCHITECTURAL DRAWINGS



**APEGM**  
 Certificate of Authorization  
 Crosier Kilgour & Partners Ltd.  
 No. 235 Date: Feb 17, 2017

1 2017/02/17 ISSUED FOR CONSTRUCTION  
 No. DATE REVISION/ISSUANCE

Consultant: 300-275 Carlton Street  
 Winnipeg, Manitoba R3C 1A6  
 T. 204. 989. 8920  
 F. 204. 989. 8920  
 COW 00150791  
**Crosier Kilgour & Partners Ltd.**  
 CONSULTING STRUCTURAL ENGINEERS

**Cibinel**  
 Architecture Ltd  
 560 ACADEMY ROAD WINNIPEG, MB R3L 0E3  
 T. 204 989 8910 F. 204 989 8920

Owner: **Winnipeg**

Project: **TRANSCONA LIBRARY**  
 1500 PLESSIS ROAD, WINNIPEG, MB

Sheet Title: **MAIN FLOOR FRAMING PLAN**

Project No. Sheet

1487 **S-101**