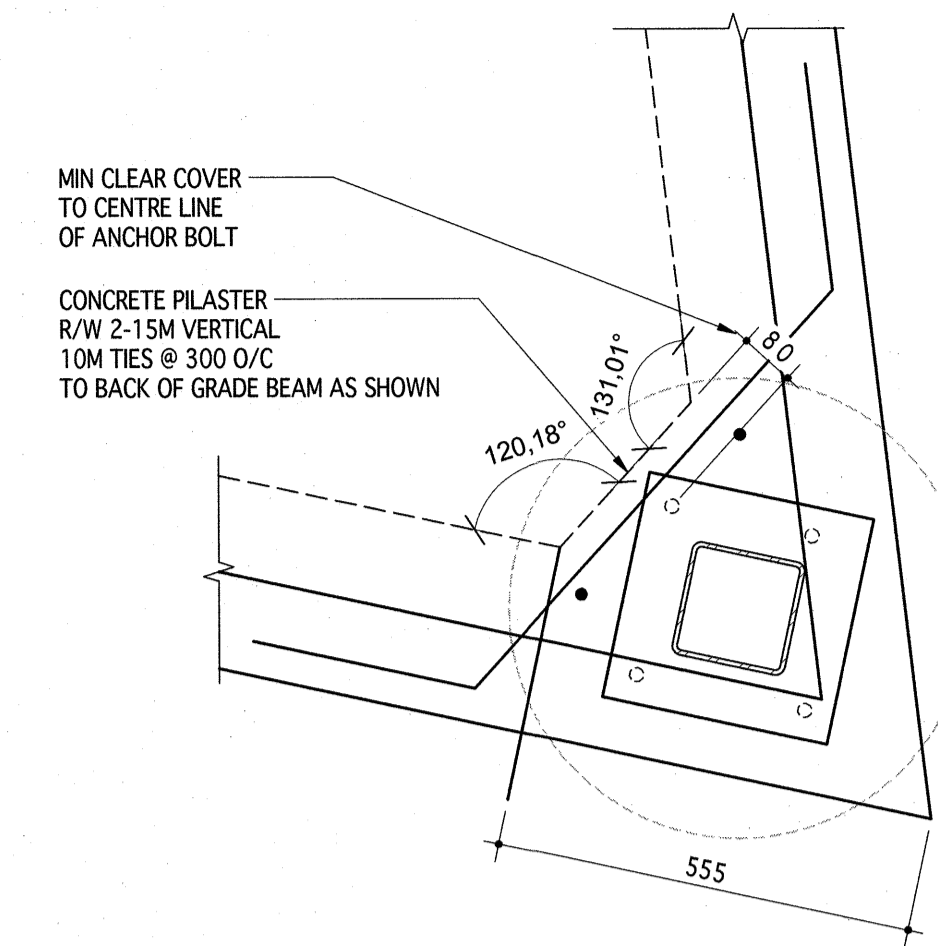


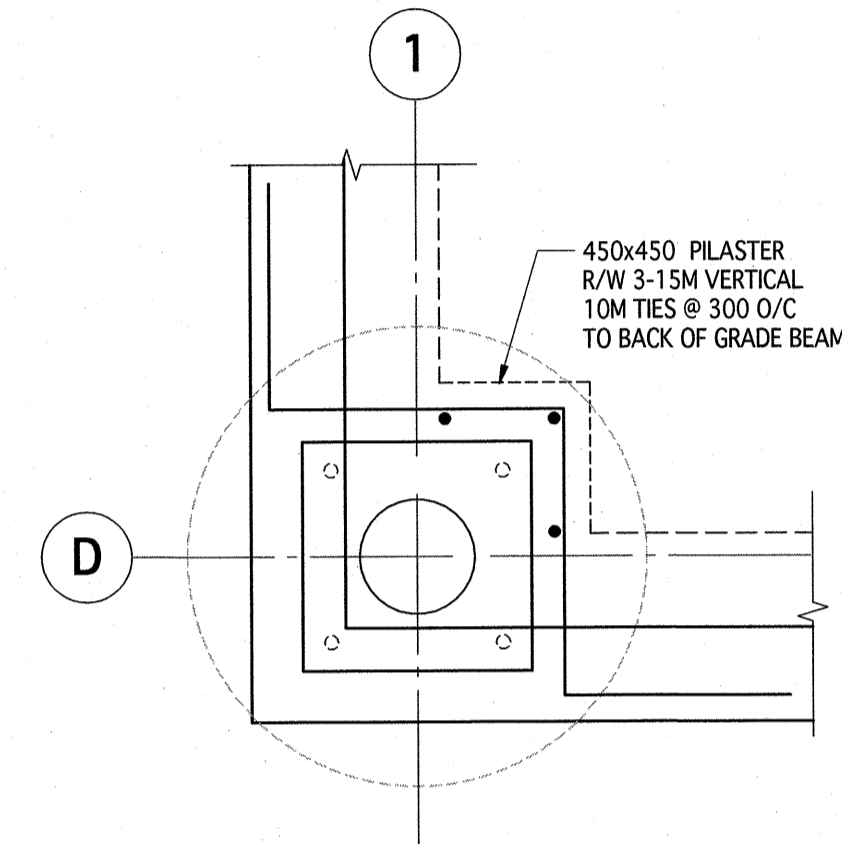
PILASTER 1

1:10



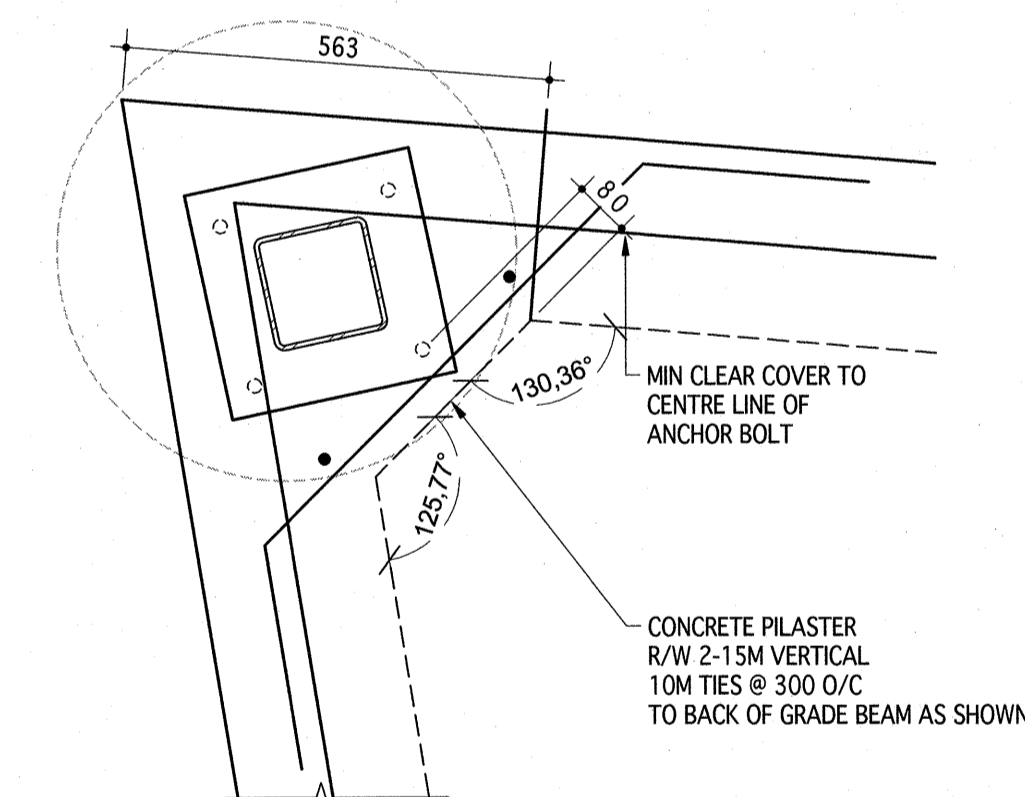
PILASTER 5

1:10



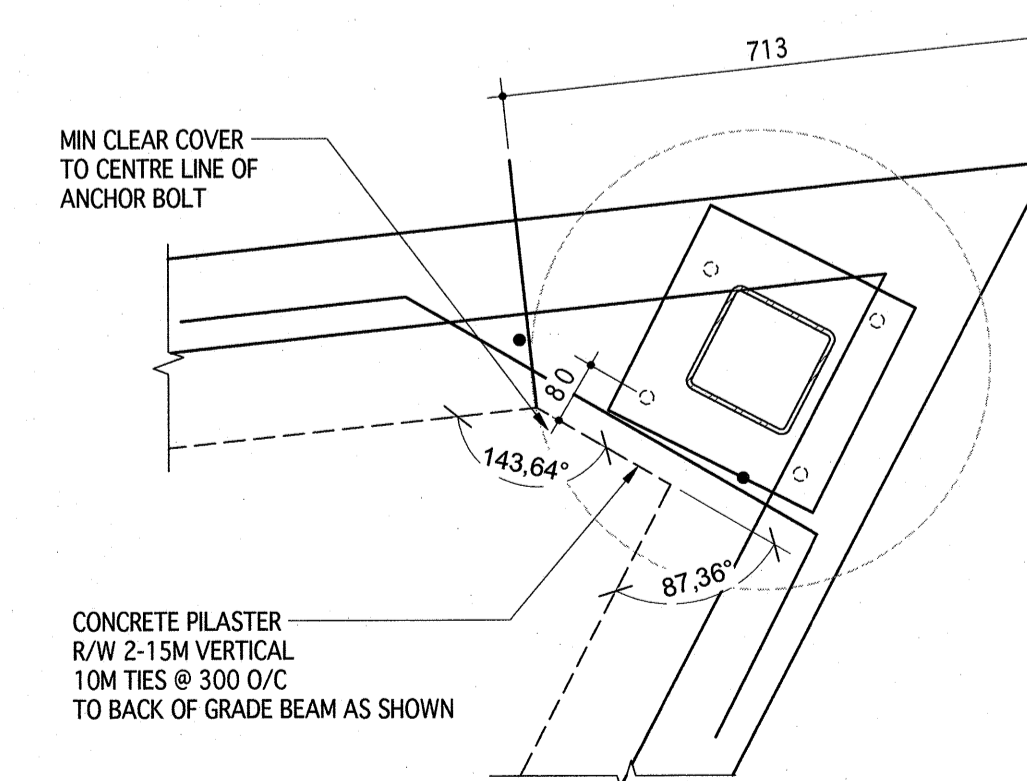
PILASTER 2

1:10



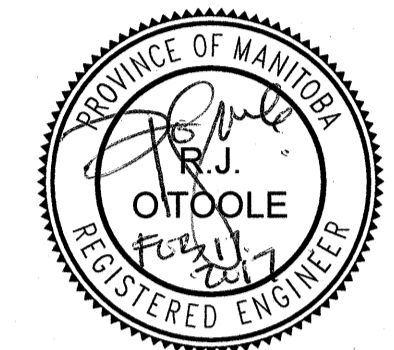
PILASTER 3

1:10



PILASTER 4

1:10



No.	DATE	REVISION/ISSUANCE
1	2017/02/17	ISSUED FOR CONSTRUCTION

Consultant: 300-275 Carlton Street
Winnipeg, Manitoba R3C 1S6
T: 204-943-7920
F: 204-943-7927
CAP# 2015-0751

Crosier Kilgour & Partners Ltd.
CONSULTING STRUCTURAL ENGINEERS

Architect:

Cibinel Architecture Ltd

560 ACADEMY ROAD WINNIPEG, MB R3L 0E3
T: 204-989-8910 F: 204-989-8920

Owner: **Winnipeg**

Project: **TRANSCONA LIBRARY**
1500 PLESSIS ROAD, WINNIPEG, MB

Sheet Title: **PILASTER DETAILS**

Project No. **1487** Sheet **S-003**

