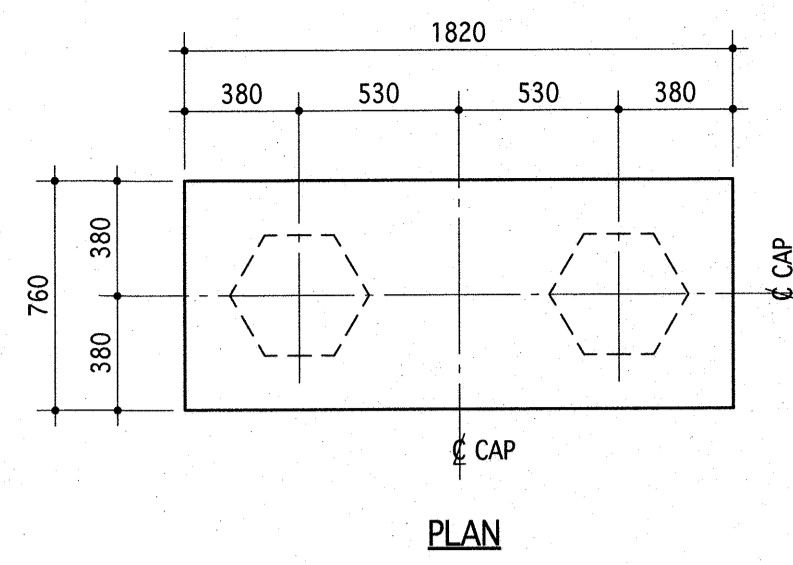
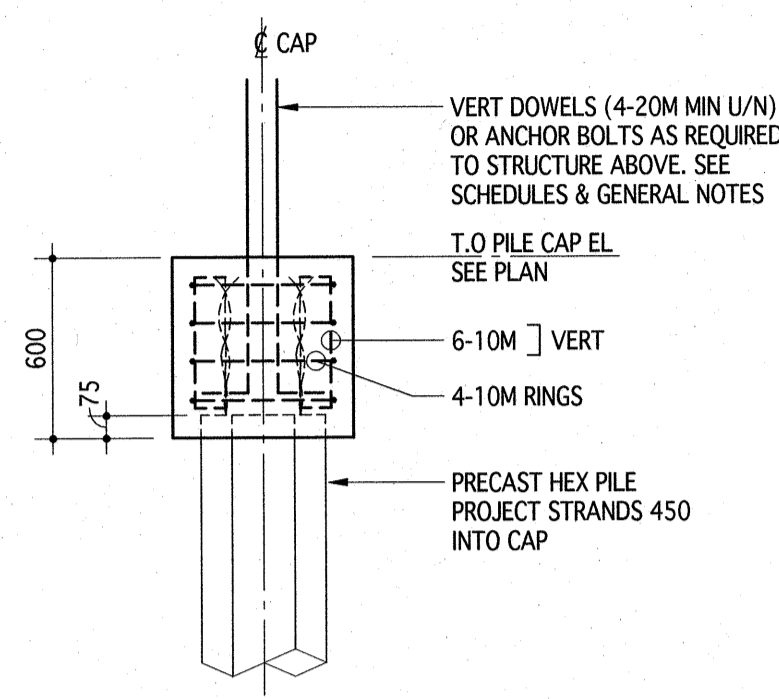


PLAN



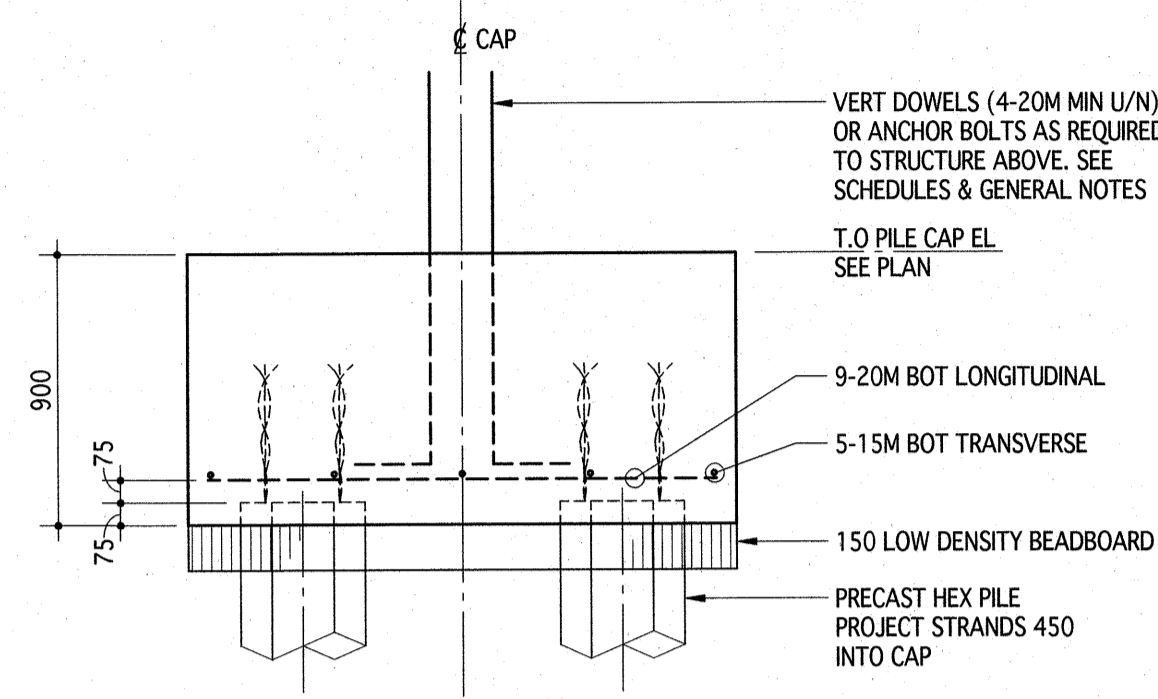
PLAN



ELEVATION

SINGLE PILE CAP DETAIL

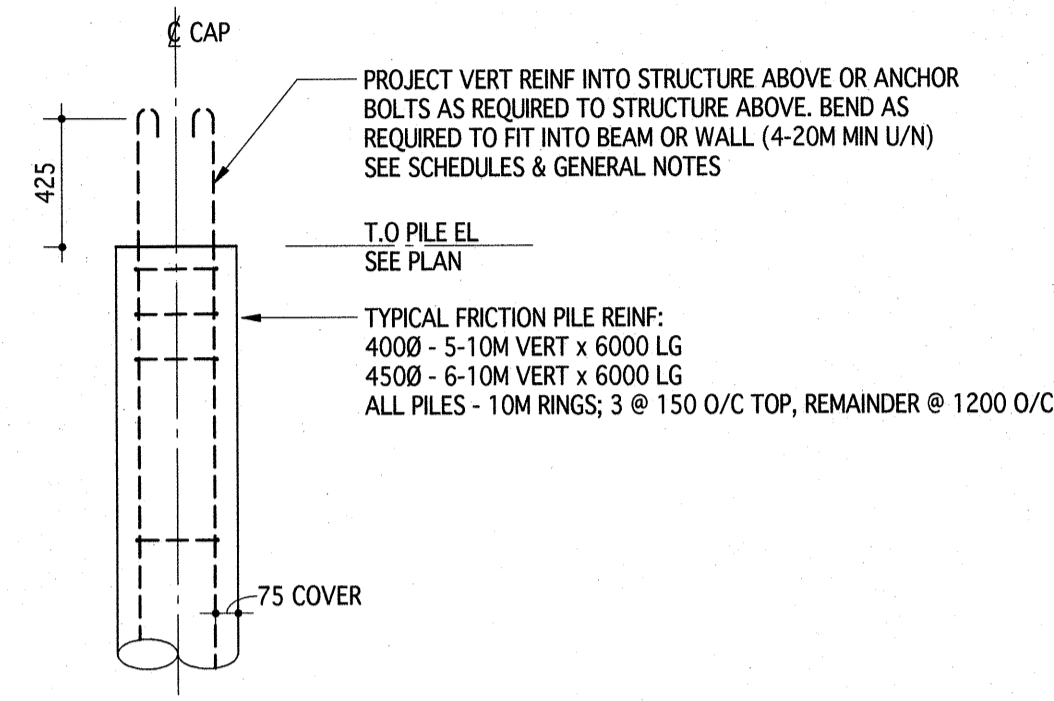
1:25



ELEVATION

DOUBLE PILE CAP DETAIL

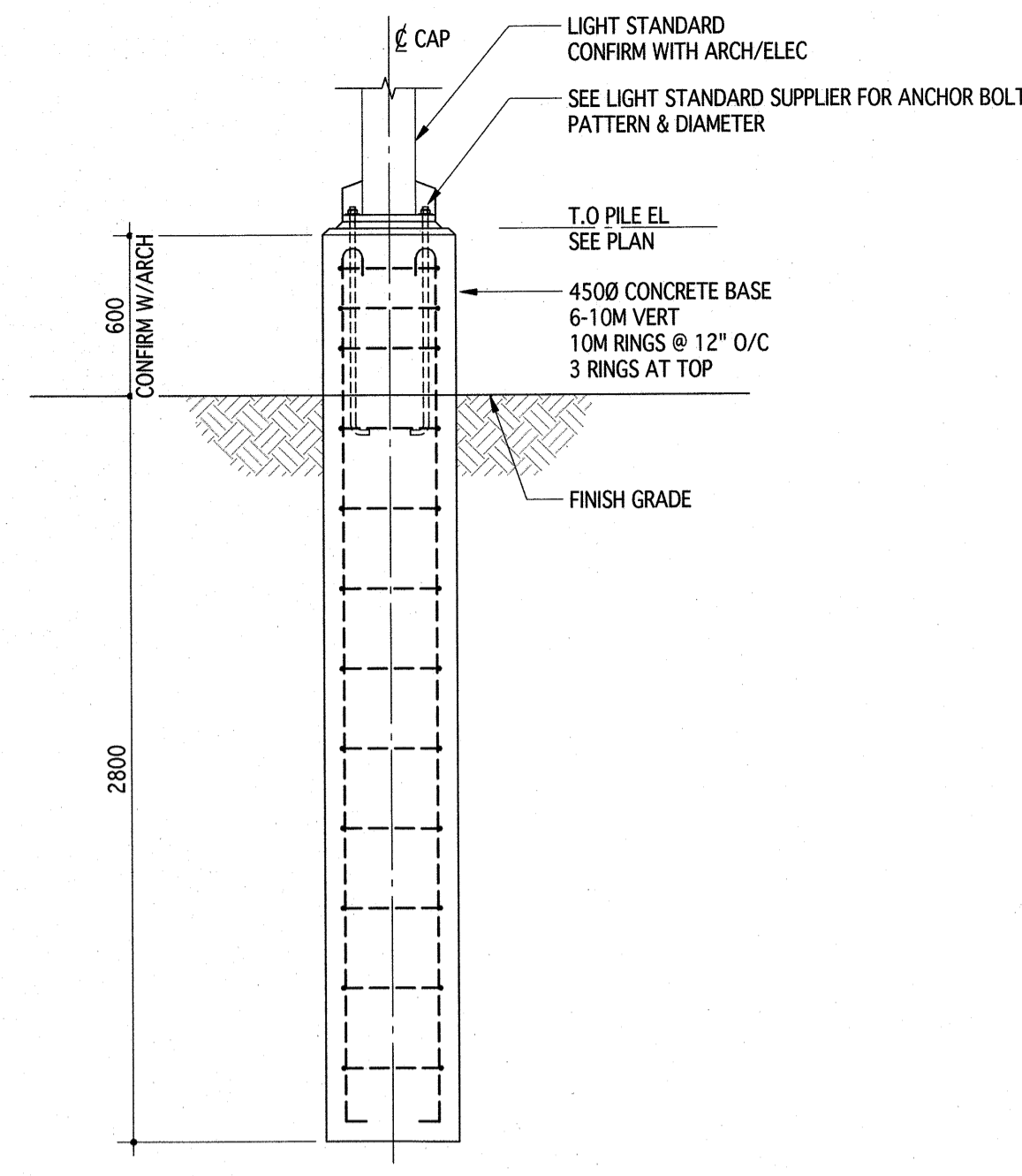
1:25



ELEVATION

SINGLE PILE CAP DETAIL

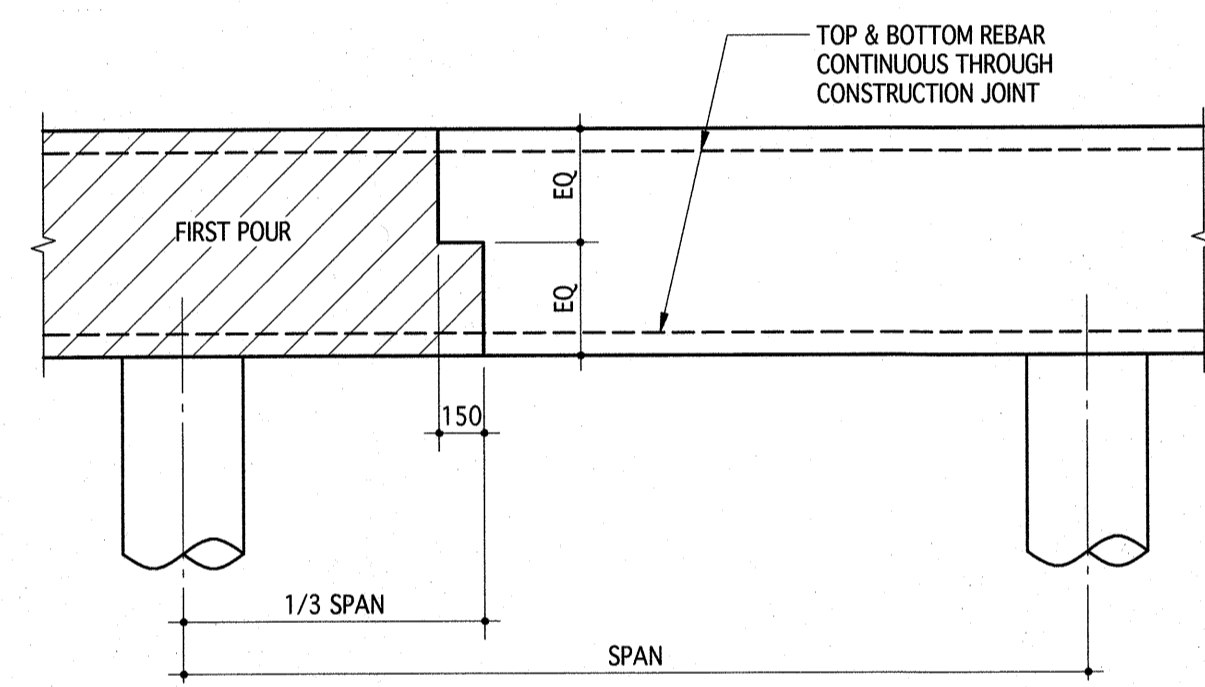
1:25



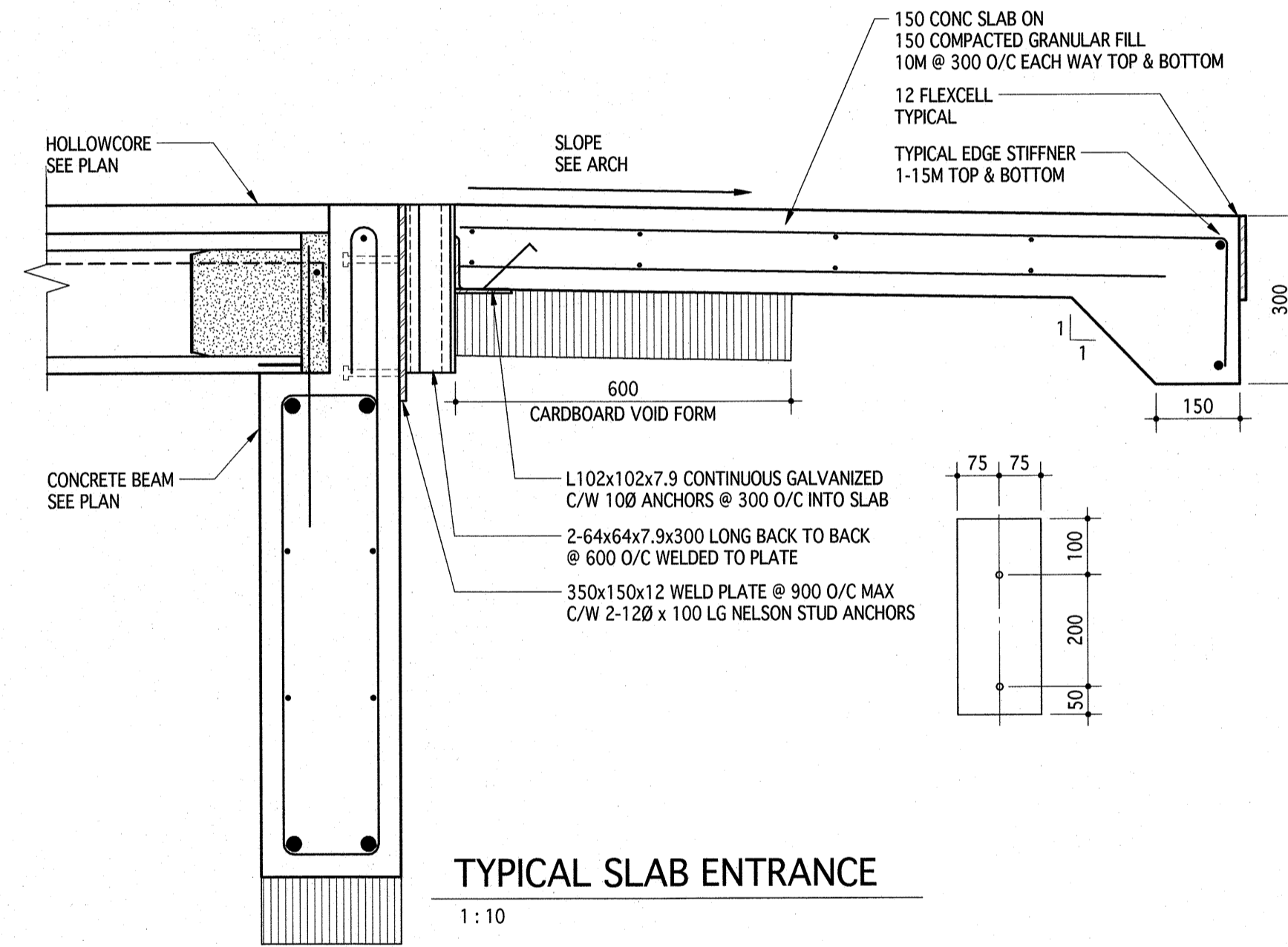
ELEVATION

TYPICAL LIGHT STANDARD BASE DETAIL

1:25

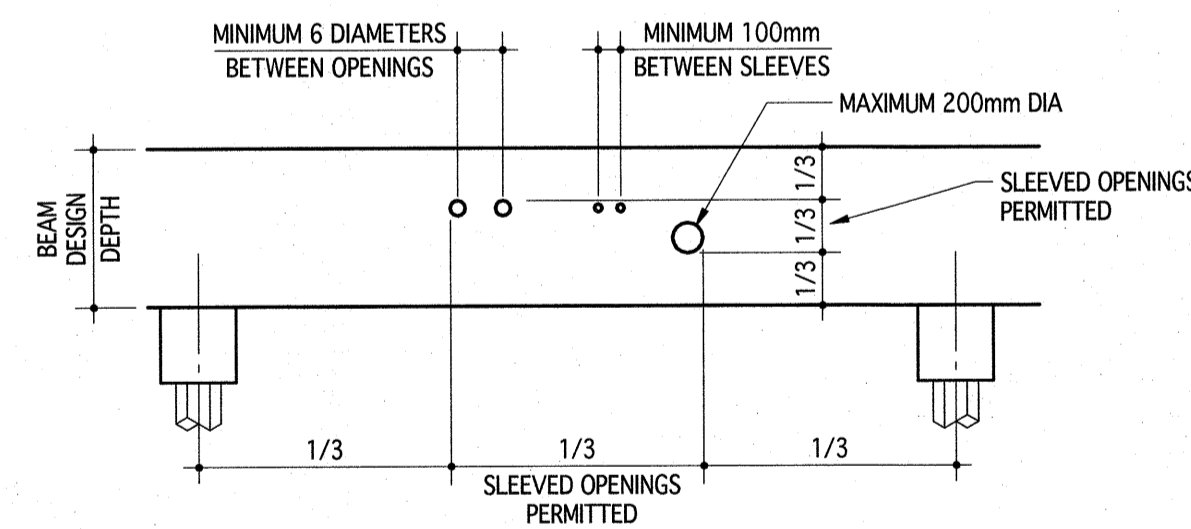


GRADE BEAM CONSTRUCTION JOINT DETAIL



TYPICAL SLAB ENTRANCE

1:10

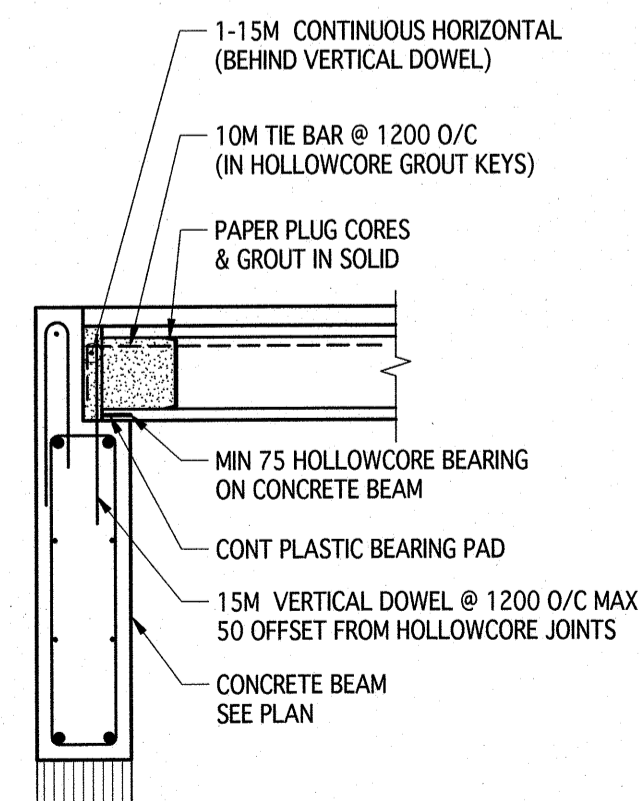


BEAM SLEEVE DIAGRAM

1. ALL BEAM SLEEVE OPENINGS SHALL BE LOCATED WITHIN THE MIDDLE 1/3 OF BEAM DESIGN HEIGHT AND THE MIDDLE 1/3 SPAN TO THE APPROVAL OF THE CONSULTANT.
2. OPENINGS SHALL BE FORMED IN BEAM PRIOR TO CONCRETE PLACEMENT.
3. MECHANICAL AND ELECTRICAL CONTRACTORS TO PROVIDE SLEEVING SHOP DRAWINGS TO THE STRUCTURAL CONSULTANT PRIOR TO THE START OF CONSTRUCTION. ALL SERVICE SLEEVES SHALL BE INDICATED WITH LOCATIONS AND ELEVATIONS GIVEN.

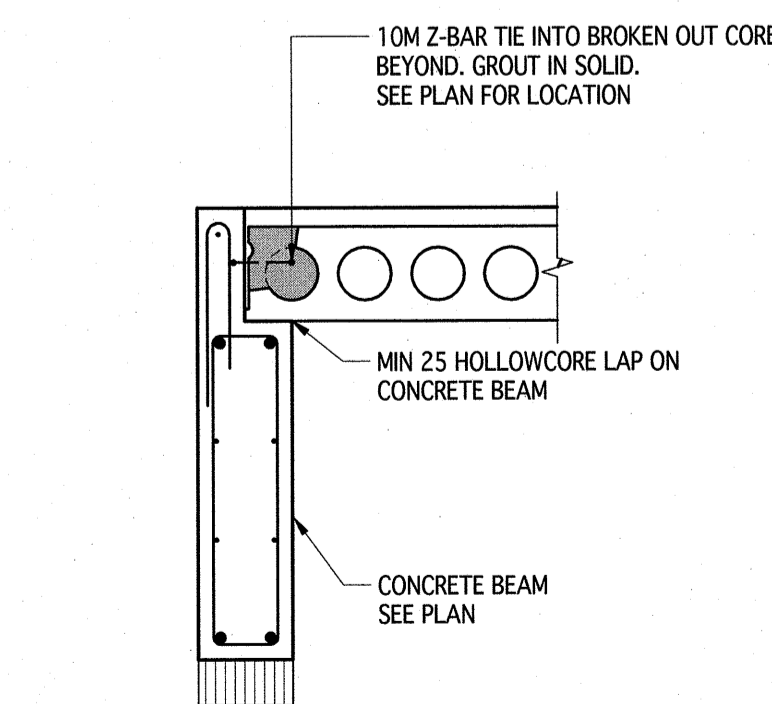
GRADE BEAM DETAILS

1:25



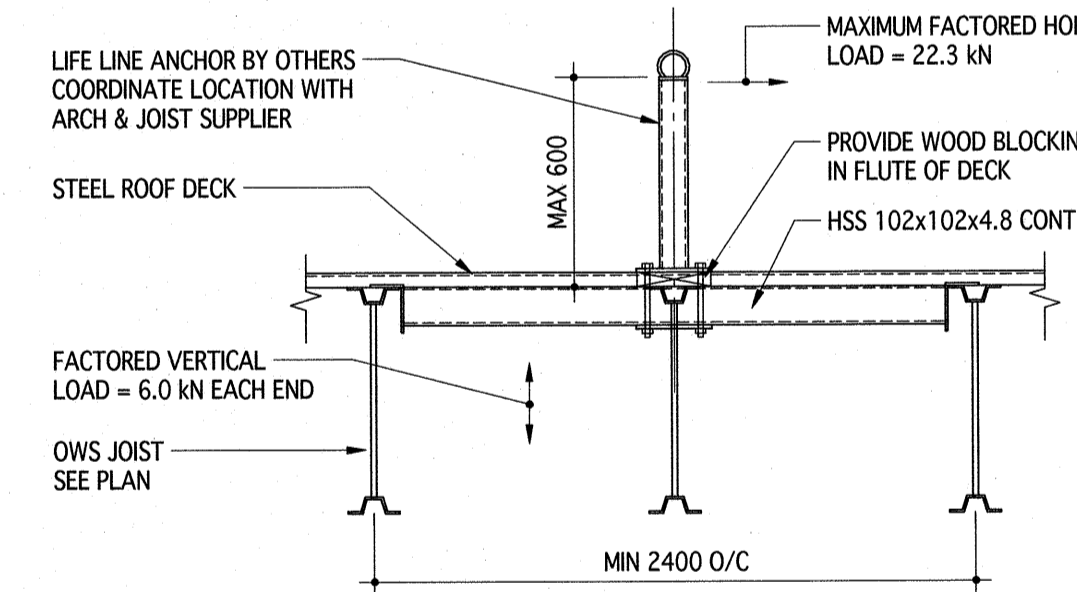
HOLLOWCORE BEARING ON CONCRETE BEAM

1:20



HOLLOWCORE PARALLEL TO CONCRETE BEAM

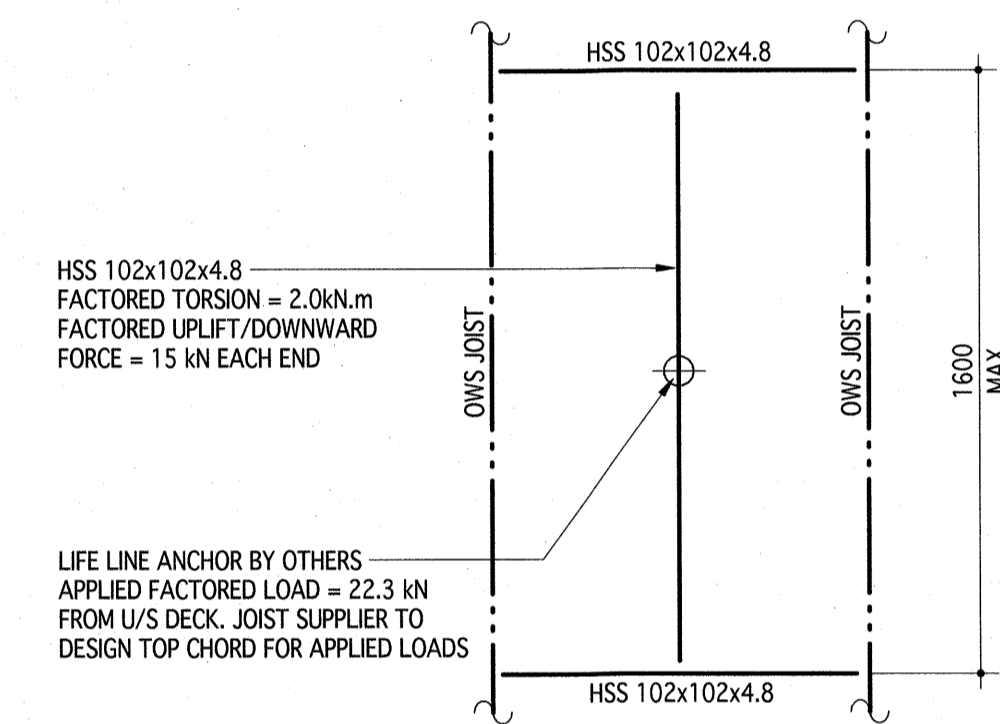
1:20



LIFELINE ANCHOR
DETAIL AT JOIST LOCATION

LIFELINE ANCHOR DETAILS

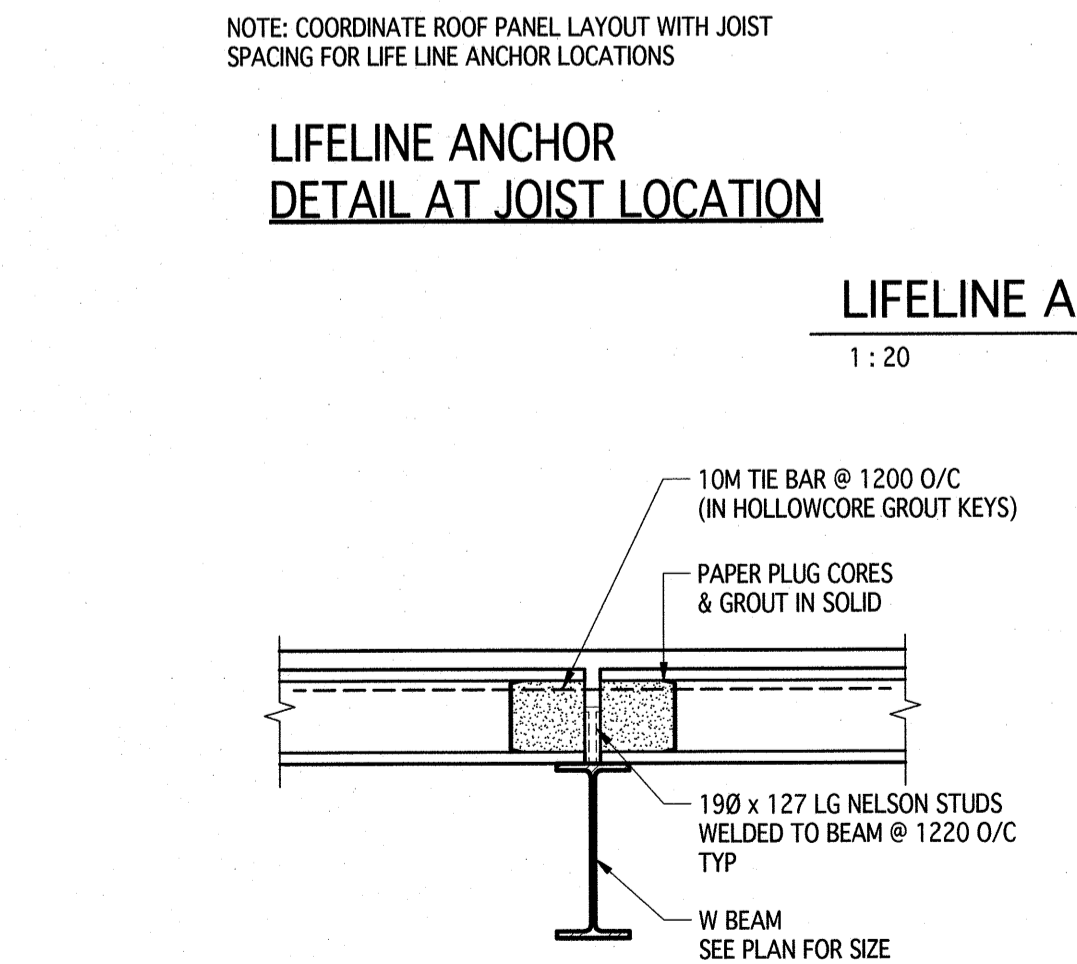
1:20



LIFELINE ANCHOR
DETAIL BETWEEN JOISTS

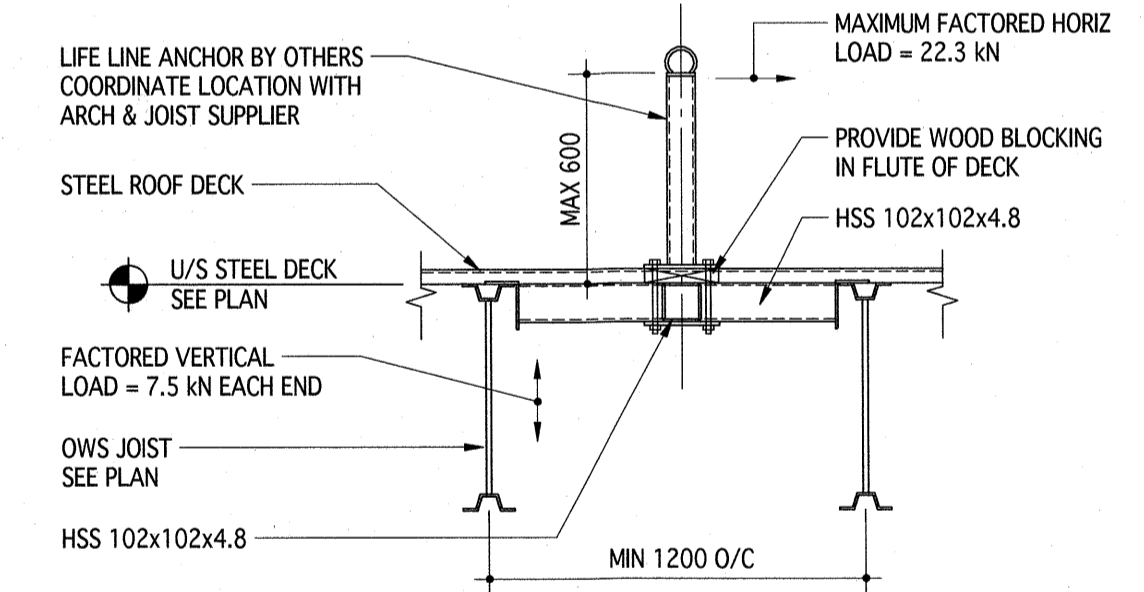
LIFELINE ANCHOR DETAILS

1:20



HOLLOWCORE BEARING STEEL BEAM

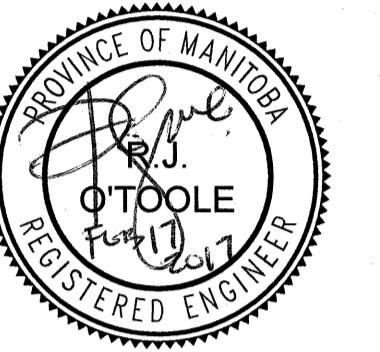
1:20



TYPICAL SHELF SUPPORT ANGLE DETAIL

1:10

- NOTE:
- 1) ALL SHELF ANGLES, PLATES ETC SHALL BE GALVANIZED
 - 2) TOUCH UP ALL WELDING WITH ZINC RICH PAINT
 - 3) COORDINATE EXTENT WITH ARCHITECTURAL DWG



1 2017/02/17 ISSUED FOR CONSTRUCTION
No. DATE REVISION/ISSUANCE

300-275 Carlton Street
Winnipeg, Manitoba R3C 5R6
1 204 943 1901
F 204 943 7007
CENR 2015-0791
Crosier Kilgour & Partners Ltd.
CONSULTING STRUCTURAL ENGINEERS

Cibinel
Architecture Ltd

560 ACADEMY ROAD WINNIPEG, MB R3L 0E3
T. 204 989 8910 F. 204 989 8920

Winnipeg

TRANSCONA LIBRARY
1500 PLESSIS ROAD, WINNIPEG, MB

TYPICAL DETAILS

Project No. Sheet

1487

S-002

