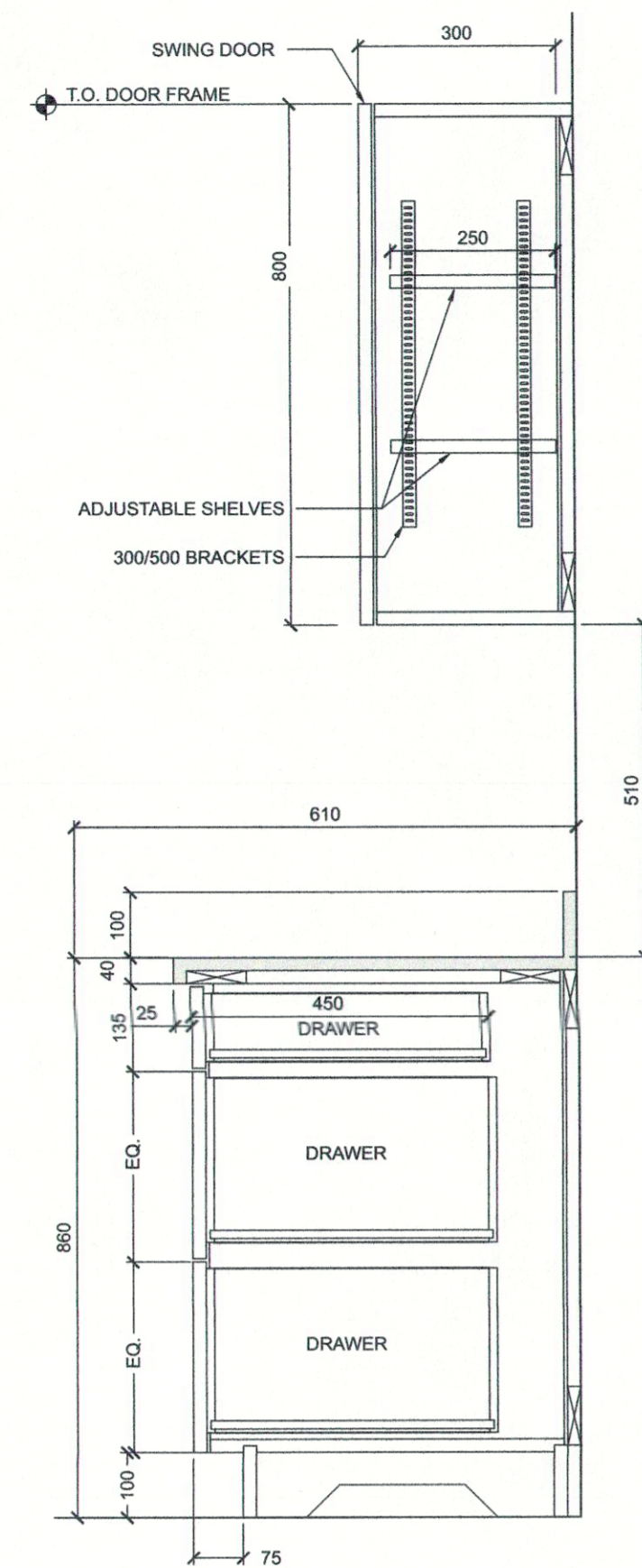
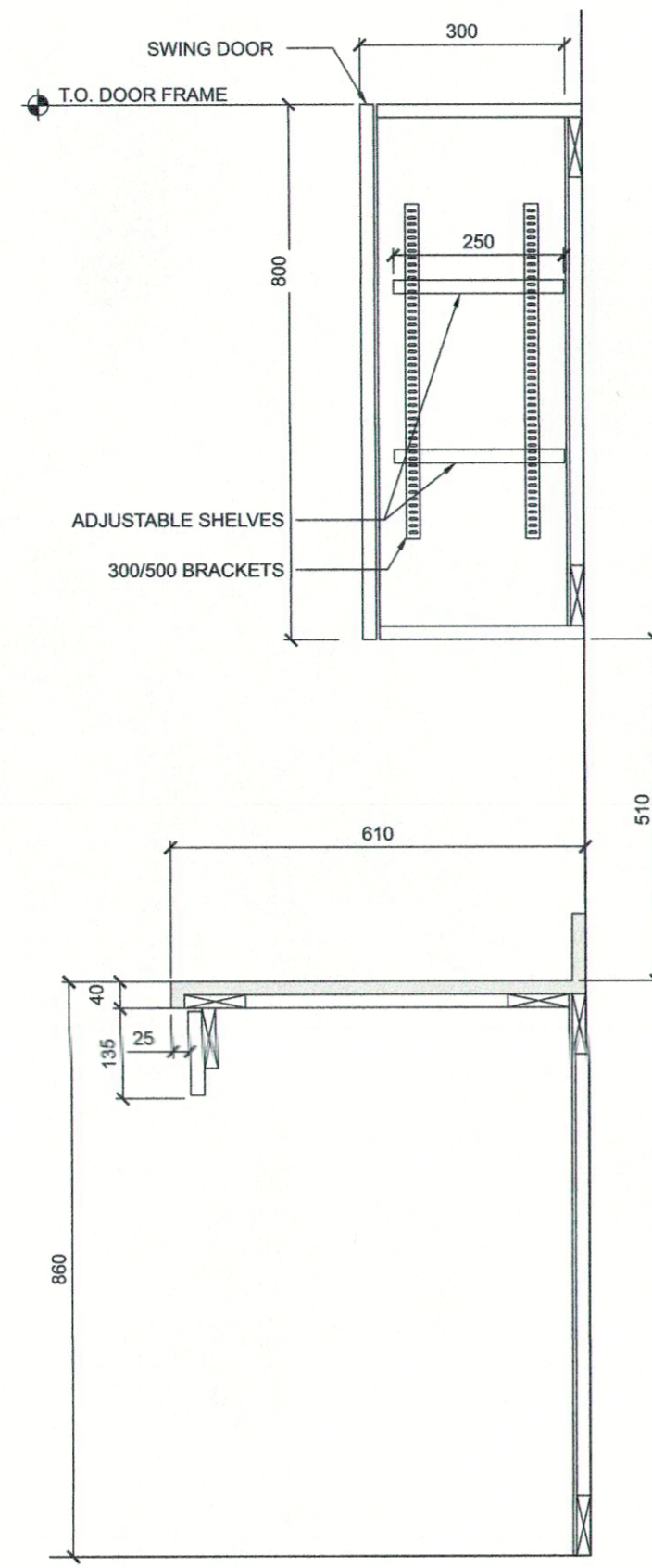


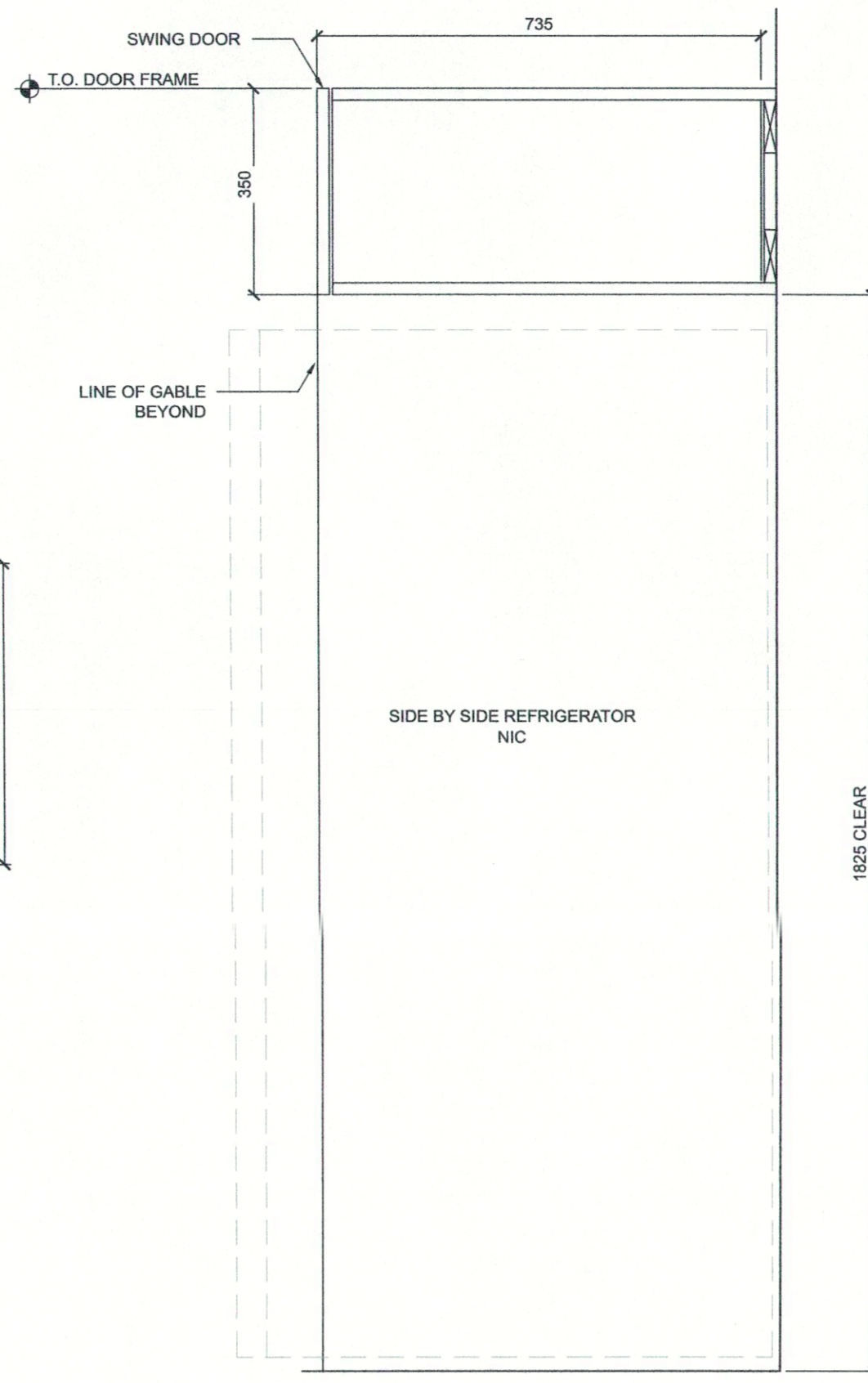
1 STAFF KITCHEN - SECTION
A-503 1:10



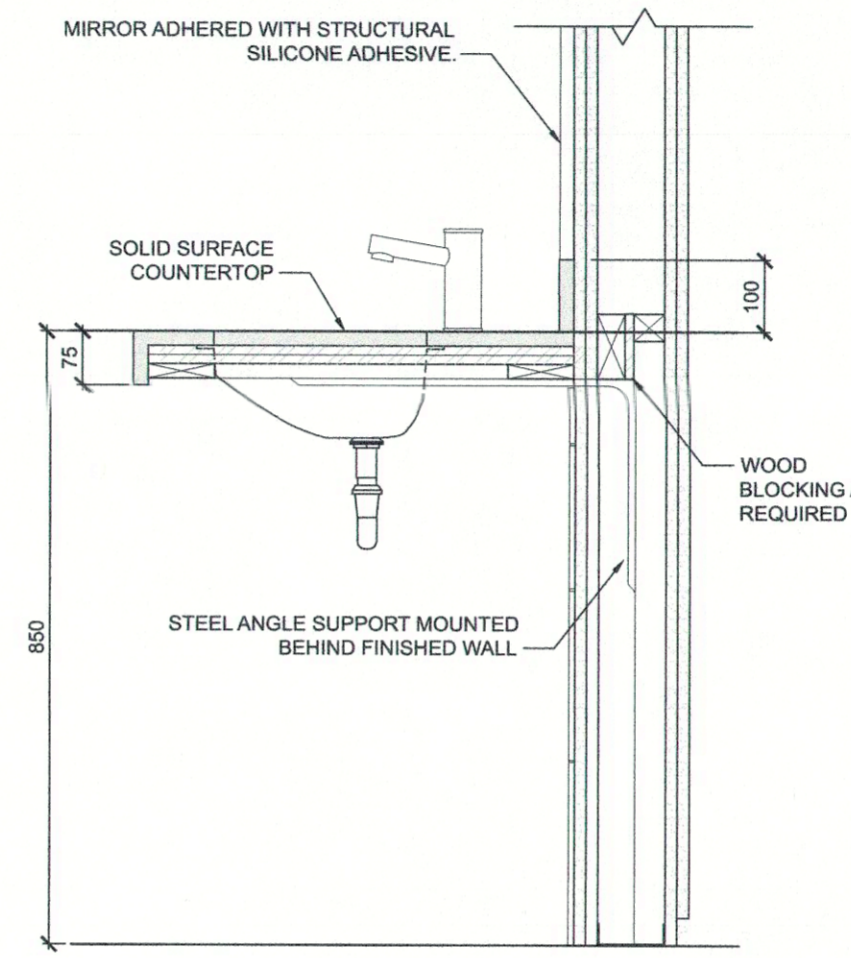
2 STAFF KITCHEN - SECTION
A-503 1:10



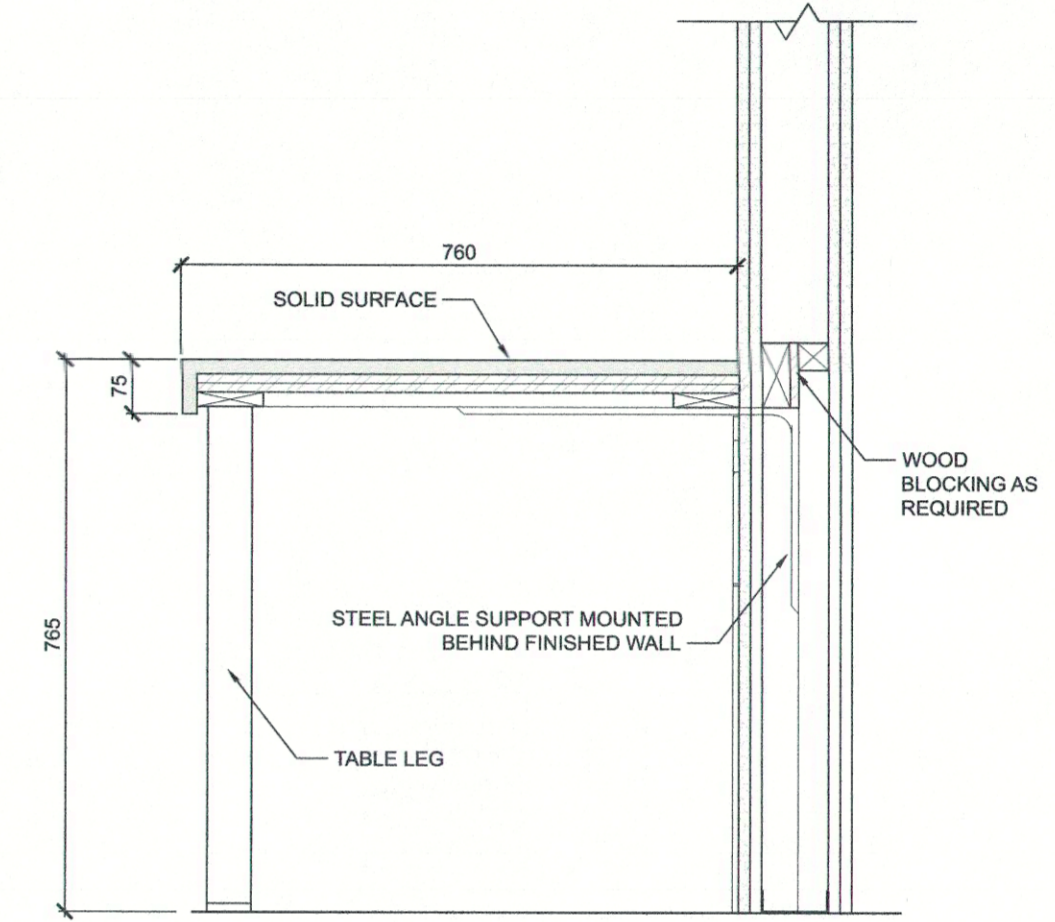
3 STAFF KITCHEN - SECTION
A-503 1:10



4 STAFF KITCHEN - SECTION
A-503 1:10



5 WASHROOM COUNTER - SECTION
A-503 1:10



6 UTR BENCH - SECTION
A-503 1:10

1	2017.02.17	ISSUED FOR CONSTRUCTION
No.	DATE	REVISION / ISSUANCE



Architect
Cibinel
Architecture Ltd
500 ACADEMY ROAD, WINNIPEG, MB. R3N 0E3
T. 204 989 8910 F. 204 989 8920



Project
TRANSCONA LIBRARY
1500 PLESSIS ROAD, WINNIPEG, MB

Sheet Title
MILLWORK DETAILS

Project No. 1487
Sheet **A-503**