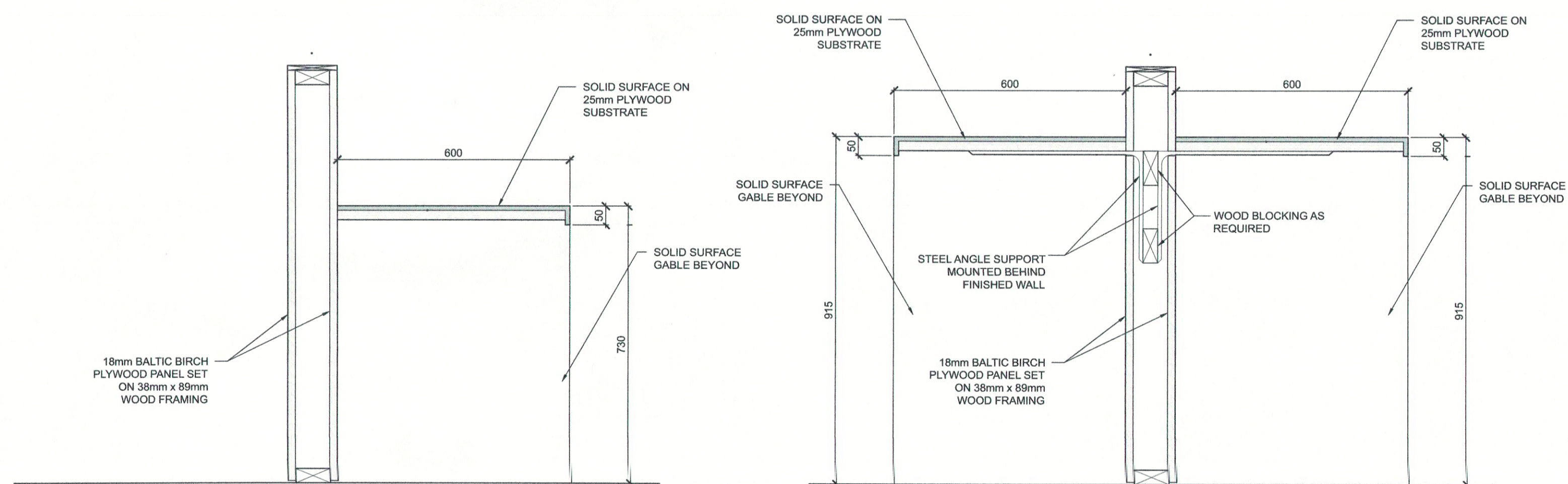
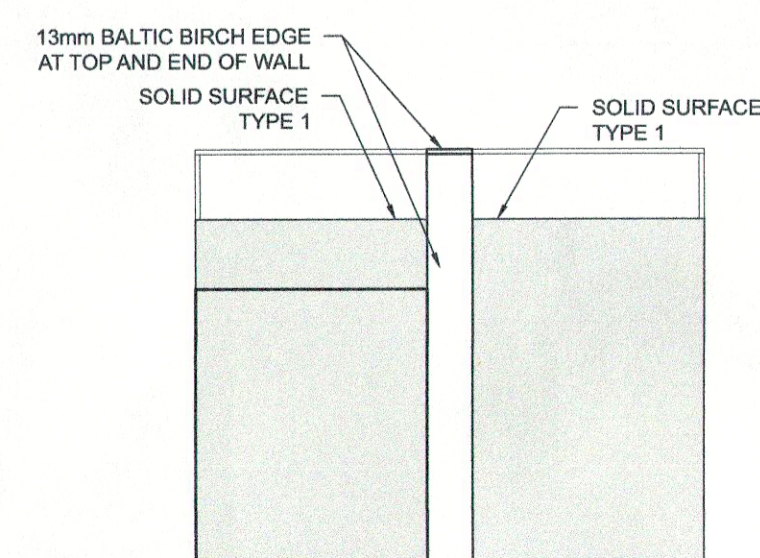


1 SELF CHECKOUT COUNTER - PLAN DETAIL  
A-502 1:10

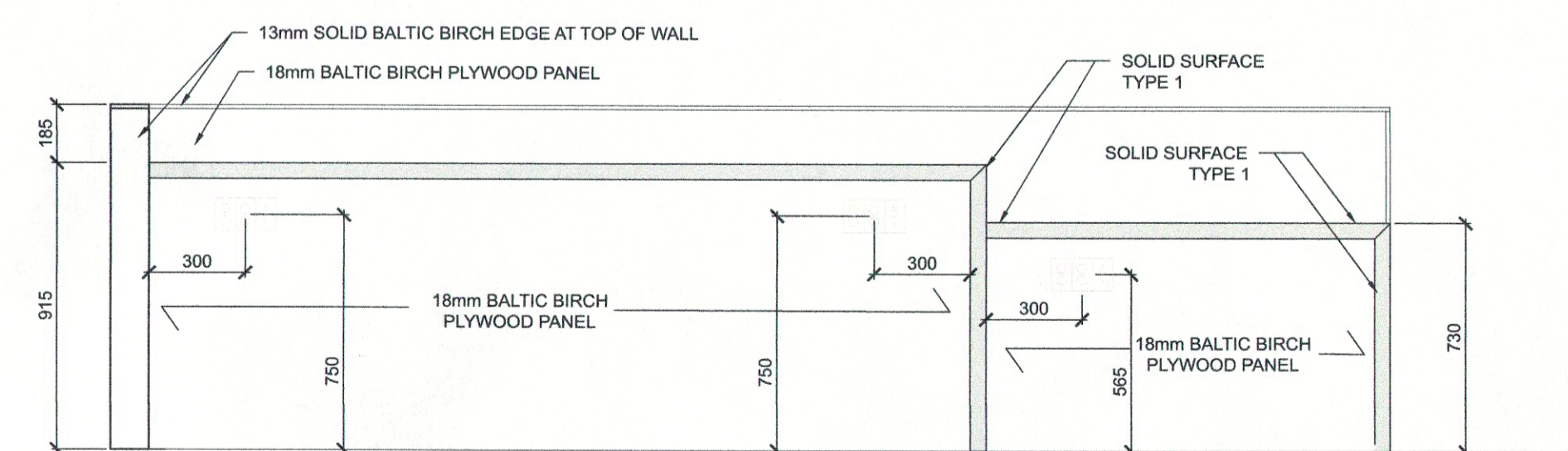


2 SELF CHECKOUT COUNTER - SECTION  
A-502 1:10

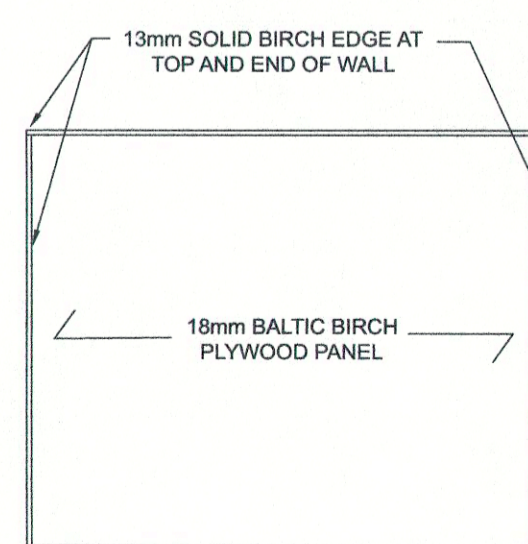
3 SELF CHECKOUT COUNTER - SECTION  
A-502 1:10



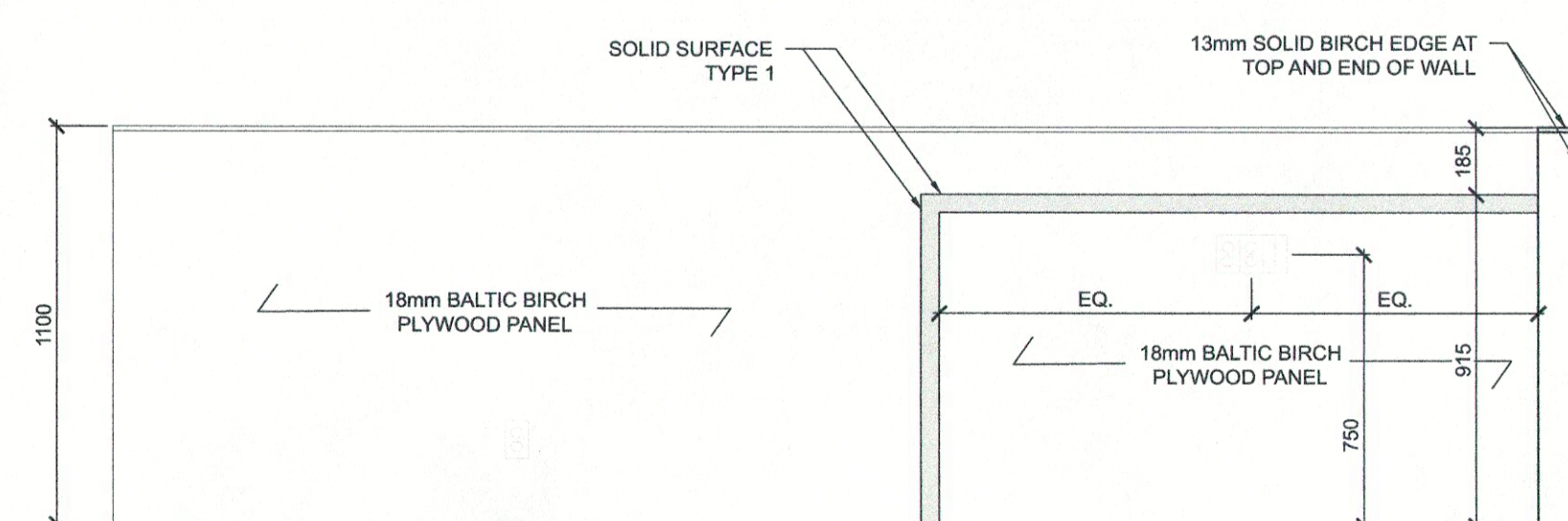
4 NORTH ELEVATION  
A-502 1:20



5 EAST ELEVATION  
A-502 1:20

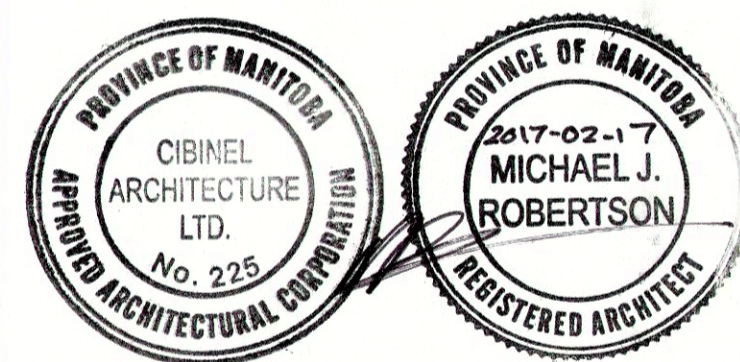


6 SOUTH ELEVATION  
A-502 1:20



7 WEST ELEVATION  
A-502 1:20

1 2017.02.17 ISSUED FOR CONSTRUCTION  
No. DATE REVISION / ISSUANCE



**Cibinel**  
Architecture Ltd  
560 ACADEMY ROAD, WINNIPEG, MB R3N 0E3  
T. 204 989 8910 F. 204 989 8920



Project  
**TRANSCONA LIBRARY**  
1500 PLESSIS ROAD, WINNIPEG, MB

Sheet Title  
**MILLWORK DETAILS**  
**LIBRARY SERVICES COUNTER**

Project No. Sheet  
1487 **A-502**