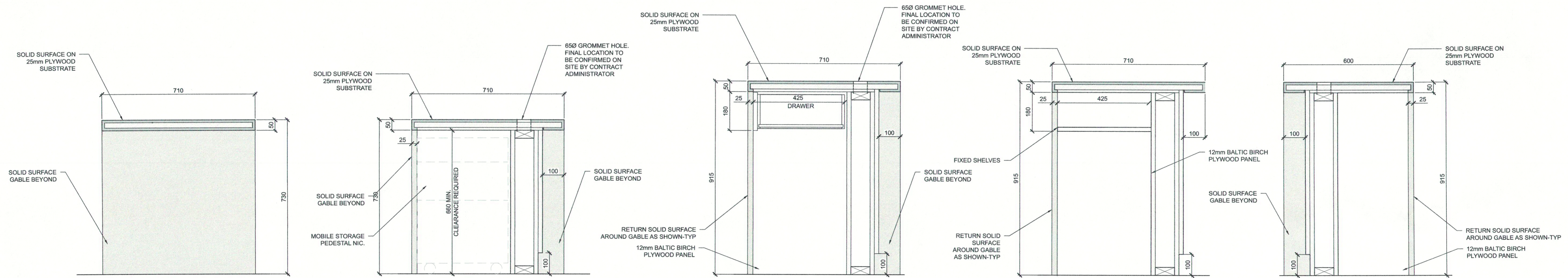


1 LIBRARY SERVICES COUNTER - PLAN DETAIL  
A-501 1:10



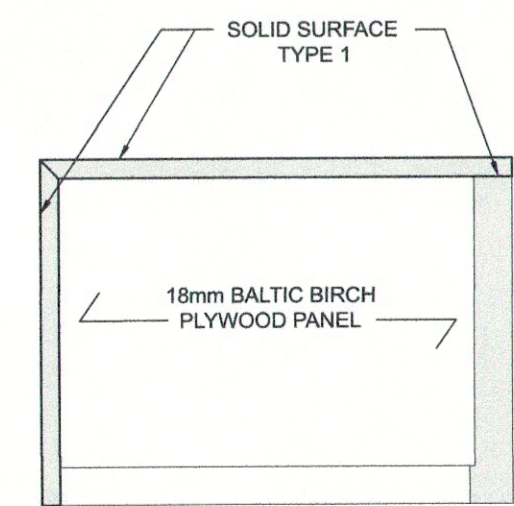
2 LIBRARY SERVICES COUNTER - SECTION  
A-501 1:10

3 LIBRARY SERVICES COUNTER - SECTION  
A-501 1:10

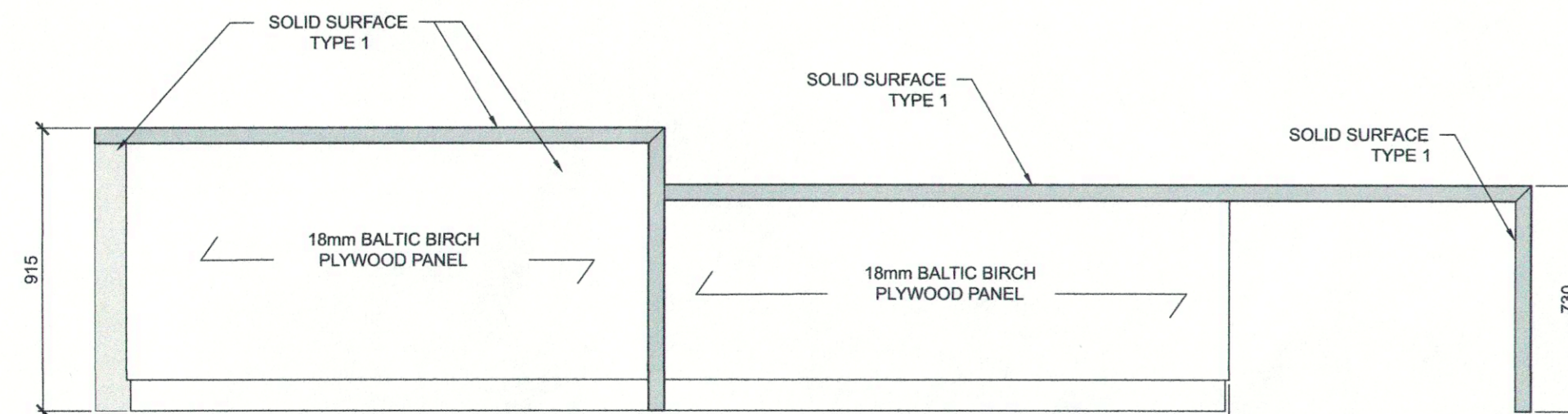
4 LIBRARY SERVICES COUNTER - SECTION  
A-501 1:10

5 LIBRARY SERVICES COUNTER - SECTION  
A-501 1:10

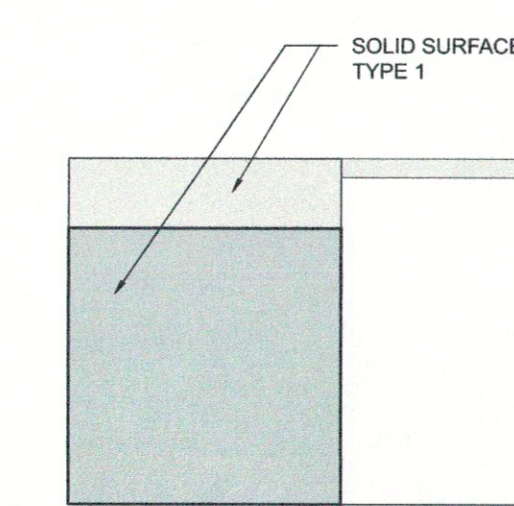
6 LIBRARY SERVICES COUNTER - SECTION  
A-501 1:10



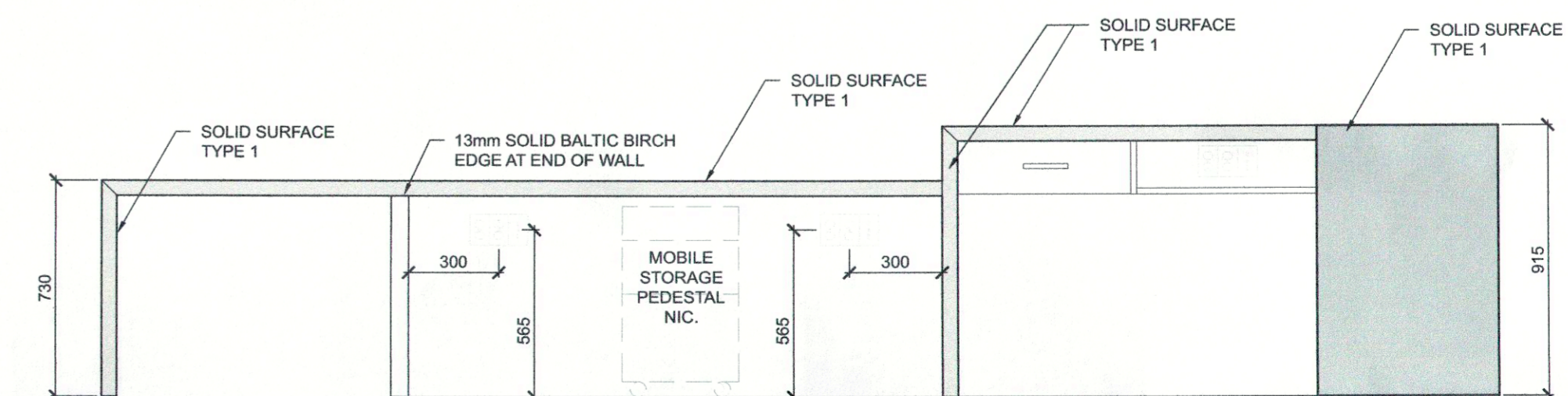
7 NORTH ELEVATION  
A-501 1:20



8 EAST ELEVATION  
A-501 1:20



9 SOUTH ELEVATION  
A-501 1:20

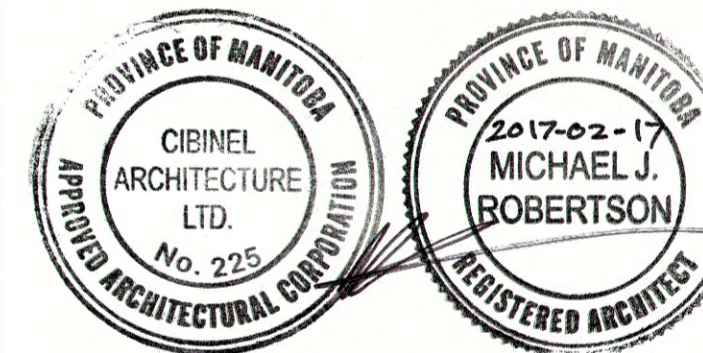


10 WEST ELEVATION  
A-501 1:20

1 2017.02.17 ISSUED FOR CONSTRUCTION

No. DATE REVISION / ISSUANCE

Sheet



Architect

**Cibinel**  
Architecture Ltd

560 ACADEMY ROAD, WINNIPEG, MB R3N 0E3  
T. 204 989 8910 F. 204 989 8920

Owner



Project

**TRANSCONA LIBRARY**  
1500 PLESSIS ROAD, WINNIPEG, MB

Sheet Title

**MILLWORK DETAILS**  
**LIBRARY SERVICES COUNTER**

Project No. Sheet

1487 **A-501**