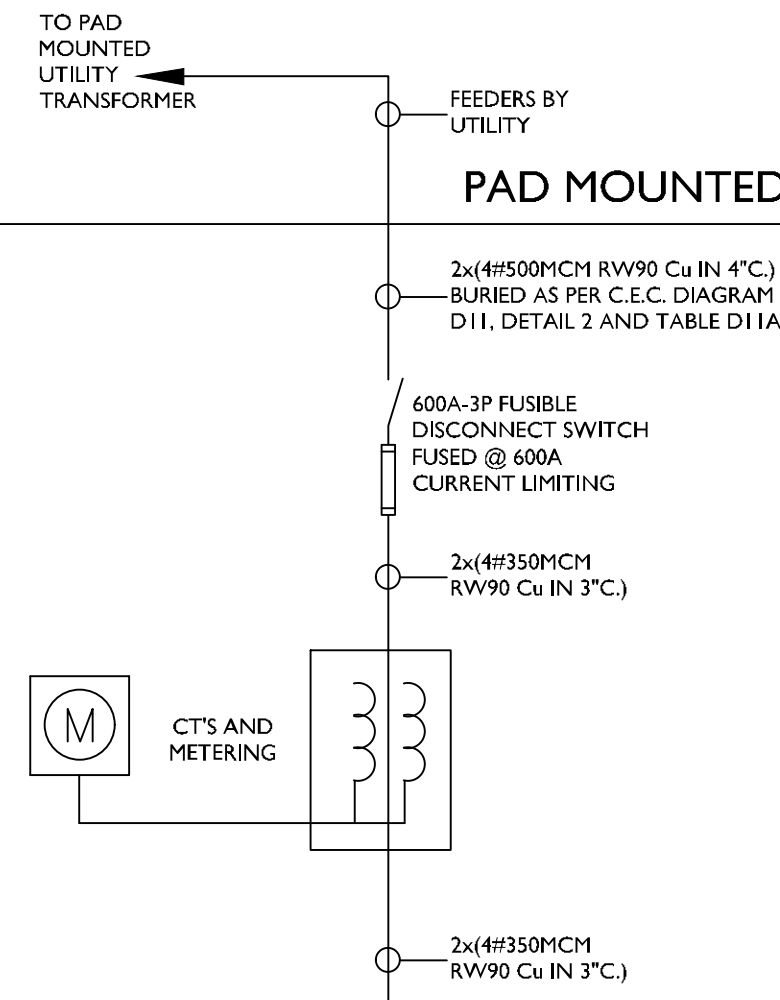


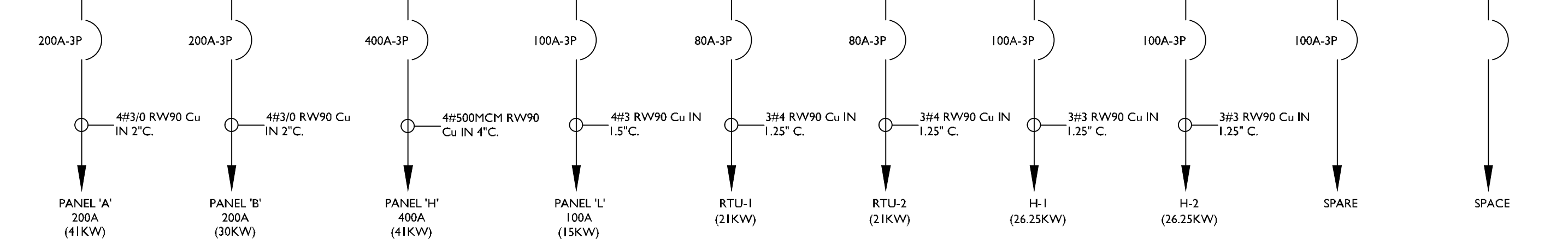
600A-120/208V-3PH-4W

PAD MOUNTED WEATHERPROOF C.S.T.E.



600A-120/208V-3PH-4W

MAIN DISTRIBUTION (MD-1)



2 SINGLE LINE RISER  
E-10 SCALE: N.T.S.

ESTIMATED LOAD SUMMARY		
TOTAL AREA		±13,832 SQFT 1,285 SPH
DESCRIPTION	SUMMER	WINTER
GENERAL POWER	20 KW	20 KW
LIGHTING	15 KW	15 KW
AIR CONDITIONING	51 KW	0 KW
ELECTRIC HEAT	0 KW	71 KW
EQUIPMENT	28 KW	28 KW
MECHANICAL	23 KW	23 KW
CAR RECEPTACLES	0 KW	4 KW
<b>TOTAL LOAD [KW]</b>	<b>137 KW</b>	<b>161 KW</b>
ESTIMATED LOAD [A] AT 120/208V-3PH-4W	381 A	447 A
ELECTRICAL SERVICE: 600A-120/208V-3PH-4W		

SYMBOL SCHEDULE

- # LINEAR LUMINAIRE. 'W' DENOTES TYPE. REFER TO LUMINAIRE SCHEDULE. 'N/L' DENOTES LUMINAIRE TO BE ON NON-SWITCHED NIGHT LIGHT CIRCUIT.
- Ⓢ CEILING MOUNTED LUMINAIRE. 'W' DENOTES TYPE. REFER TO LUMINAIRE SCHEDULE.
- Ⓢ WALL MOUNTED LUMINAIRE. 'W' DENOTES TYPE. REFER TO LUMINAIRE SCHEDULE.
- Ⓢ SINGLE POLE WALL SWITCH. 'OC' DENOTES OCCUPANCY SENSOR. 'D' DENOTES DIMMER. '3' DENOTES 3-WAY SWITCH. WATTAGE TO SUIT.
- Ⓢ CEILING MOUNTED OCCUPANCY SENSOR.
- Ⓢ EXISTING RELOCATED PUBLIC ADDRESS SPEAKER TO BE REINSTALLED AS INDICATED. RUN CABLE AND CONDUIT THROUGH CRAWLSPACE FROM DEVICE TO SERVER LOCATION IN ELECTRICAL ROOM.
- Ⓢ DUPLEX RECEPTACLE C/W TWO(2) USB OUTLETS. TYPICAL FOR ALL RECEPTACLES.
- Ⓢ SEPARATE CIRCUIT DUPLEX RECEPTACLE.
- Ⓢ DUPLEX RECEPTACLE C/W TWO(2) INTEGRAL USB OUTLETS.
- Ⓢ FLUSH FLOOR MOUNTED DUPLEX RECEPTACLE C/W TWO(2) INTEGRAL USB OUTLETS. MANUFACTURER TO BE HUBBELL SYSTEMONE.
- Ⓢ WEATHERPROOF DUPLEX RECEPTACLE.
- Ⓢ IPLC (INTELLIGENT PARKING LOT CONTROLLER) DUPLEX RECEPTACLE. RECEPTACLE IS TO BE PROGRAMMED TO LIMIT CURRENT DRAW TO BLOCK HEATER ONLY.
- Ⓢ DUPLEX RECEPTACLE MOUNTED ABOVE COUNTER. REFER TO ARCHITECTURAL ELEVATIONS.
- Ⓢ DUPLEX RECEPTACLE MOUNTED AT HIGH LEVEL. REFER TO ARCHITECTURAL ELEVATIONS.
- Ⓢ CEILING MOUNTED DUPLEX RECEPTACLE.
- Ⓢ FOURPLEX RECEPTACLE.
- Ⓢ MICROWAVE RECEPTACLE. REFER TO ARCHITECTURAL ELEVATIONS.
- Ⓢ G.F.C.I. PROTECTED DUPLEX RECEPTACLE.
- Ⓢ T-SLOT DUPLEX RECEPTACLE. WIRE TO A 20A-1P CIRCUIT BREAKER.
- Ⓢ DATA OUTLET C/W COVERPLATE. RUN TWO(2) CAT6 CABLES IN CONDUIT WITHIN WALLS TO CRAWLSPACE AND ON J-HOOKS IN CRAWLSPACE TO SERVER LOCATION. PROVIDE RJ45 JACKS, TERMINATIONS, AND TESTING. 'WIFI' DENOTES WIFI ACCESS POINT MOUNTED AT 11'-0" A.F.F. CABLING SHALL BE PANDUIT, NORDX/CDT, BELDEN, AMP-NETCONNECT OR COMMSCOPE-SYSTEMAX.
- Ⓢ MICROPHONE JACK. PROVIDE ONE(1) - 3/4" CONDUIT AND CABLING IN CRAWLSPACE TO PUBLIC ADDRESS SYSTEM LOCATED IN SERVER ROOM.
- Ⓢ TELEPHONE/CATV PANELS STACKED. PROVIDE FIRE RETARDANT PLYWOOD BACKBOARD TO UTILITY SATISFACTION. RUN PVC CONDUITS FROM TELEPHONE UTILITY PEDESTAL TO LEFT HAND SIDE OF BACKBOARD. COORDINATE ALL REQUIREMENTS WITH TELEPHONE AND CATV UTILITIES ON SITE.
- Ⓢ JUNCTION BOX.
- Ⓢ DISHWASHER.
- Ⓢ HAND DRYER - QUIET TYPE. MANUFACTURER: XLERATOR XL-SB-I-1IN-120.
- Ⓢ MOTOR. REFER TO MECHANICAL SCHEDULE. COORDINATE EXACT LOCATION AND REQUIREMENTS WITH EQUIPMENT INSTALLER.
- Ⓢ DISCONNECT SWITCH - SUPPLIED BY ELECTRICAL CONTRACTOR. REFER TO MECHANICAL SCHEDULE. COORDINATE EXACT REQUIREMENTS WITH EQUIPMENT INSTALLER.
- Ⓢ MOTORIZED DAMPER PROVIDED BY MECHANICAL WIRE AND CONNECT AS REQUIRED.
- Ⓢ VOLUME CONTROL.
- Ⓢ FIRE ALARM CARBON MONOXIDE DETECTOR POWERED BY FIRE ALARM PANEL C/W SOUNDER BASE. CO DETECTION SHALL BE TO NBC 6.2.4.2. AND NFPA 720.
- Ⓢ FIRE ALARM PULL STATION DEVICE.
- Ⓢ FIRE ALARM SMOKE DETECTOR. 'CO' DENOTES CARBON MONOXIDE DETECTOR.
- Ⓢ FIRE ALARM HEAT DETECTOR. 'FT' DENOTES FIXED TEMP. 'MP' DENOTES MOISTURE PROOF.
- Ⓢ FIRE ALARM HORN/STROBE DEVICE. 'S' DENOTES STROBE ONLY.
- Ⓢ EMERGENCY LIGHTING BATTERY BANK C/W DOUBLE LED HEADS. 12V. WATTAGE TO SUIT. REFER TO EMERGENCY LIGHTING AND SIGNAGE RISER.
- Ⓢ DOUBLE LED EMERGENCY HEADS. WIRE TO BATTERY BANK. 12V. 'R' DENOTES RECESSED TYPE. REFER TO EMERGENCY LIGHTING AND SIGNAGE RISER.
- Ⓢ LED EGRESS SIGN. WIRE TO BATTERY BANK. REFER TO EMERGENCY LIGHTING AND SIGNAGE RISER.
- Ⓢ SECURITY SYSTEM CARD READER BY CITY. RUN HONEYWELL 18(4) + 22(2+4+6) IS CMP PROFN SC MODEL # 31955099 CABLING IN CONDUIT WITHIN WALLS TO CRAWLSPACE AND ON J-HOOKS IN CRAWLSPACE TO SECURITY SYSTEM CONTROLLER LOCATION.
- Ⓢ SECURITY SYSTEM ELECTRIC STRIKE BY CITY. RUN HONEYWELL 18(4) + 22(2+4+6) IS CMP PROFN SC MODEL # 31955099 CABLING IN CONDUIT WITHIN WALLS TO CRAWLSPACE AND ON J-HOOKS IN CRAWLSPACE TO SECURITY SYSTEM CONTROLLER LOCATION.
- Ⓢ SECURITY SYSTEM CAMERA BY CITY. RUN CAT6 CABLING IN CONDUIT WITHIN WALLS TO CRAWLSPACE AND ON J-HOOKS IN CRAWLSPACE TO SECURITY SYSTEM CONTROLLER LOCATION. PROVIDE 3" OF SLACK CABLE AT BOTH ENDS. CABLING SHALL BE PANDUIT, NORDX/CDT, BELDEN, AMP-NETCONNECT OR COMMSCOPE-SYSTEMAX.



PANEL 'A'						
200A-120/208V-3PH-4W						
SURFACE MOUNTED IN MECHANICAL/ELECTRICAL ROOM 107						
DESCRIPTION	CIRCUIT BREAKER	PHASE A	PHASE B	PHASE C	DESCRIPTION	
*OPEN SIGN* SC RECEPTACLE	15	1	φ	2	15	EXTERIOR RECEPTACLE
AUTOMATIC DOOR	20	3	φ	4	15	BAS CONTROL PANEL
AUTOMATIC DOOR	20	5	φ	6	15	AHU-1
IPLC CAR RECEPTACLE	15	7	φ	8	15	EF-2
IPLC CAR RECEPTACLE	15	9	φ	10	20	CL-1
IPLC CAR RECEPTACLE	15	11	φ	12	20	SF-1
SPARE	20	13	φ	14	15	SP-1A/B
SPARE	15	15	φ	16	20	EF-3
MONITOR	15	17	φ	18	15	SPARE
MONITOR	15	19	φ	20	15	SPARE
MONITOR	15	21	φ	22	15	SPARE
BARRIER FREE DOOR OPERATOR	15	23	φ	24	15	SELF CHECKOUT STATION
BARRIER FREE DOOR OPERATOR	15	25	φ	26	15	SPARE
BARRIER FREE DOOR OPERATOR	15	27	φ	28	15	SELF CHECKOUT STATION
BARRIER FREE DOOR OPERATOR	15	29	φ	30	15	SPARE
BARRIER FREE DOOR OPERATOR	15	31	φ	32	15	SELF CHECKOUT STATION
BARRIER FREE DOOR OPERATOR	15	33	φ	34	15	SPARE
BARRIER FREE DOOR OPERATOR	15	35	φ	36	15	SPARE
SPARE	15	37	φ	38	15	RECEPTACLES
SPARE	20	39	φ	40	15	SC RECEPTACLE
GF T-SLOT RECEPTACLE	20	41	φ	42	15	PHONE CHARGING STATION
MICROWAVE RECEPTACLE	20	43	φ	44	15	COMPUTER WORKSTATION RECEPTACLE
REFRIGERATOR RECEPTACLE	15	45	φ	46	15	COMPUTER WORKSTATION RECEPTACLE
HAND DRYER	20	47	φ	48	15	COMPUTER WORKSTATION RECEPTACLE
GF RECEPTACLE	15	49	φ	50	15	COMPUTER WORKSTATION RECEPTACLE
COMPUTER WORKSTATION RECEPTACLE	15	51	φ	52	15	COMPUTER WORKSTATION RECEPTACLE
COMPUTER WORKSTATION RECEPTACLE	15	53	φ	54	15	COMPUTER WORKSTATION RECEPTACLE
COMPUTER WORKSTATION RECEPTACLE	15	55	φ	56	15	SC RECEPTACLE
COMPUTER WORKSTATION RECEPTACLE	15	57	φ	58	15	SC RECEPTACLE
COMPUTER WORKSTATION RECEPTACLE	15	59	φ	60	15	SC RECEPTACLE
COMPUTER WORKSTATION RECEPTACLE	15	61	φ	62	15	GF T-SLOT RECEPTACLE
COMPUTER WORKSTATION RECEPTACLE	15	63	φ	64	15	SPARE
COMPUTER WORKSTATION RECEPTACLE	15	65	φ	66	15	SPARE
COMPUTER WORKSTATION RECEPTACLE	15	67	φ	68	15	SPARE
COMPUTER WORKSTATION RECEPTACLE	15	69	φ	70	30	DWH-1 #10 WIRE
COMPUTER WORKSTATION RECEPTACLE	15	71	φ	72	30	DWH-1 #10 WIRE
COMPUTER WORKSTATION RECEPTACLE	15	73	φ	74	30	DWH-1 #10 WIRE
COMPUTER WORKSTATION RECEPTACLE	15	75	φ	76	20	SC RECEPTACLE
COMPUTER WORKSTATION RECEPTACLE	15	77	φ	78	20	SC RECEPTACLE
COMPUTER WORKSTATION RECEPTACLE	15	79	φ	80	20	SC RECEPTACLE
COMPUTER WORKSTATION RECEPTACLE	15	81	φ	82	15	CRAWLSPACE RECEPTACLES
COMPUTER WORKSTATION RECEPTACLE	15	83	φ	84	15	MOTORIZED DAMPER
COMPUTER WORKSTATION RECEPTACLE	15	85	φ	86	-	SPACE
COMPUTER WORKSTATION RECEPTACLE	15	87	φ	88	-	SPACE
SPARE	15	89	φ	90	-	SPACE
SPARE	15	91	φ	92	-	SPACE
SPARE	15	93	φ	94	-	SPACE
SPARE	15	95	φ	96	-	SPACE
SPARE	15	97	φ	98	-	SPACE
SPARE	15	99	φ	100	-	SPACE
SPARE	15	101	φ	102	-	SPACE
SPARE	15	103	φ	104	-	SPACE
SPARE	15	105	φ	106	-	SPACE
SPARE	15	107	φ	108	-	SPACE
SPARE	15	109	φ	110	-	SPACE
SPARE	15	111	φ	112	-	SPACE
SPARE	15	113	φ	114	15	INTRUSION ALARM SYSTEM
BHC-1 #10 WIRE	30	115	φ	116	15	SECURITY SYSTEM CONTROLLER
		117	φ	118	15	FIRE ALARM PANEL
		119	φ	120	15	TELEPHONE/CATV PANEL

PANEL 'B'					
200A-120/208V-3PH-4W					
RECESSED IN PROGRAM ROOM STORAGE 114					
DESCRIPTION	CIRCUIT BREAKER	PHASE A	PHASE B	PHASE C	DESCRIPTION
COMPUTER WORKSTATION RECEPTACLE	15	1	φ	2	
COMPUTER WORKSTATION RECEPTACLE	15	3	φ	4	40
COMPUTER WORKSTATION RECEPTACLE	15	5	φ	6	
COMPUTER WORKSTATION RECEPTACLE	15	7	φ	8	20
SPARE	15	9	φ	10	15
RECEPTACLES	15	11	φ	12	15
RECEPTACLES	15	13	φ	14	15
RECEPTACLES	15	15	φ	16	15
RECEPTACLES	15	17	φ	18	15
RECEPTACLES	15	19	φ	20	15
RECEPTACLES	15	21	φ	22	15
SPARE	15	23	φ	24	15
MONITOR	15	25	φ	26	15
SPARE	15	27	φ	28	20
SPARE	15	29	φ	30	20
SPARE	15	31	φ	32	15
COMPUTER WORKSTATION RECEPTACLE	15	33	φ	34	20
COMPUTER WORKSTATION RECEPTACLE	15	35	φ	36	-
COMPUTER WORKSTATION RECEPTACLE	15	37	φ	38	-
COMPUTER WORKSTATION RECEPTACLE	15	39	φ	40	15
COMPUTER WORKSTATION RECEPTACLE	15	41	φ	42	15
COMPUTER WORKSTATION RECEPTACLE	15	43	φ	44	15
COMPUTER WORKSTATION RECEPTACLE	15	45	φ	46	15
DRINKING FOUNTAIN	15	47	φ	48	15
BARRIER FREE DOOR OPERATOR	15	49	φ	50	15
SPACE	-	51	φ	52	15
SPACE	-	53	φ	54	15
SPACE	-	55	φ	56	15
SPACE	-	57	φ	58	15
SPACE	-	59	φ	60	15
SPACE	-	61	φ	62	15
SPACE	-	63	φ	64	15
SPACE	-	65	φ	66	15
SPACE	-	67	φ	68	15
SPACE	-	69	φ	70	15
SPACE	-	71	φ	72	15
SPACE	-	73	φ	74	15
SPACE	-	75	φ	76	15
SPACE	-	77	φ	78	15
DWH-2 #10 WIRE	30	79	φ	80	15
		81	φ	82	20
		83	φ	84	15

GENERAL ELECTRICAL NOTES

- DRAWINGS TO BE READ IN CONJUNCTION WITH PROGRAM OF REQUIREMENTS.
- ADHERE TO 2015 CITY OF WINNIPEG ACCESSIBILITY DESIGN STANDARDS (3RD EDITION).

No.	DATE	REVISION /ISSUANCE
2	2017.03.14	ISSUED FOR ELEC. ADDENDUM #2
1	2017.02.17	ISSUED FOR CONSTRUCTION



CGM 2-472 STRADBROOK AVENUE  
WINNIPEG, MB R3L 0J9  
(204) 272-3255  
ENGINEERING LTD. O B : 1 6 1 1 2 6

**Cibinel Architecture Ltd**  
560 ACADEMY ROAD WINNIPEG, MB R3L 0E3  
T. 204 989 8910 F. 204 989 8920



**TRANSCONA LIBRARY**  
1500 PLESSIS ROAD, WINNIPEG, MB

**ELECTRICAL SINGLE LINE RISER**

Project No. 1487 Sheet **E-100**