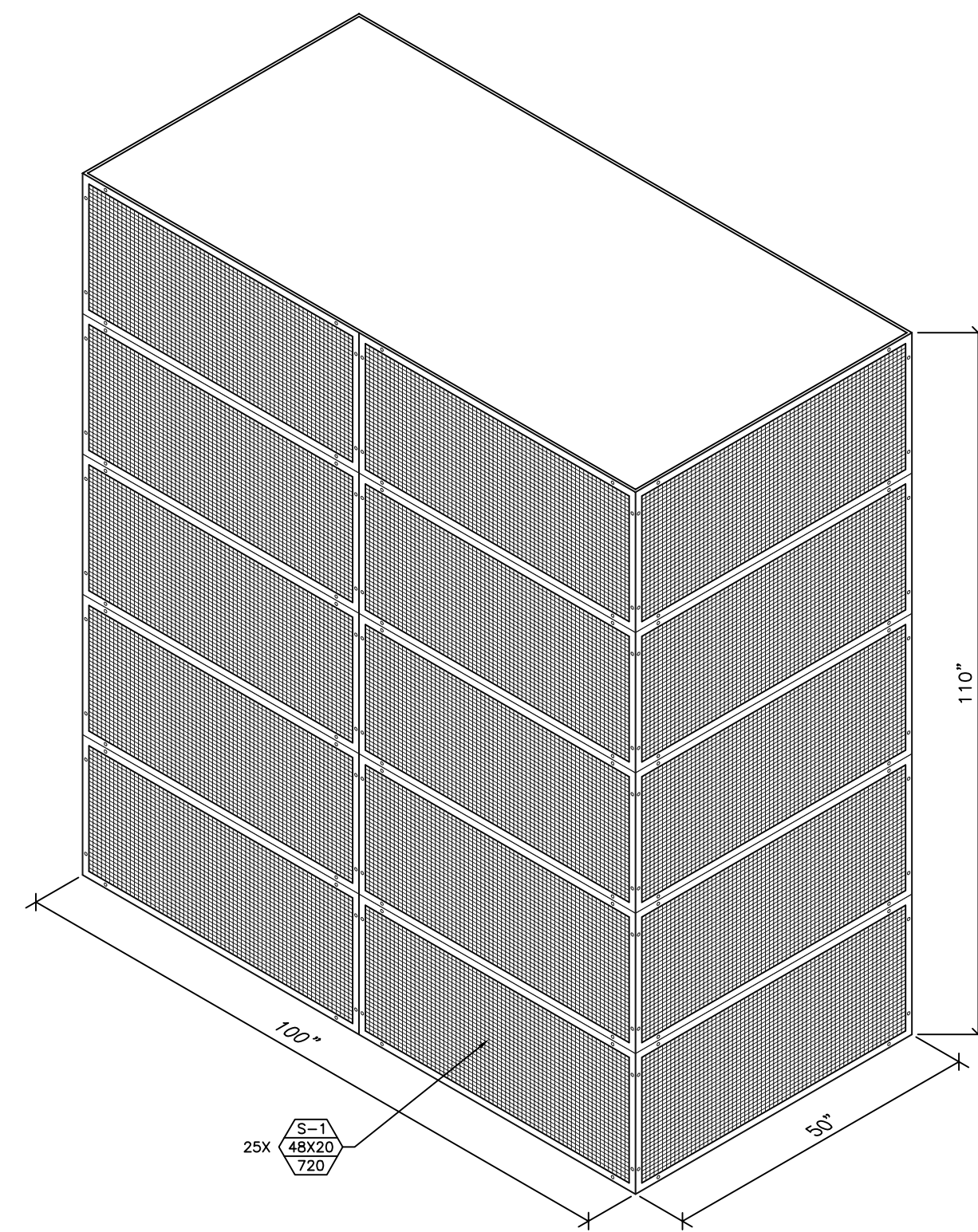
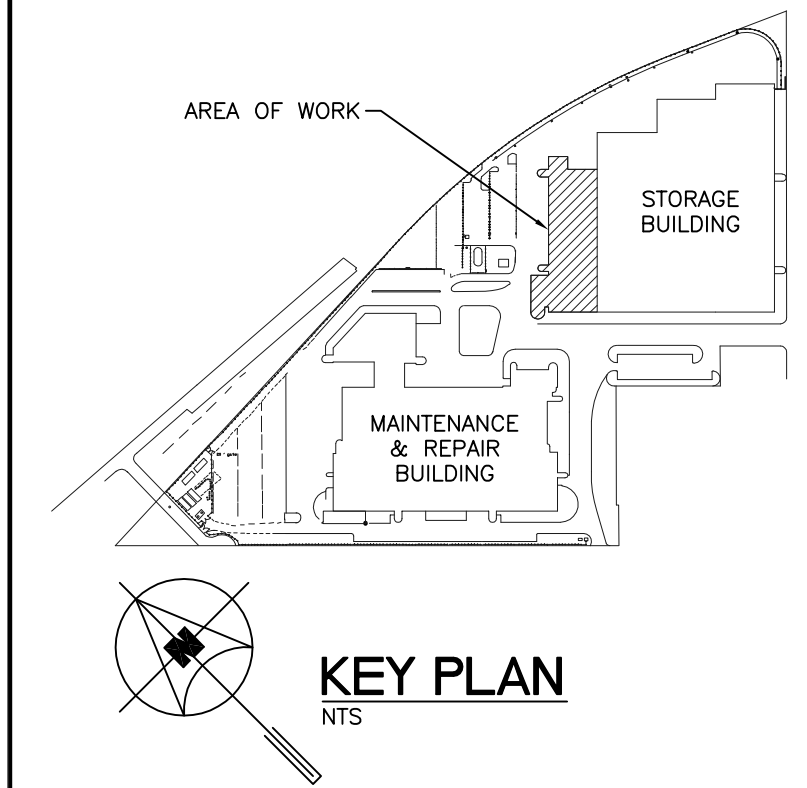
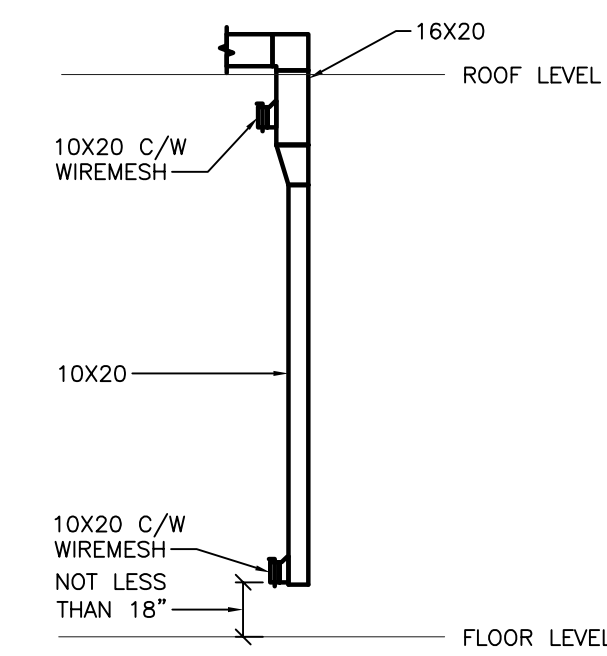


GENERAL NOTES

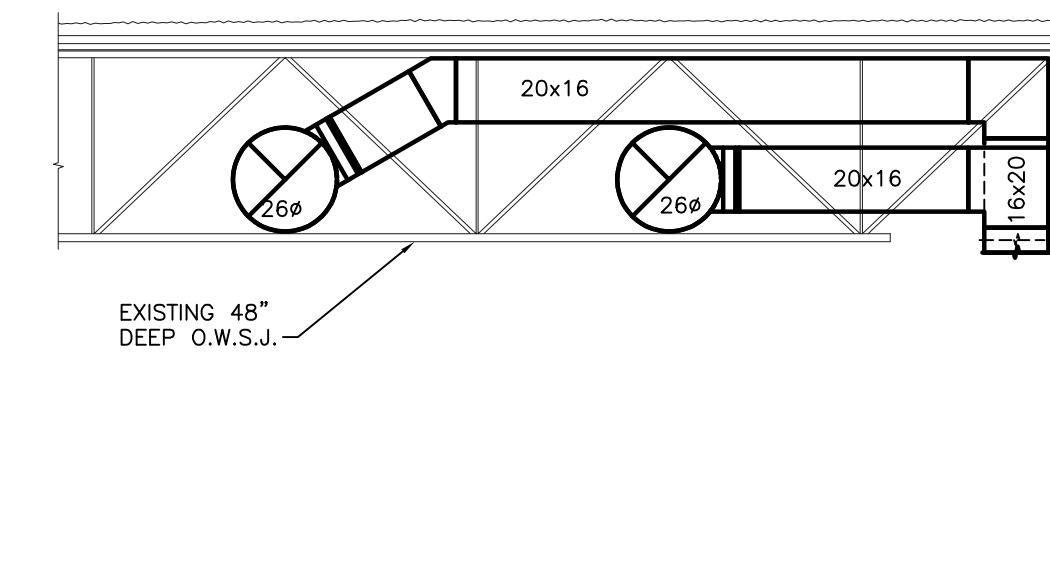
- A. REFER TO SCOPE OF WORK DESCRIPTION IN FRONT END SPECIFICATIONS FOR SEQUENCING.
- B. THIS BUILDING MAY CONTAIN ASBESTOS. REFER TO FRONT END SPECIFICATIONS FOR FURTHER INFORMATION.



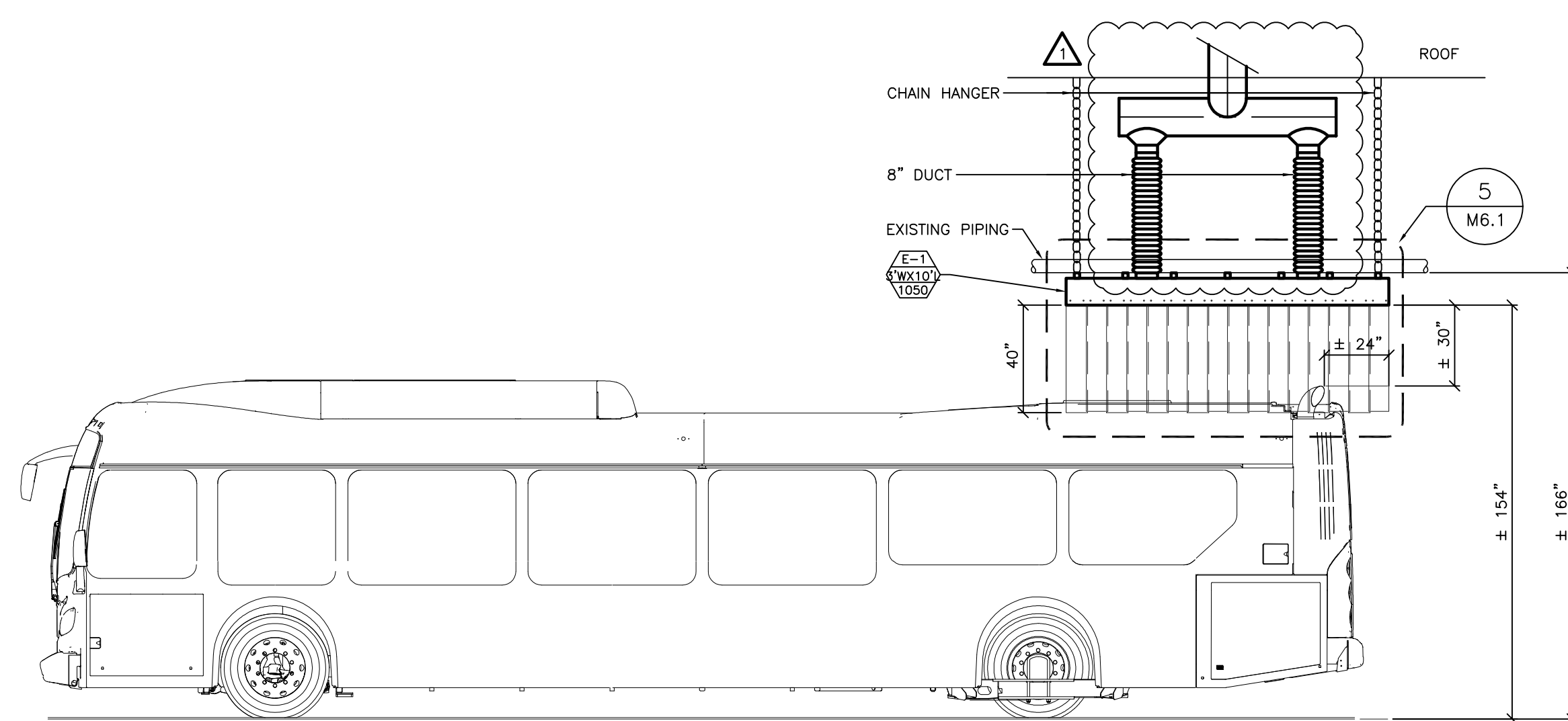
1 SUPPLY AIR PLENUM DETAIL
M6.1 SCALE: N.T.S.



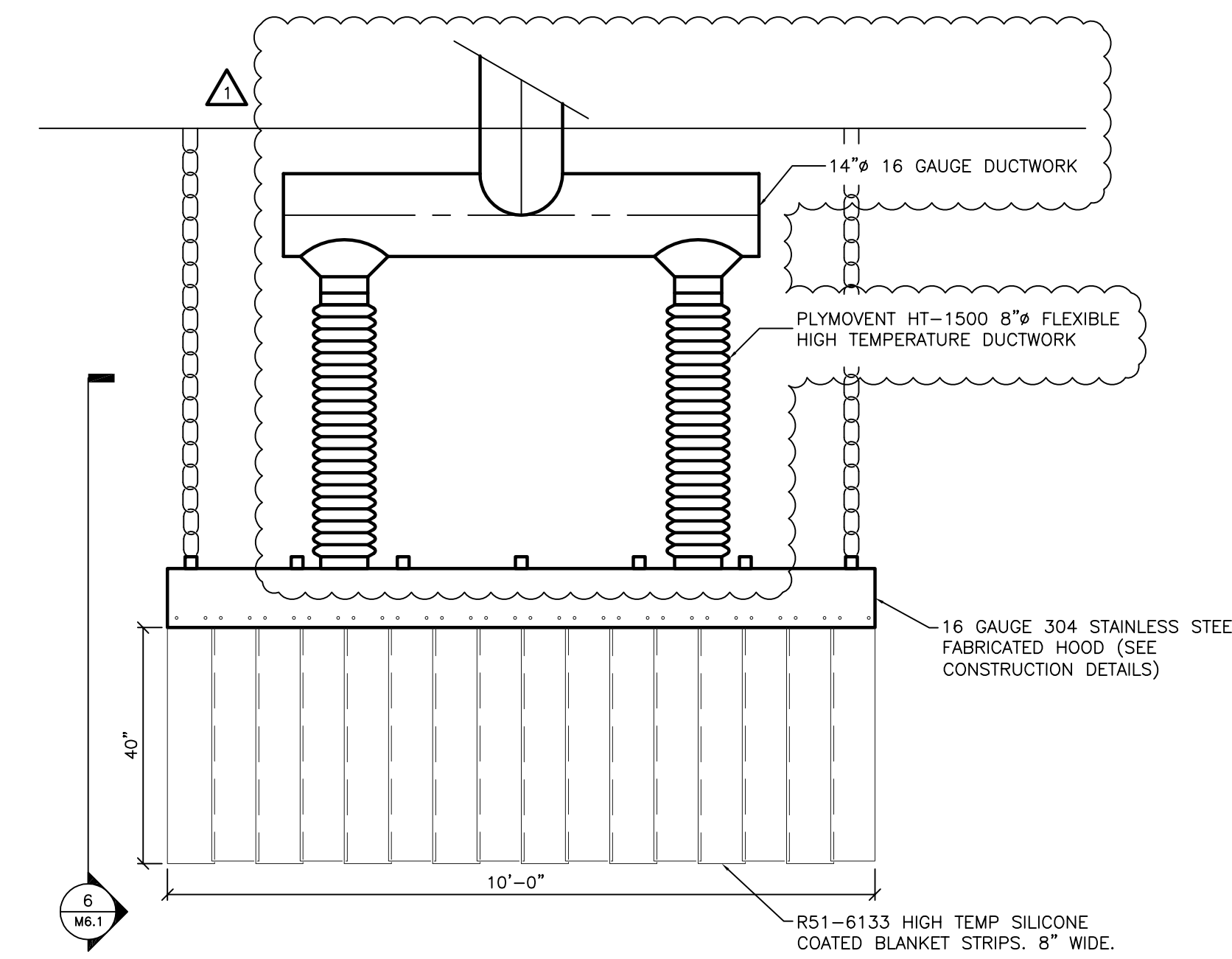
2 EXHAUST RISER SECTION
M6.1 SCALE: N.T.S.



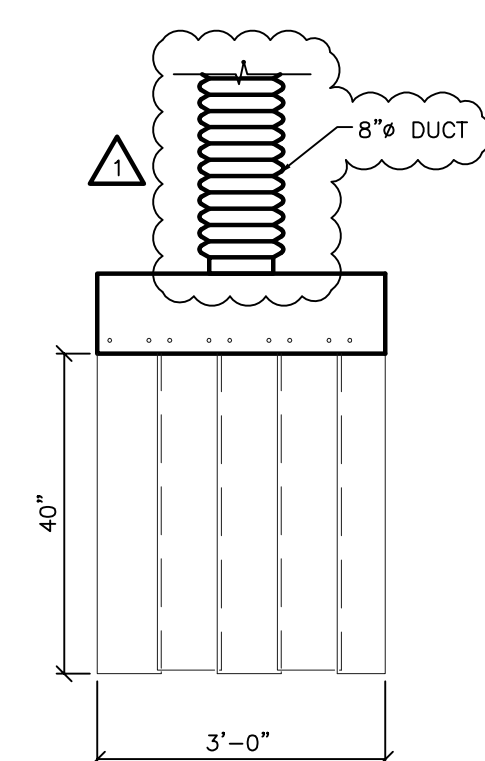
3 B-SECTION - DUCTS IN JOIST SPACE
M6.1 SCALE: N.T.S.



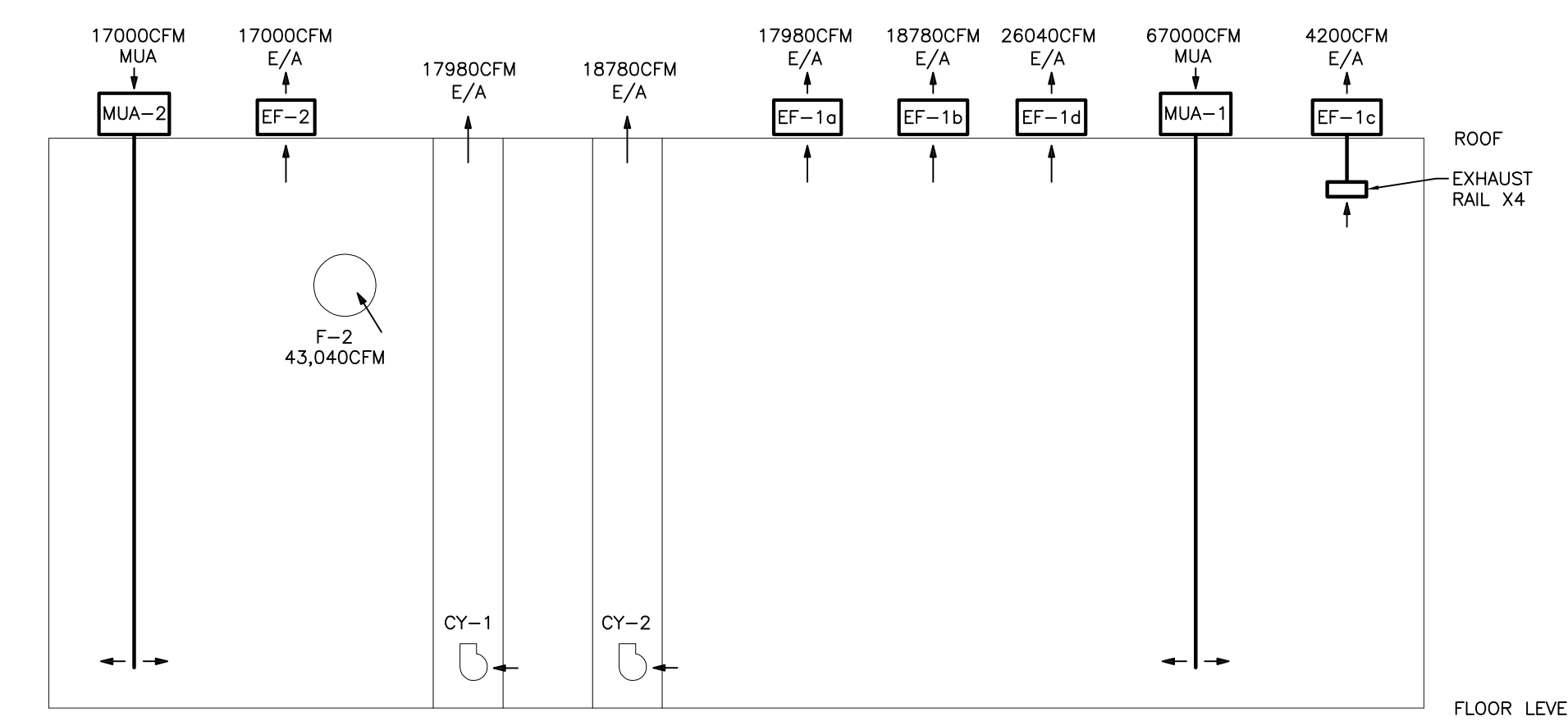
4 BUS EXHAUST RAIL - SECTION
M6.1 SCALE: N.T.S.



5 BUS EXHAUST RAIL - LONG SECTION DETAIL
M6.1 SCALE: N.T.S.



6 BUS EXHAUST RAIL - CROSS SECTION DETAIL
M6.1 SCALE: N.T.S.



7 VENTILATION SCHEMATIC - SERVICE BAY
M6.1 SCALE: N.T.S.

5			
4			
3			
2			
1	ISSUED FOR ADDENDUM 2	JH	20/11/15
0	ISSUED FOR CONSTRUCTION	JH	27/10/15
NO.	Description	BY	DD/MM/YY

APGM
Certificate of Authorization
SMB Engineering Ltd.
No. 166 Expiry: April 30, 2016

ORIGINAL
CONTRACT DRAWING
BONDED AND SEALED BY
J. T. HORROCKS, P. ENG
OCTOBER 27, 2015

770 Bradford Street
Winnipeg, Canada
T 204 775 0291
SMSeng.com



Winnipeg Transit

Project Title
**CITY OF WINNIPEG FORT ROUGE
TRANSIT BASE - SERVICE BAY AND
B-SECTION VENTILATION UPGRADE**
WINNIPEG MANITOBA

Drawing Title
**MECHANICAL SECTIONS
AND DETAILS**

Drawn By	Checked By	Approved By
GB/IE	JH	JH
Scale	Date	Project No
AS SHOWN	JULY 2014	14-194-01
Revision Number	Drawing Number	Sheet Order
1	M6.1	11 OF 11