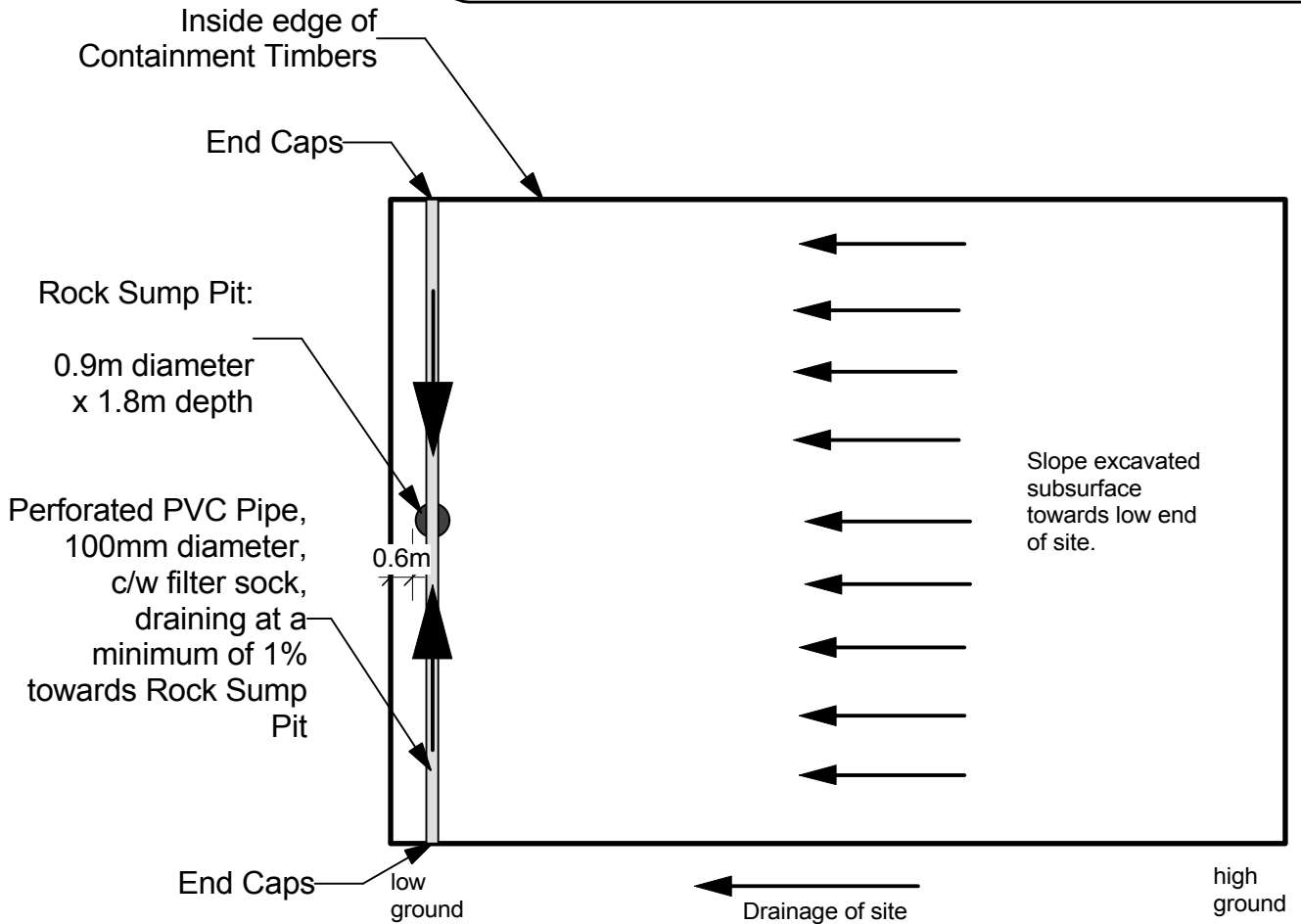
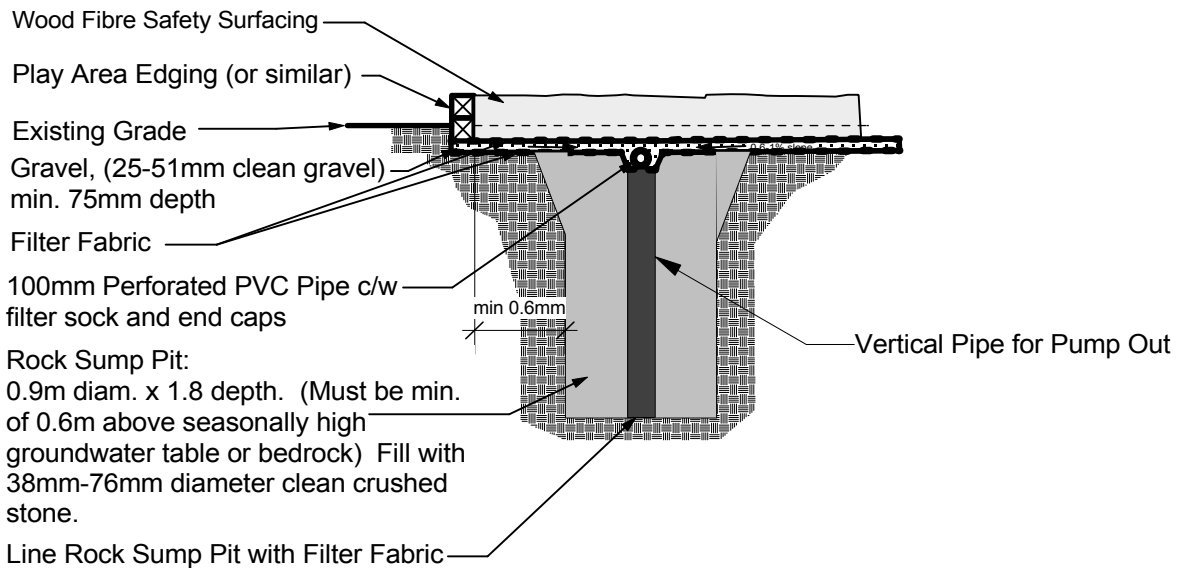


# Wood Fibre Safety Surfacing Drainage Diagram

## SCD 650



Plan  
NTS



Section  
NTS

Drawn By: SP

Date: Jan 2009

THE CITY OF WINNIPEG  
 Planning, Property and Development Department  
 Planning and Land Use Division  
 Unit 15 - 10 Fort Street, Winnipeg, MB, R3C 4X5

