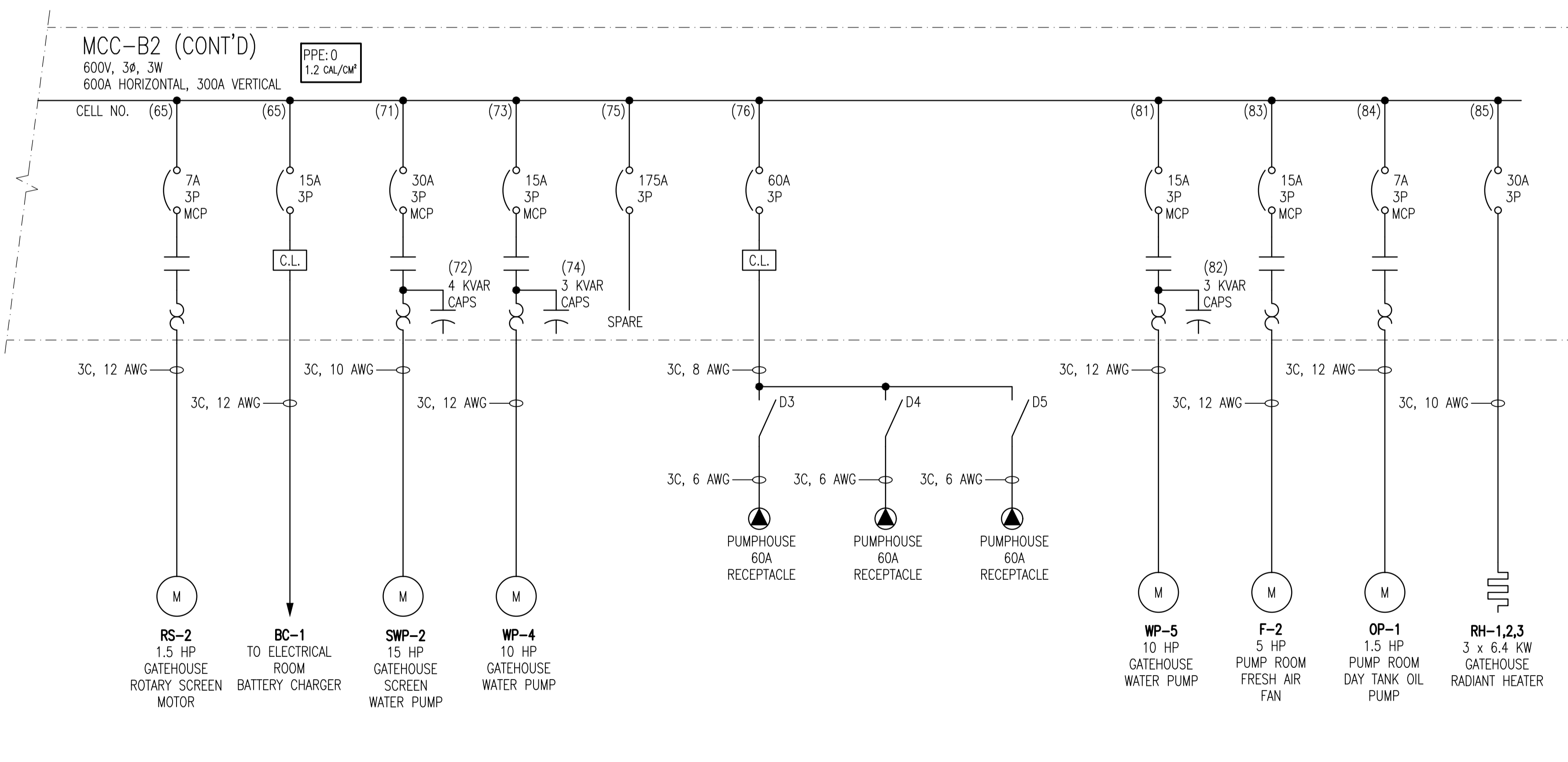
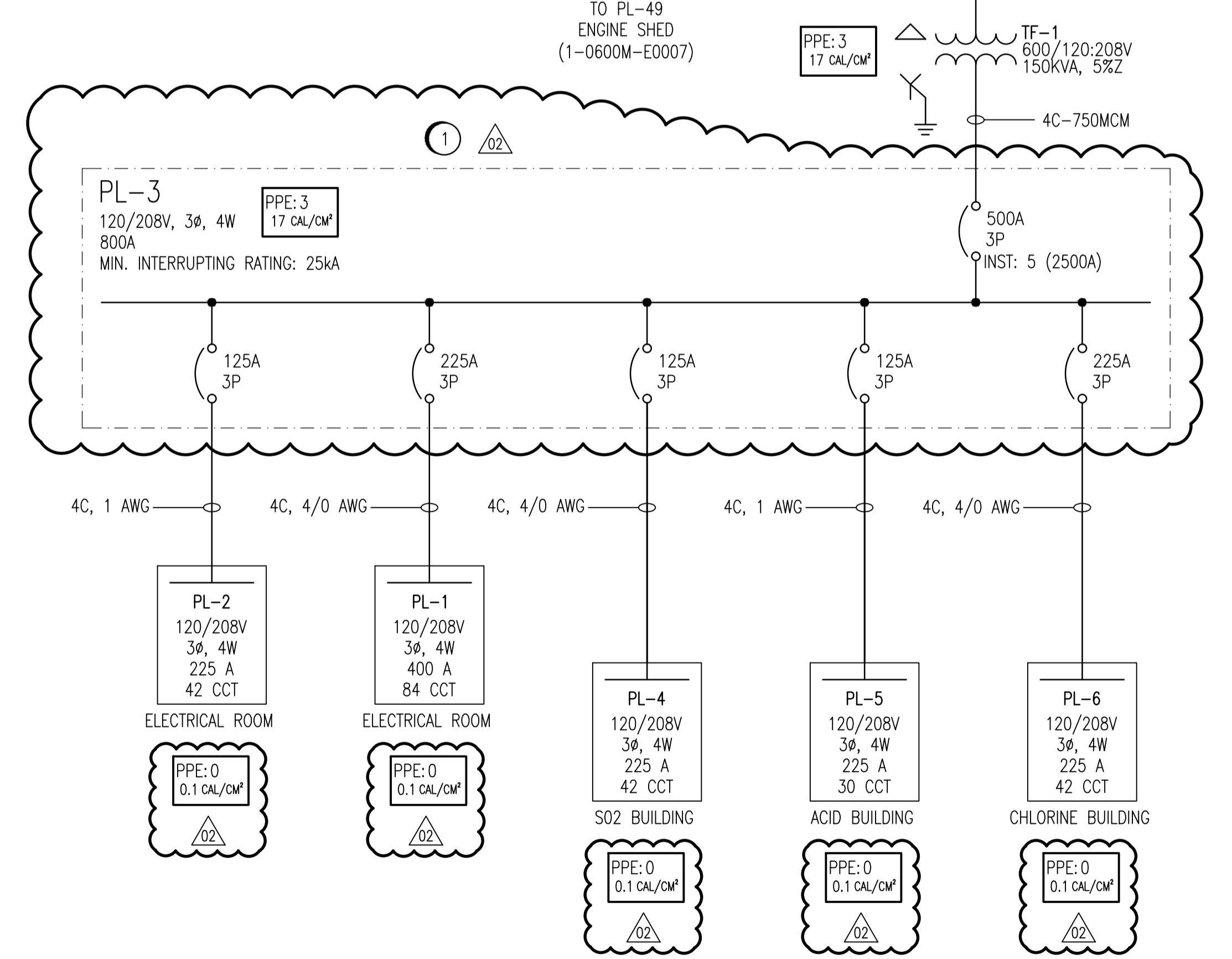
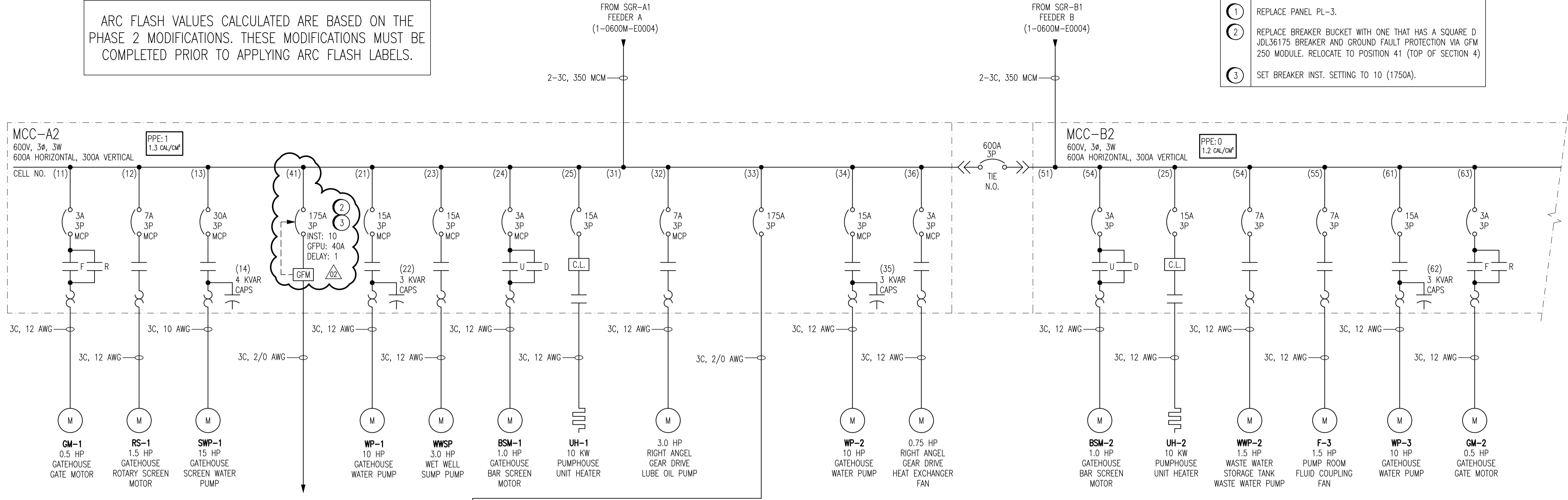


ARC FLASH VALUES CALCULATED ARE BASED ON THE PHASE 2 MODIFICATIONS. THESE MODIFICATIONS MUST BE COMPLETED PRIOR TO APPLYING ARC FLASH LABELS.

- CONSTRUCTION NOTES**
- 1 REPLACE PANEL PL-3.
  - 2 REPLACE BREAKER BUCKET WITH ONE THAT HAS A SQUARE D JDL36175 BREAKER AND GROUND FAULT PROTECTION VIA GFM 250 MODULE. RELOCATE TO POSITION 41 (TOP OF SECTION 4)
  - 3 SET BREAKER INST. SETTING TO 10 (1750A).



- NOTES:**
1. THIS DRAWING CONTAINS UNVERIFIED INFORMATION FROM EXISTING DOCUMENTATION.
  2. THE ENGINEERS DESIGN RESPONSIBILITY IS LIMITED TO THE ARC FLASH STUDY AND RECOMMENDED MITIGATION.



NO.	REVISIONS	DATE	DESIGN	CHECK
02	REPLACED PL-3 AND ADDED GFM	2011/04/01	TMC	CJR
01	UPDATED DRAWING	2010/07/30	TMC	CJR
00	ISSUED FOR CITY USE	2010/05/18	BK	CJR

		DESIGNED BY: B. KING CHECKED BY: C. REIMER DRAWN BY: D. RAMJEET APPROVED BY: C. REIMER SCALE: NTS DATE: 2009/10/07 CONSULTANT NO.:	ENGINEER'S SEAL  ORIGINAL DRAWING SEALED BY: T. M. CHURCH SNC-Lavalin MEMBER #32682 2011/04/11 REV. 02 CHANGES ONLY
--	--	--	--

THE CITY OF WINNIPEG  
 WATER AND WASTE DEPARTMENT  
 SHOAL LAKE INTAKE FACILITY  
 ARC FLASH STUDY  
 ELECTRICAL SINGLE LINE DIAGRAM  
 600V MCC & 120/208V DISTRIBUTION  
 ELECTRICAL ROOM  
 CITY DRAWING NUMBER: 1-0600M-E0005  
 SHEET: 001  
 REV: 02  
 SIZE: A1

DRAWING NUMBER	REFERENCE DRAWINGS
1-0600M-E0003	ELECTRICAL SINGLE LINE DIAGRAM LEGEND & DETAILS
1-0600M-E0004	ELECTRICAL SINGLE LINE DIAGRAM 600V SWITCHGEAR
	ELECTRICAL ROOM
1-0600M-E0006	ELECTRICAL SINGLE LINE DIAGRAM 600V & 120/208/240V DISTRIBUTION
	ELECTRICAL SHED & STAFFHOUSE
1-0600M-E0007	ELECTRICAL SINGLE LINE DIAGRAM 600V & 120/208/240V DISTRIBUTION
	ENGINE SHED