

FORM A: BID
(See B8)

1. Contract Title RENTAL OF STREET SWEEPERS

2. Bidder

Name of Bidder

Usual Business Name of Bidder as it appears on Invoice (if different from above)

Street

City

Province

Postal Code

(Mailing address if different)

Email Address of Bidder

Facsimile Number

Street or P.O. Box

City

Province

Postal Code

(Choose one)

GST Registration Number (if applicable)

The Bidder is:

a sole proprietor

a partnership

a corporation

carrying on business under the above name.

3. Contact Person

The Bidder hereby authorizes the following contact person to represent the Bidder for purposes of the Bid.

Contact Person

Title

Telephone Number

Facsimile Number

Email Address

4. Definitions

All capitalized terms used in the Contract shall have the meanings ascribed to them in the General Conditions and D3.

5. Offer The Bidder hereby offers to perform the Work in accordance with the Contract for the price(s), in Canadian funds, set out on Form B: Prices, appended hereto.

6. Commencement of the Work The Bidder agrees that no Work shall commence until he/she is in receipt of a notice of award from the Award Authority authorizing the commencement of the Work.

7. Contract The Bidder agrees that the Bid Opportunity in its entirety shall be deemed to be incorporated in and to form a part of this offer notwithstanding that not all parts thereof are necessarily attached to or accompany this Bid.

8. Addenda The Bidder certifies that the following addenda have been received and agrees that they shall be deemed to form a part of the Contract:

| No. | Dated |
|-------|-------|
| _____ | _____ |
| _____ | _____ |
| _____ | _____ |

9. Time This offer shall be open for acceptance, binding and irrevocable for a period of sixty (60) Calendar Days following the Submission Deadline.

10. Signatures The Bidder or the Bidder's authorized official or officials have signed this _____ day of _____, 20____.

Signature of Bidder or
Bidder's Authorized Official or Officials

(Print here name and official capacity of individual whose signature appears above)

(Print here name and official capacity of individual whose signature appears above)

FORM B: PRICES
(See B9)

RENTAL OF STREET SWEEPERS

UNIT PRICES

| ITEM NO. | DESCRIPTION | SPEC. REF. | UNIT PER MONTH (A) | TOTAL QUANTITY (B) | TERM (C) | TOTAL AMOUNT (A)X(B)X(C) |
|----------|---------------------------------------|------------|--------------------|--------------------|----------|--------------------------|
| 1. | Rental of (3) Wheeled Street Sweepers | 15056 | Month | 4 | 7 months | |

Name of Bidder

FORM N: DETAILED SPECIFICATIONS 15056

RENTAL OF SWEEPERS

1.0 **INTENT-**

- 1.1 It is the intent of these specifications is to describe the (7) month rental of (4) street sweepers. The rental shall include full service and maintenance of the entire machines including conveyors to be performed by the Contractor throughout the entire duration of the rental period.
- 1.2 The rental street sweepers shall be the manufacturer's latest model as may be modified by these specifications. The street sweepers shall be furnished complete and ready for use. Any parts not specifically mentioned, but which are required to complete and place the unit in successful operation, shall be furnished as though specifically mentioned in these specifications. The complete units, and all parts thereof, shall conform in strength and quality of material and workmanship, to the best standards and engineering practice of the industry.
- 1.3 The ratings specified herein state the minimum values acceptable to the City, not implying that these values are sufficient for the design of the particular unit being bid.

2.0 **STANDARDS-**

- 2.1 All applicable SAE Standards form an integral part of these specifications and shall have precedence in any conflict concerning minimum acceptable standards.
- 2.2 The completed street sweepers shall comply with the Canada Motor Vehicle Safety Act and the Manitoba Highway Traffic Act and all regulations thereunder.
- 2.3 The street sweepers supplied under this contract shall be complete with a current Manitoba Safety Sticker affixed to the driver's side window. The certification shall be renewed by the Contractor throughout the duration of the rental as required by Province of Manitoba safety regulations.
- 2.4 The Street Sweepers and all its components and attachments shall comply with the **applicable** regulations:

[Highway Traffic Act = http://web2.gov.mb.ca/laws/statutes/ccsm/h060e.php](http://web2.gov.mb.ca/laws/statutes/ccsm/h060e.php)

[Manitoba Motor Vehicle Act = http://www.tc.gc.ca/acts-regulations/GENERAL/M/mvsa/menu.htm](http://www.tc.gc.ca/acts-regulations/GENERAL/M/mvsa/menu.htm)

[Canadian Motor Vehicle Safety Standards, CMVSS = http://www.gnb.ca/0062/regs/83-163.htm](http://www.gnb.ca/0062/regs/83-163.htm)

[Transport Canada = http://laws.justice.gc.ca/en/notice/index.html?redirect=%2Fen%2FM-10.01%2F250448.html](http://laws.justice.gc.ca/en/notice/index.html?redirect=%2Fen%2FM-10.01%2F250448.html)

[National Safety Mark, NSM = http://www.tc.gc.ca/acts-regulations/GENERAL/M/mvsa/regulations/mvsrg/001/mvsr3-5.html](http://www.tc.gc.ca/acts-regulations/GENERAL/M/mvsa/regulations/mvsrg/001/mvsr3-5.html)

[Manitoba/Winnipeg Safety and Health Act = http://web2.gov.mb.ca/laws/statutes/ccsm/w210e.php](http://web2.gov.mb.ca/laws/statutes/ccsm/w210e.php) and <http://www.gov.mb.ca/labour/safety/>

[Canadian Standards Association, CSA = http://www.csa.ca/about/Default.asp?language=english](http://www.csa.ca/about/Default.asp?language=english)

[Under Writers of Canada, U/L = http://www.ulc.ca/](http://www.ulc.ca/)

[Society of Automotive Engineers, SAE = http://en.wikipedia.org/wiki/Society_of_Automotive_Engineers](http://en.wikipedia.org/wiki/Society_of_Automotive_Engineers)

3.0 QUALIFICATIONS OF MANUFACTURER & CONTRACTOR-

- 3.1 The manufacturer of the street sweepers shall have five (5) years continuous experience manufacturing street sweeping equipment of the types being offered.

Note: Upon request of the Contract Administrator, Bidders shall supply (within three (3) business days) a detailed description of the manufacturer's experience and qualifications.

- 3.2 The manufacturer shall have in effect a documented quality control program ensuring that the quality of materials and workmanship, including welding, conforms to the best standards and engineering practice of the industry.

- 3.3 The Contractor shall have five (5) years continuous experience servicing, selling/distributing, repairing and maintaining street sweeping equipment of the types and brand being offered.

Note: Upon request of the Contract Administrator, Bidders shall supply (within three (3) business days) a detailed description of the Contractors experience and qualifications.

4.0 INSTRUCTIONS FOR COMPLETION OF SPECIFICATIONS-

- 4.1 All items in these specifications must be answered indicating compliance or non-compliance. Bidders shall state "yes" for compliance or state deviation, or state the information requested. All deviation shall be clearly stated and fully detailed. Alternatives shall be considered in accordance with the Bidding Instructions.

- 4.2 Bidders shall fill in every blank. Failure to do so may be used as a basis for rejection of Bid.

5.0 TERMS-

- 5.1 The estimated utilization of the street sweepers is 250 hours per month. If the vehicle is returned by the City with an excess of 250 hours per month over the entire period the unit is rented, the Contractor may charge an hourly rate for the machine over and above the rental rate, as indicated on Form B: Prices

The Bidder shall state an hourly rate \$ _____

- 5.2 Bidders shall state the rental costs for a 7 month rental commencing April 1, 2016 to October 31, 2016, as indicated on Form B: PRICES. The monthly rates shall include the cost of a full maintenance and service contract. The Contractor shall be responsible for maintenance of the complete machines including replacement of any components that fail during normal operation of the machines.

- 5.3 For equipment rental under this Contract, the Contractor shall repair or rectify any defects in workmanship, construction and materials, and shall repair or replace without additional cost to the City, any component that has become defective and not proven to have been caused by negligence on the part of the user throughout the entire duration of the rental Contract.

- 5.4 The street sweepers are of vital importance to the City in providing essential services and, accordingly, all repair items brought to the attention of the Contractor by the City shall be rectified within 3-Calendar Days (see Section 5.14). The City reserves the right to affect repairs to the equipment, at full cost to the Contractor, should the Contractor fail to perform in a timely manner.

- 5.5 Should the Contractor dispute the City's decision on repair work required (as stated in Section 5.6) the Contractor shall contact the Contract Administrator. Details of the unit's defects or damage shall be provided to the Contract Administrator, who shall investigate the Contractor's claims. The unit shall remain as is until the claim has been resolved. The Contract Administrator shall have the final decision in disputes regarding repair work. The Contractor shall have no

claim against the City for any costs to rectify defects or damage where defects or damage was rectified without the consent of the Contract Administrator.

5.6 The City shall be responsible for the following items for equipment rental under this Contract:

- Licensing and insurance coverage for the equipment;
- Repair of damage to the equipment where damage has proven to have been caused by negligence on the part of the City;
- Repair or replacement of damaged tires due to road hazards;
- Normal operating and maintenance supplies including daily and weekly maintenance such as greasing and cleaning.
- Consumables including fuel, brooms, broom adjustments, dirt shoes and dirt curtains.

5.7 The Contractor shall be responsible for the following items for equipment rental under this Contract:

- All scheduled maintenance including (but not limited to) oil and filter changes, and regular service adjustments as recommended by the equipment and chassis manufacturers;
- All repairs due to mechanical failure or malfunction;
- Towing costs (if unit is immobile);
- All conveyor/elevator system repair and replacement parts;
- All parts and labour costs (excluding items listed in Section 5.8);
- Tires due to normal wear;

5.8 Throughout the duration of the Contract, the street sweepers shall be no more than three (3) model years old and shall have less than 6000 operating hours on the entire machine. All machines rental under this contract shall be in excellent operating condition. The Fleet Management Agency will evaluate the condition of used machines bid as required.

5.10 The Contractor shall authorize the City of Winnipeg Repair Facilities to perform minor repairs and breakdowns during evenings, nights and weekends as required. The extent of the repairs shall be limited to a maximum of 4-hours per unit per breakdown. For all other repairs, or repairs requiring more than 4-hours labour, the City shall contact the Contractor the following business day. Any work performed by the City shall be charged to the Contractor at the Repair Facility's shop rate in effect at the time the work is performed (for example, shop rate for 2015: \$88.00/hour, overtime \$112.00/hour).

5.11 Downtime shall not exceed forty-eight (48) hours. Downtime shall include the time that the equipment is required by the Contractor for regular scheduled servicing or for maintenance of the machines required to correct failures not proven to have been caused by negligence of the user. The machines will be available to the Contractor for regular scheduled servicing or for maintenance during the hours of 4:00 pm – 9:00 pm Monday-Friday (most days) between April 1 and October 31 or as mutually agreed upon by the City and the Contractor.

5.12 On days, or during times that the equipment is not in use by the City, the City shall make the street sweepers available to the Contractor to perform maintenance and repairs. These days or times shall not be considered downtime.

- 5.13 All regular scheduled maintenance (such as oil changes, filters, etc.) shall be performed by the Contractor either at 1220 Pacific Avenue or at the Contractor's facility. If regular scheduled maintenance is to be performed at the Contractor's facility, the Contractor shall be responsible for pick-up and delivery of the equipment. These days or times shall be pre-arranged between the Contractor and the City.
- 5.14 If a machine is unavailable for use due to warranty, repair or maintenance for more than three (3) Calendar Days, the Contractor shall provide (upon request of the Contract Administrator) a replacement unit at no additional cost to the City.

6.0 SPECIFICATIONS – 3 WHEELED SWEEPERS-

- 6.1 Configuration – three wheel, dual side broom, rear steer **(no substitutes)** _____
- 6.2 Operating weight – Approx. 14,000-14,500 lbs. with dual side brooms
,state- _____
- 6.3 Wheelbase – 125 -128 in., **state-** _____
- 6.4 Width – 102 in. _____
- 6.5 Sweeping swath – 120 in. _____
- 6.6 Suspension – the sweeper shall be equipped with fully sprung guide wheels _____
- 6.7 Engine- Type – B20 biodiesel compatible, Tier IV diesel fuelled, liquid cooled, 4-cylinder, 95-100 hp capable of powering all sweeper functions. _____
- 6.8 Engine coolant – Extended life rated to -35° C. _____
- 6.9 Engine shutdown – low oil pressure and high water temperature shut-down system. _____
- 6.10 Battery –925 CCA _____
- 6.11 Block heater –1000 watt with covered, recessed male plug. _____
- 6.12 Air cleaner – two stage dry type with restriction indicator light mounted in dash of vehicle. _____
- 6.13 Transmission Type – hydrostatic capable of variable speeds up to approx. 30-35 km/hr, **state-** _____
- 6.14 Road speed control – single foot pedal. _____
- 6.15 Direction control – Foot forward and reverse _____
- 6.16 Brakes- Service brakes – Calliper disc type _____
- 6.17 Parking brake – required. _____
- 6.18 Steer wheels & tires – steel disk wheels, 10R17.5 radial tires 16-ply. Two spare tires and rims for all types of tires _____
- 6.19 Drive wheels & tires – steel disk wheels, 11R22.5 radial tires, 14-ply Two spare tires and rims for all types of tires _____

- 6.20 Fuel tank- Capacity – Approx.130 L _____
- 6.21 Fuel and water separator – required. _____
- 6.22 Cab Type – fully enclosed pressurized cab, dust and weather sealed, steel or galvanized steel construction _____
- 6.23 Visibility - Cab visibility shall be 360 degrees without mirrors or rear view camera system _____
- 6.24 Climate controls – heater, defroster and air conditioner required. _____
- 6.25 Insulation – cab interior shall be sound suppressed and insulated, in-cab noise level not to exceed 85 dB(A) at any time, measured in accordance with SAE J336. _____
- 6.26 Seats – dual bucket seats, cloth “Cordura” fabric with arm rests, with seat belts. _____
- 6.27 Dual steering wheel(s) – dual steering with dual controls or centre mount steer, tilt type steering wheel(s). _____
- 6.28 Starter switch – key operated with three (3) sets of keys. _____
- 6.29 Mirrors/doors – dual, power exterior c/w min. 8 in. convex mirrors each Side mounted forward of the cab enclosure. Door – door one piece glass. Door latch pin extendable for fresh air entry _____
- 6.30 Windshield wiper(s) – electric, 2-speed, intermittent with washer. _____
- 6.31 Sun visor(s) – required. _____
- 6.32 Radio – AM/FM/CD with blue tooth hands free capability _____
- 6.33 Dome light –Required _____
- 6.34 Grab handle(s) – required, located for ergonomic entry and egress. and removable cab entrance steps _____
- 6.35 Instruments - Instrument panel shall be full vision illuminated with tachometer, hour meter, speedometer, odometer, fuel gauge, hydrostatic oil temp gauge, engine coolant temp gauge, engine oil pressure gauge, voltage gauge, hydraulic filter, filter restriction indicator, and engine air filter restriction indicator. _____
- 6.36 Capacity – 3.5 cubic yards useable _____
- 6.37 Hopper- Front Dump Hooper _____
- 6.38 Dump height – variable height, ground level up to 110-115 in., **state-** _____
- 6.39 Lifting capacity – 9000 lbs. _____
- 6.40 Hopper dump control – Joystick type _____
- 6.41 Water system- Water pump – shall be capable of running dry continuously. _____
- 6.42 Tank capacity – Approx. 800-850 L, **state-** _____

- 6.43 Tank material – corrosion proof, polyethylene or stainless steel state material. _____
- 6.44 Low water indicator – required, dash mounted. _____
- 6.45 In-line water filter – required, readily accessible. _____
- 6.46 Water delivery valves – adjustable, operator controlled. _____
- 6.47 Hydrant hose – 25 ft. length, equipped with 2½ in. NST hydrant coupler. Equipped with a siphon breaker. _____
- 6.48 Storage compartment – required for proper storage of hose. _____
- 6.49 Sweeper shall be equipped with an internal conveyor flush and wash down system. _____
- 6.50 Side Brooms Type – hydraulic driven, 36 in. diameter, mounted on right and left sides with replaceable segments. _____
- 6.51 Up/down/tilt for both brooms/rotation function – hydraulic with individual in-cab controls and adjustable down pressure. _____
- 6.52 Main Broom type – hydraulic driven, 35” diameter x 68” long _____
- 6.53 Raise/lower – hydraulic raise lower with in-cab controls and automatic pick up in reverse _____
- 6.54 Conveyor type – hydraulic driven conveyor belt having moulded cleats (no substitutes- Squee-gee type not acceptable) capable of effectively sweeping debris of varying sizes. _____
- 6.55 Speeds – conveyor speed shall be variable with engine RPM and reversible _____
- 6.56 Conveyor system shall be capable of evenly loading hopper to full capacity without back spilling. _____
- 6.57 Hydraulic System- Oil reservoir – approx. 100-110 L capacity, baffled with sight gauge, **state-** _____
- 6.58 Suction and Return lines– 10 micron filters with restriction indicator in the cab. _____
- 6.59 High hydraulic oil temperature indicator in cab is required with hydraulic Oil temperature shut down _____
- 6.60 Electrical system – 12 volt negative ground electrical system including combination stop and taillights, sealed multiple beam headlights, high beam/low beam switch, adjustable side broom spotlights, illuminated gauges and instrument panel, internally illuminated rocker switches, self-cancelling directional signals, and hazard switch. _____
- 6.61 Electric starter – required. _____
- 6.62 Alternator – 120 amp _____
- 6.63 Windshield wipers – electric, 2-speed, intermittent with washer. _____

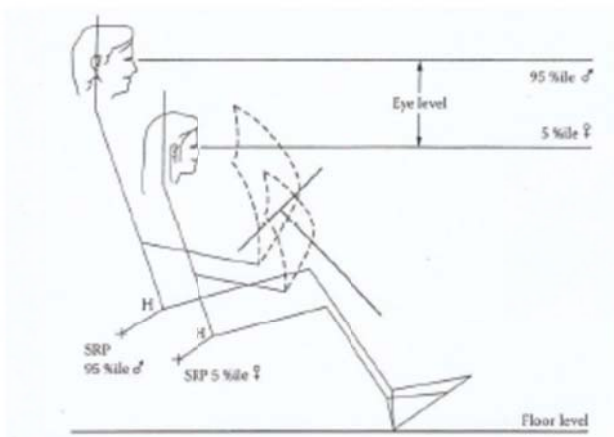
- 6.64 Exterior colour – white. _____
- 6.65 Operating weight, empty – **state-** _____
- 6.66 Wheelbase – 127 in. approx., **state-** _____
- 6.67 Machine width – 102 in. max., **state-** _____
- 6.68 Sweeping swath – 120 in. approx., **state-** _____
- 6.69 **Electrical systems** - 12-volt negative ground electrical system including combination stop and taillights, sealed multiple beam headlights, high beam/low beam switch, adjustable side broom spotlights, illuminated gauges and instrument panel, internally illuminated rocker switches, self-cancelling directional signals, and hazard switch. _____
- 6.70 **Lighting-** All body lighting shall be LED unless otherwise noted. _____
- 6.71 **Safety Standards-** All Street Sweepers lighting shall conform to CMVSS (latest revision) and the Manitoba Highway Traffic Act and the City of Winnipeg Lighting Visibility Standard.
<http://winnipeg.ca/matmgt/pdfs/PublicWorksEquipLightingVisibility.pdf>. _____
- 6.72 **Beacons-** All street sweepers shall have Make and Model: Whelen L32 LAF Series Super-LED, SAE Class 1 (or equivalent) Amber, Low Dome Beacon, permanent mount on top of the sweepers, wired through ignition. _____
- 6.73 **Work Lights-** All Street Sweepers work lights for night-time operation shall have two roof-mounted, forward-facing LED work lights to shine down into the hopper. Two rear-mounted LED work lights. LED spot lights low mounted forward facing towards each side broom with interior mounted cab switches. _____
- 6.74 **Rear Camera** - Rear vision camera system with dash-mounted colour LCD monitor to turn on when the foot pedal is put into reverse. System to also have a continuous on switch. _____
- 6.75 **Back-up alarm** - Factory installed alarm, 97 dB(A) rating, Installed to be protected from damage. _____
- 6.76 **Slow Moving Vehicle Sign** - Required on all street sweepers. Shall be a make model # Grote 71152 or equivalent, rear mounted in a visible location. _____
- 6.77 **Fire Extinguisher** - ABC type 2.5 pounds, **state location-** _____
- 6.78 **Flare kit** - Three (3) triangular reflectors, CVSA approved. _____
- 6.79 **Interior noise level** - Maximum 83 dB(A), measured in accordance with SAE J336. _____
- 6.80 **Fuel-** All Street sweepers must be fully fuelled upon delivery (**no exceptions**) _____
- 7.0 MANUALS AND LITERATURE-**
- 7.1 The Contractor shall provide three (3) sets of operational manuals and three

(3) sets of maintenance manuals (CDs are preferred). _____

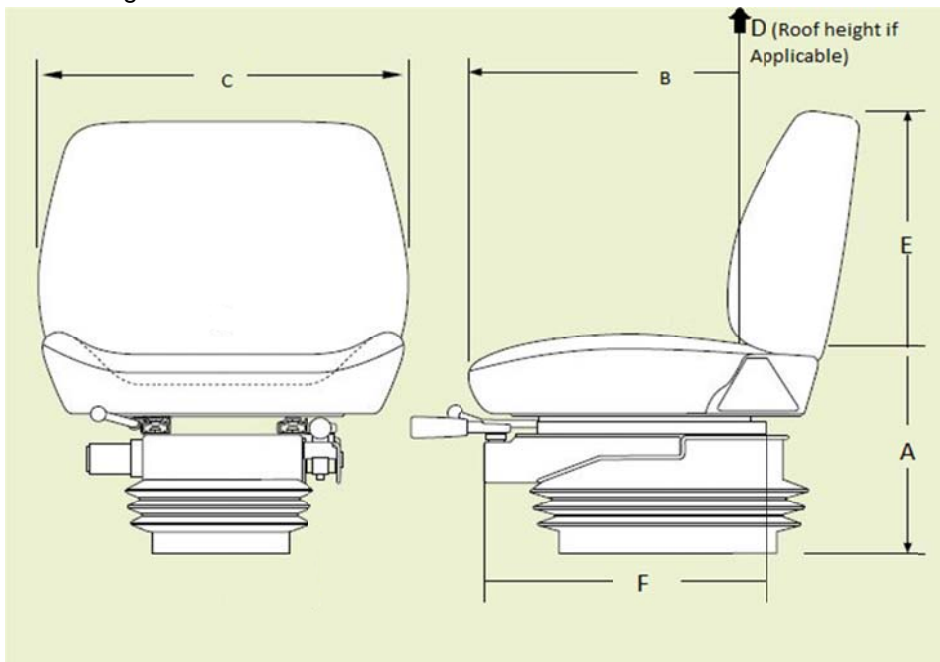
7.2 Bidders shall supply detailed drawing(s) or literature of the Street Sweepers within three (3) days upon request of the Contract Administrator. _____

OPERATOR STATION
ERGONOMICS FOR (3)
WHEELED STREET
SWEEPERS

8.0 Cab or station layout should provide a comfortable seating position for the 5th to the 95th percentile of personnel. Figure 1 below illustrates the variance between a 5th to a 95th percentile of North American males and females when seated.



8.1 Figure 2: Use the below diagram to answer the specifications for Operator Station Ergonomics.



8.2 Sitting height range from floor (where feet rest) (A) **State, seat height range in inches** _____

- | | | | |
|-----|--|--|-------------------------|
| 8.3 | Seat length/depth (B) | State , seat length/depth in inches | _____ |
| 8.4 | Seat width (C) | State , seat width in inches | _____ |
| 8.5 | Cab height from seat to roof (if applicable) (D) | State , cab height range in inches | _____ |
| 8.6 | Back rest height (E) | State , back rest height in inches | _____ |
| 8.7 | Seat travel range (F) | State , seat travel in inches | _____ |
| 8.8 | Include any other relevant ergonomic specifications and applicable range of adjustment | | _____ _____ _____ |