

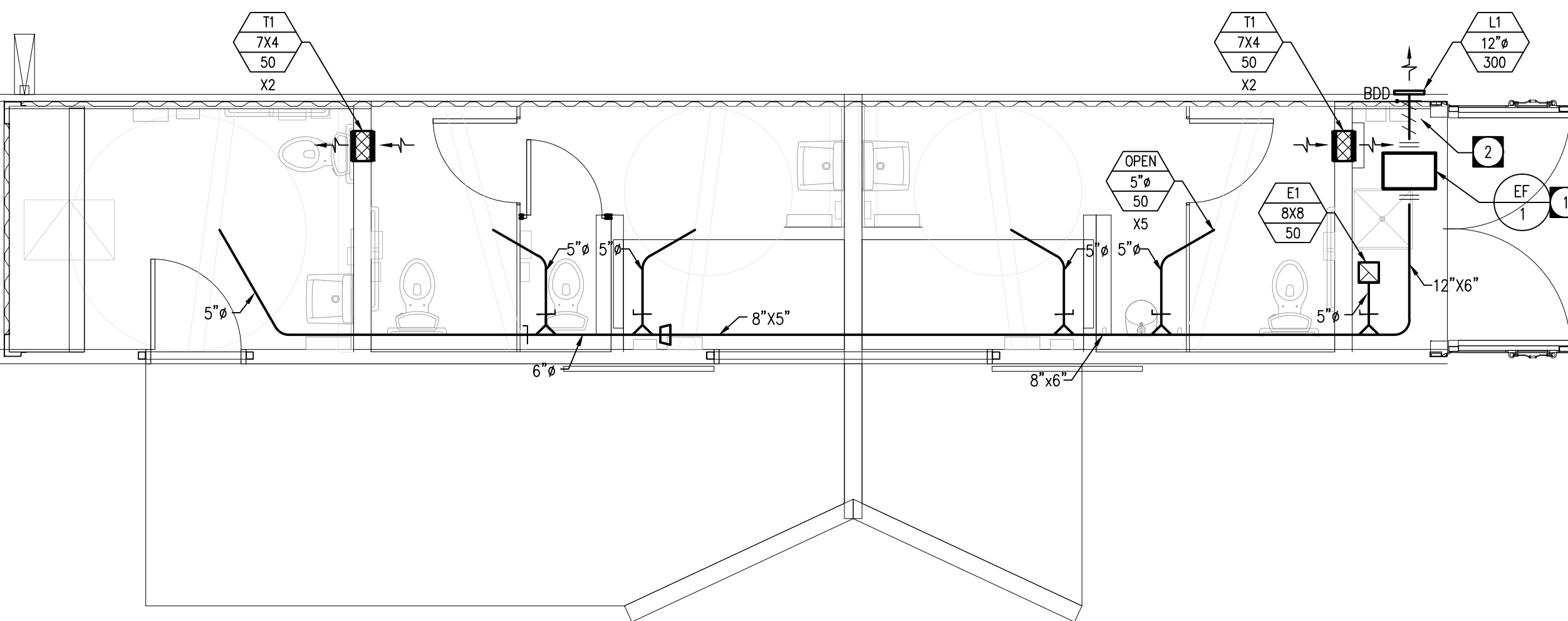
**MAIN FLOOR PLAN - PLUMBING**  
SCALE: 1/4"=1'-0"

**DRAWING NOTES - PLUMBING**

- 1 SUSPEND HOT WATER TANK AT HIGH LEVEL ABOVE MOP SINK & EXTEND T&P RELIEF TO MOP SINK. SUSPEND AS PER MANUFACTURER'S INSTALLATION INSTRUCTIONS.
- 2 PROVIDE ACCESSIBLE ISOLATION VALVE BELOW FROST LINE FOR AUTUMN SHUT-OFF OF NEW 1" DOMESTIC WATER SERVICE TO WASHROOM BUILDING.
- 3 PROVIDE HOSE BIBB OR QUICK CONNECT TO PERMIT BLOW OUT OF WATER LINE IN AUTUMN. CONNECT BLOW OUT PIPE IMMEDIATELY DOWNSTREAM OF ISOLATION VALVE ON INCOMING WATER SERVICE. ALL TRAPS TO BE FILLED WITH ANTI-FREEZE DURING WINTERIZATION.
- 4 OFFSET VENT PIPE TO PENETRATE ROOF FROM CENTER OF BUILDING.
- 5 RELOCATE EXISTING WATER METER FROM VAULT TO NEW UTILITY ROOM. NEW 1" DOMESTIC WATER SERVICE TO RISE WITHIN FROST BOX INTO UTILITY ROOM. REFER TO ARCHITECTURAL DRAWINGS FOR LOCATION OF EXISTING WATER METER PIT.
- 6 CONNECT NEW 4" SANITARY SEWER TO EXISTING SEWER IN EXISTING PIT. REFER TO ARCHITECTURAL DRAWINGS FOR LOCATION OF EXISTING PIT.
- 7 GENERAL CONTRACTOR TO COORDINATE RELOCATION OF EXISTING OWNER-SUPPLIED IRRIGATION EQUIPMENT CONTROLS FROM EXISTING WASHROOM BUILDING TO UTILITY ROOM IN NEW WASHROOM BUILDING. REFER TO ARCHITECTURAL DRAWINGS FOR DETAILS.

**LEGEND - PLUMBING**

	EXISTING SANITARY LINE BELOW GRADE
	DOMESTIC COLD WATER
	DOMESTIC HOT WATER
	CLEANOUT
	SHUT-OFF VALVE
	EQUIPMENT TAG
	DRAWING NOTE TAG



**MAIN FLOOR PLAN - H.V.A.C.**  
SCALE: 1/4"=1'-0"

**DRAWING NOTES - H.V.A.C.**

- 1 SUSPEND EXHAUST FAN FROM STRUCTURE C/W ISOLATION AND FLEX CONNECTIONS.
- 2 PROVIDE THERMAL INSULATION ALONG DUCT LENGTH AND PROVIDE BACK DRAFT DAMPER AT WALL LINE.

**LEGEND - H.V.A.C.**

	EXHAUST AIR GRILLE
	BALANCING DAMPER
	GRILLE / DIFFUSER TAG
	EQUIPMENT TAG
	DRAWING NOTE TAG

**GENERAL NOTES:**

1. MECHANICAL SUBCONTRACTOR SHALL VERIFY EXACT LOCATIONS, SIZES, INVERTS, ETC. PRIOR TO COMMENCEMENT OF WORK. VERIFY ALL CONNECTION POINTS ON SITE.
2. MECHANICAL SUBCONTRACTOR SHALL ALLOW IN HIS TENDER QUOTATION FOR ALL REQUIRED MODIFICATIONS TO EXISTING SYSTEMS (I.E.) RE-ROUTING OF EXISTING PIPING AS DEEMED NECESSARY DUE TO RENOVATION WORK.
3. REFER TO ARCHITECTURAL, ELECTRICAL & STRUCTURAL DRAWINGS FOR COORDINATION PURPOSES.
4. MANUFACTURED SHOCK ABSORBERS & PARTITION STOPS TO BE INSTALLED ON ALL FIXTURES OR BATTERY OF FIXTURES.
5. ALL CUTTING & PATCHING OF FLOOR SLABS, WALLS ETC. TO BE PERFORMED BY GENERAL CONTRACTOR.
6. ALL VENT PIPING TO BE INSTALLED AS PER CODE.
7. ALL DOMESTIC WATER LINES TO BE INSULATED.
8. COORDINATE THE EXACT LOCATION OF THE GRILLES AND DIFFUSERS ON SITE WITH THE ELECTRICAL SUBCONTRACTOR, GENERAL CONTRACTOR, ARCHITECTURAL CEILING PLAN, LIGHTING LAYOUT, ETC. TO ENSURE THAT THERE ARE NOT ANY CONFLICTS DURING INSTALLATION.
9. PROVIDE BALANCE DAMPER FOR EACH SUPPLY/EXHAUST AIR GRILLE OR DIFFUSER TO ALLOW FOR THE PROPER BALANCING OF THE SYSTEM. PROVIDE OPPOSED BLADE DAMPERS WITH THE DIFFUSER AND ADJUSTABLE FROM THE DIFFUSER FACE WHEN A DUCT MOUNTED BALANCE DAMPER WOULD NOT BE ACCESSIBLE.
10. ALL DUCT DIMENSIONS DENOTE INTERNAL "OPEN" AREA OF THE DUCT.
11. ALL DUCTWORK PENETRATING THE BUILDING THERMAL ENVELOPE SHALL BE INSULATED A MINIMUM 10'-0" BACK FROM THE BUILDING PENETRATION.
12. REFER TO ARCHITECTURAL DRAWINGS AND PROVIDE FIRE DAMPERS IN ALL WALLS DENOTED AS FIRE SEPARATIONS.
13. COORDINATE THE EXACT LOCATIONS OF EQUIPMENT, DUCT OPENINGS, AND DUCT LOCATIONS WITH THE EXISTING STRUCTURE AND THE CONTRACT ADMINISTRATOR.
14. ALL WORK SHALL COMPLY IN EVERY RESPECT WITH ALL NATIONAL, PROVINCIAL AND LOCAL CODES AND BY-LAWS, WHICH SHALL BE CONSIDERED PART OF THE SPECIFICATION. IN THE CASE OF CONFLICTING REQUIREMENTS, BE GOVERNED BY THE MOST STRINGENT REQUIREMENTS.
15. THE MECHANICAL SUBCONTRACTOR SHALL INSTALL PLUMBING, HEATING, AND VENTILATION, SYSTEMS IN COMPLETE ACCORDANCE WITH THE RECOMMENDATIONS OF THE NATIONAL/PROVINCIAL BUILDING CODE, ASHRAE, SMACNA LATEST EDITION DUCT STANDARDS, LOCAL PLUMBING CODES, AND DEPT. OF LABOUR REQUIREMENTS.
16. ALL INSULATING MATERIALS, METHODS, SIZES AND TYPES OF INSULATION FOR ALL PIPING AND DUCT WORK SHALL BE INSTALLED TO THE REQUIREMENTS OF THE ASHRAE STANDARDS 90.1 "ENERGY STANDARD FOR BUILDING EXCEPT LOW-RISE RESIDENTIAL BUILDING", AND THERMAL INSULATION ASSOCIATION OF CANADA (TIAC) STANDARDS.
18. LOCATE PLUMBING VENT THROUGH ROOF NEAR CENTER OF UTILITY CLOSET.

Owner  
The City of Winnipeg  
185 King Street, Main Floor Winnipeg,  
MB R3B1J1

No. Date Revision Notes  
1 2015.09.15 Issued for Construction



**NOVA 3 ENGINEERING LTD.**  
CONSULTING ENGINEERS  
201-120 FORT STREET TEL: (204) 943-6142  
WINNIPEG, MANITOBA R3C 1C7 FAX: (204) 942-1276  
WWW.NOVA3.CA A.L. 35055

THIS DRAWING IS THE EXCLUSIVE PROPERTY OF NOVA 3 ENGINEERING LTD. AND MAY ONLY BE REPRODUCED WITH THE WRITTEN PERMISSION OF NOVA 3 ENGINEERING LTD.  
THE CONCEPT AND DESIGN INCORPORATED INTO THIS DRAWING ARE BASED ON INFORMATION PROVIDED BY THE CLIENT AND OTHER RELATED SOURCES. PROFESSIONAL ENGINEER ACCEPTS NO RESPONSIBILITY FOR DESIGN AND DESIGN UNLESS DRAWING IS ACCOMPANIED BY ORIGINAL SEALED LETTER OF INTENT OR EQUALLY ACCEPTABLE FACSIMILE. PROFESSIONAL ENGINEER ACCEPTS NO RESPONSIBILITY FOR FINAL INSTALLATION CONFORMANCE WITHOUT ORIGINAL SEALED CERTIFICATE OF INSPECTION OR EQUALLY ACCEPTABLE FACSIMILE.

This drawing must not be scaled. The contractor shall verify all dimensions and other data on site prior to commencement of work. Discrepancies, errors, and omissions are to be reported to the Architect prior to proceeding with the Work.

Drawings and specifications as instruments of service are the property of the Architect; the copyright in the same being reserved to him.

No reproduction or revision to these drawings may be made without the permission of the Architect, and when made, must bear his name. All prints to be returned to the Architect upon request.

Project  
St. Vital Park Washrooms

Drawing  
PLUMBING AND HVAC

Drawn By  
BD  
Scale  
As Noted

Reviewed By  
PSG  
Drawing No.  
M-1.1

Date  
2015.09.15

Project No. Revision No.  
1445 0