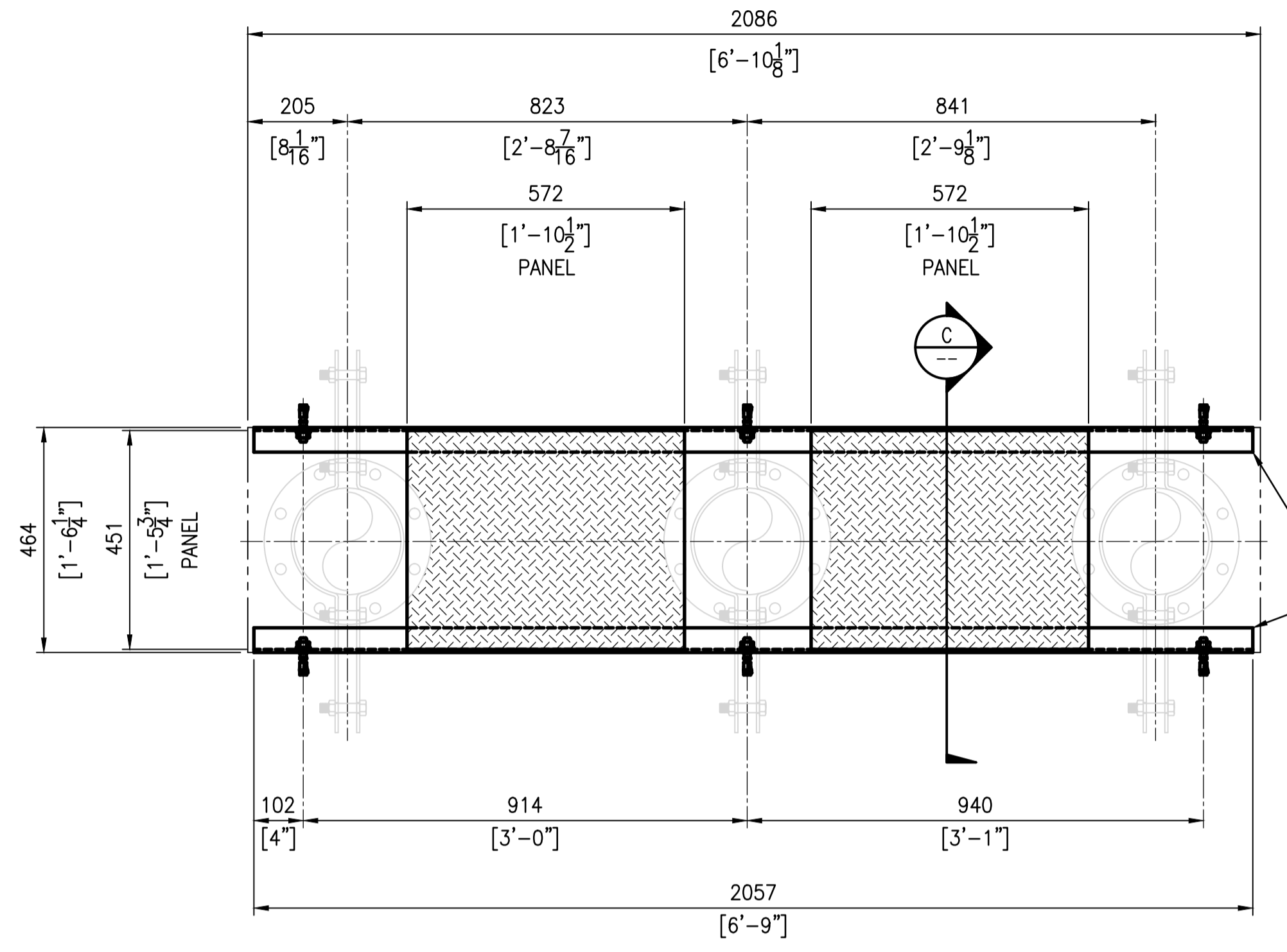
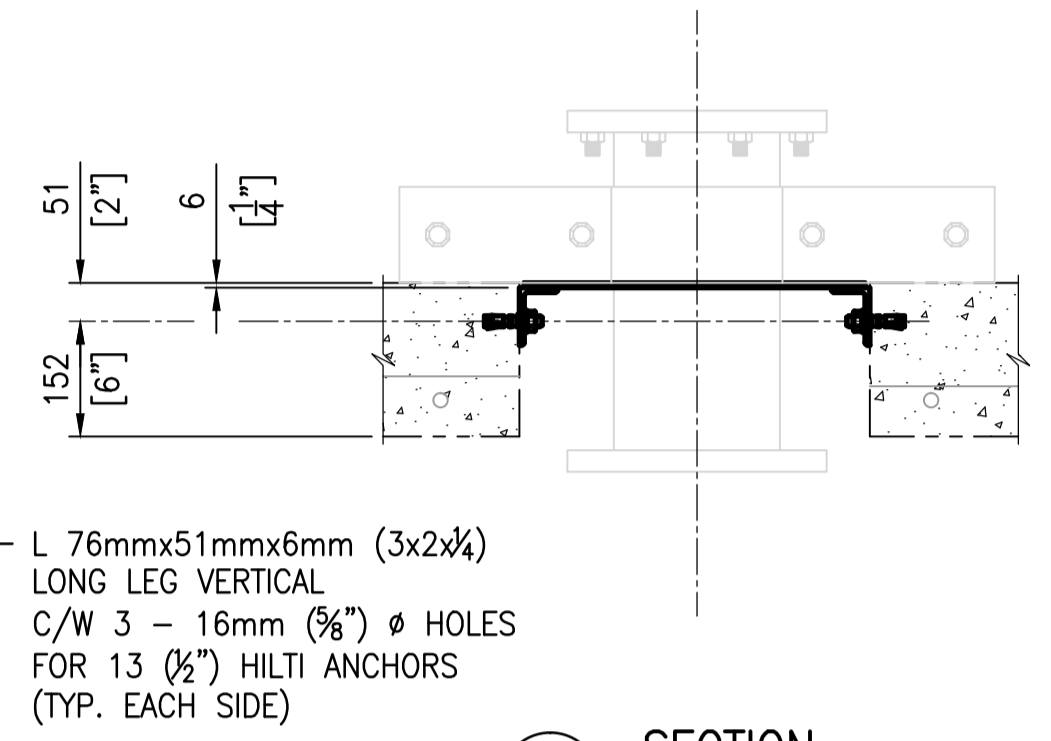


PARTIAL PLAN @ EL. 227.635 (746'-10")
SCALE: 1 : 25

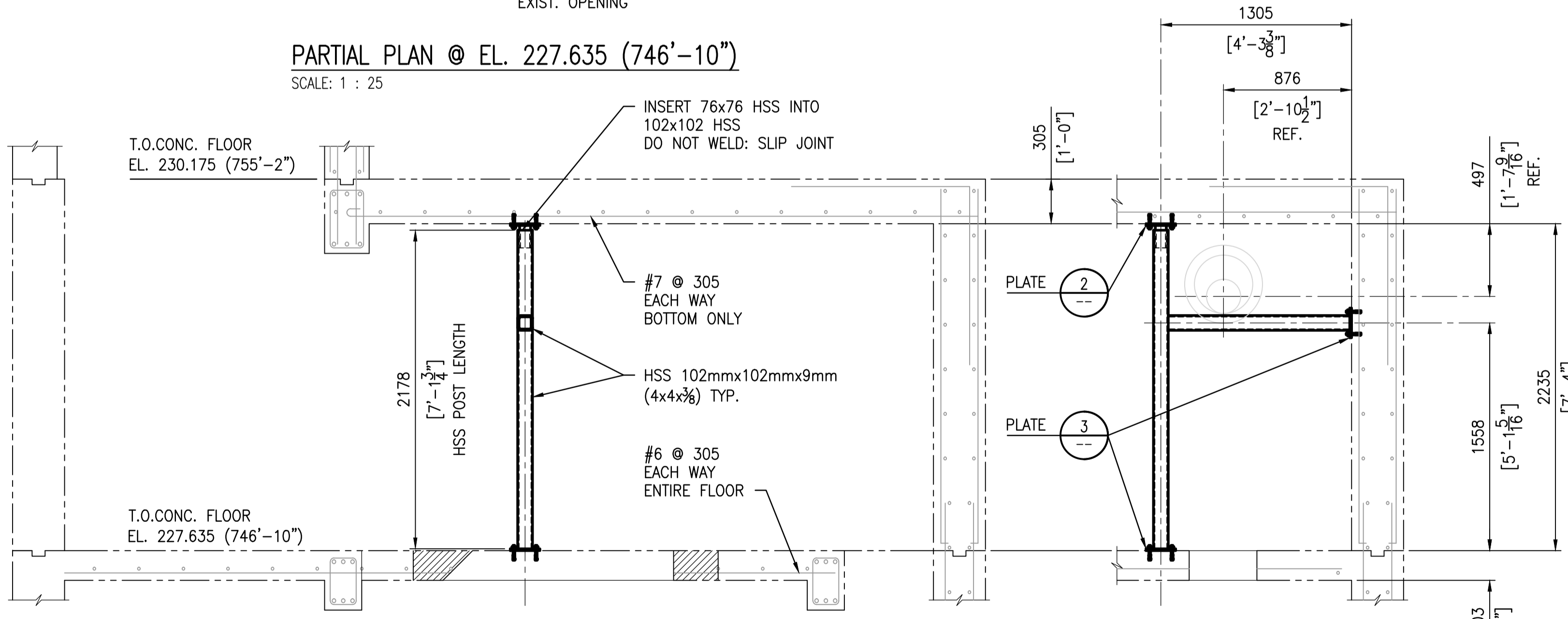
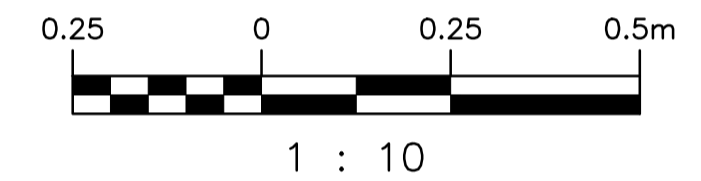


DETAIL - PIPE OPENING COVER
SCALE: 1 : 10
AT T.O.C. FLOOR ELEV. = 227.635 (746'-10")



L 76mmx51mmx6mm (3x2x4)
LONG LEG VERTICAL
C/W 3 - 16mm (5/8") Ø HOLES
FOR 13 (1/2") HILTI ANCHORS
(TYP. EACH SIDE)

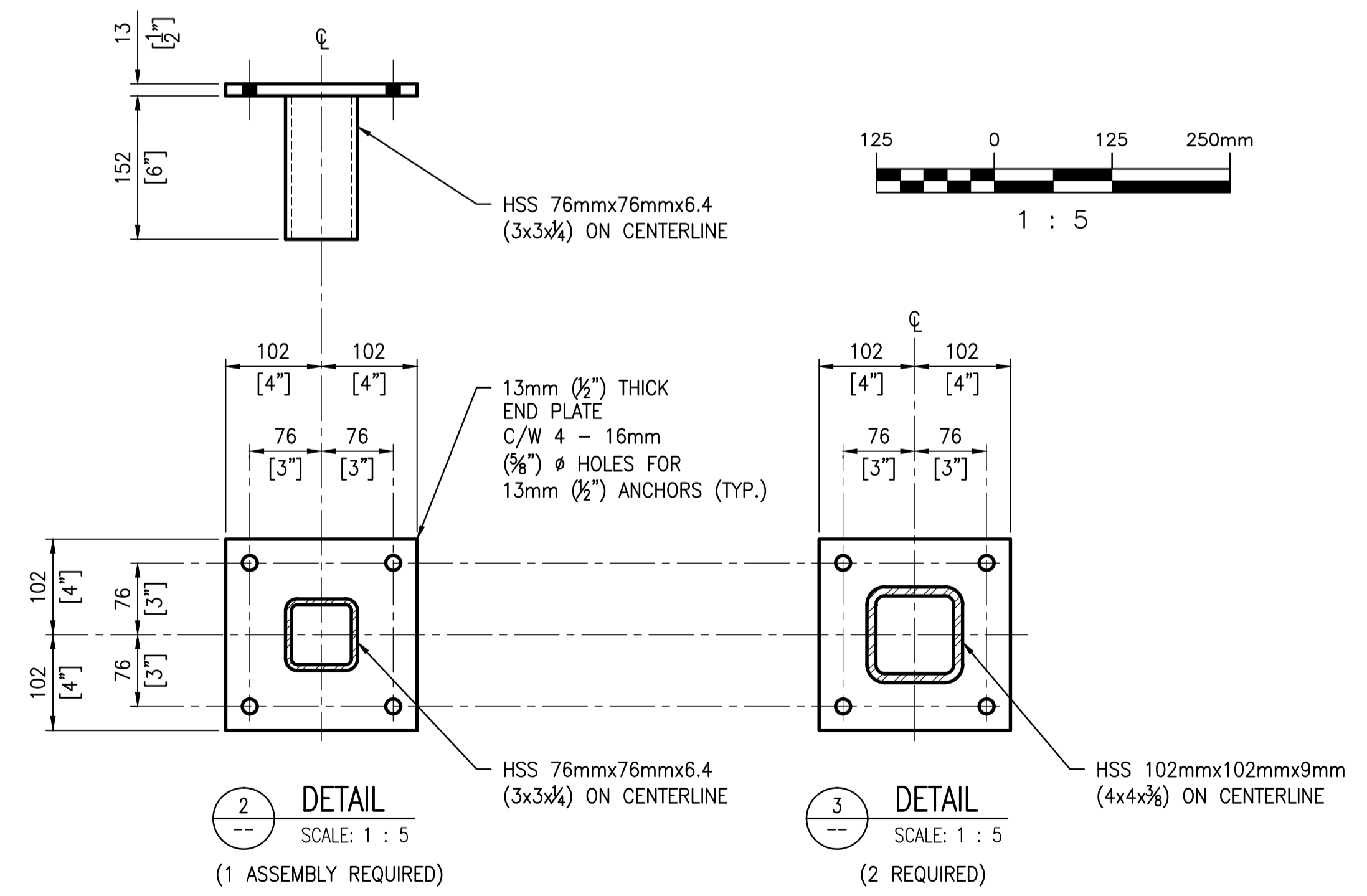
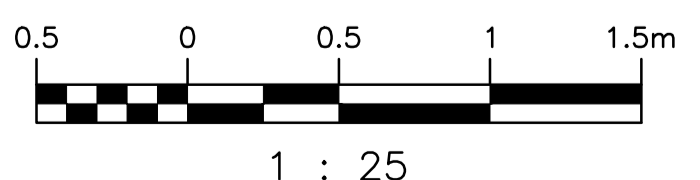
SECTION C
SCALE: 1 : 10



SECTION A
SCALE: 1 : 25

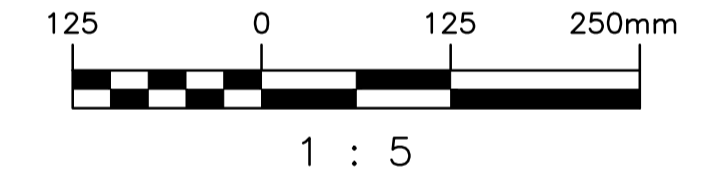
SECTION B
SCALE: 1 : 25

DETAIL - PIPE SUPPORT
SCALE: 1 : 25



DETAIL 2
SCALE: 1 : 5
(1 ASSEMBLY REQUIRED)

DETAIL 3
SCALE: 1 : 5
(2 REQUIRED)



NO.	REVISIONS	DATE	DESIGN	CHECK
00	ISSUED FOR TENDER	2015/09/17	KJK	

 SNC-LAVALIN INC. 148 Nature Park Way Winnipeg, MB, Canada R3P 0X7 204-786-8080	
DESIGNED BY: K. KOTYK	CHECKED BY: D. COATES
DRAWN BY: B. DICKSON	APPROVED BY: I. PARKINSON
SCALE: AS SHOWN	ISSUED FOR CONSTRUCTION BY:
DATE: 2015/09/02	DATE:
CONSULTANT NO.: 629179-0000-42DD-0001	

ENGINEER'S SEAL
PRELIMINARY
NOT TO BE
USED FOR
CONSTRUCTION

THE CITY OF WINNIPEG
WATER AND WASTE DEPARTMENT

OLIVE WASTEWATER LIFT STATION
2015 UPGRADES
PLANS, ELEVATIONS AND DETAILS
PIPE SUPPORT AND OPENING COVER

CITY DRAWING NUMBER 1-0169L-S0007	SHEET 001	REV. 00	SIZE A1
---	---------------------	-------------------	-------------------