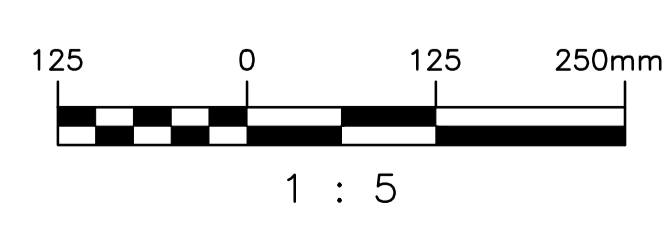
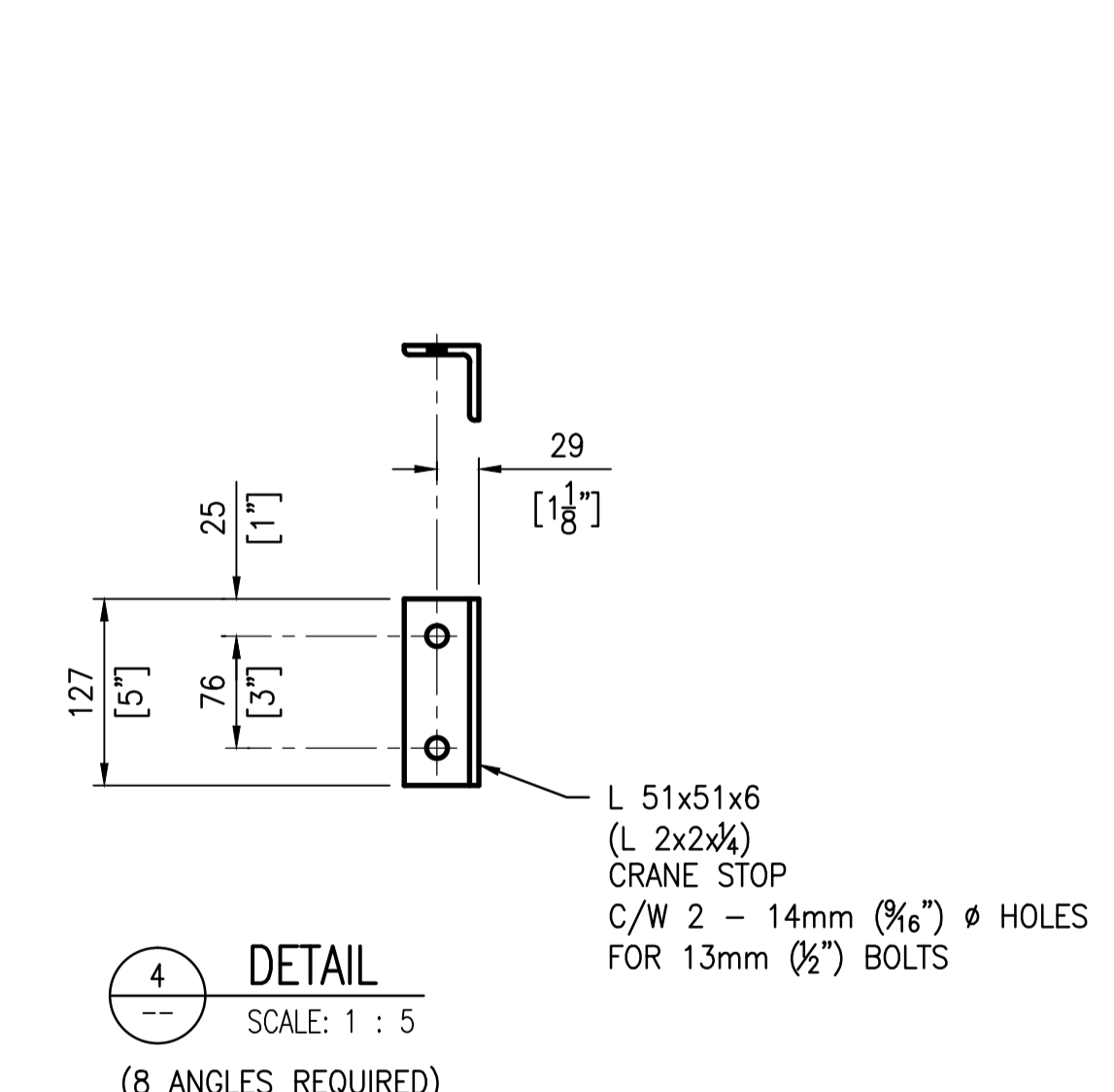
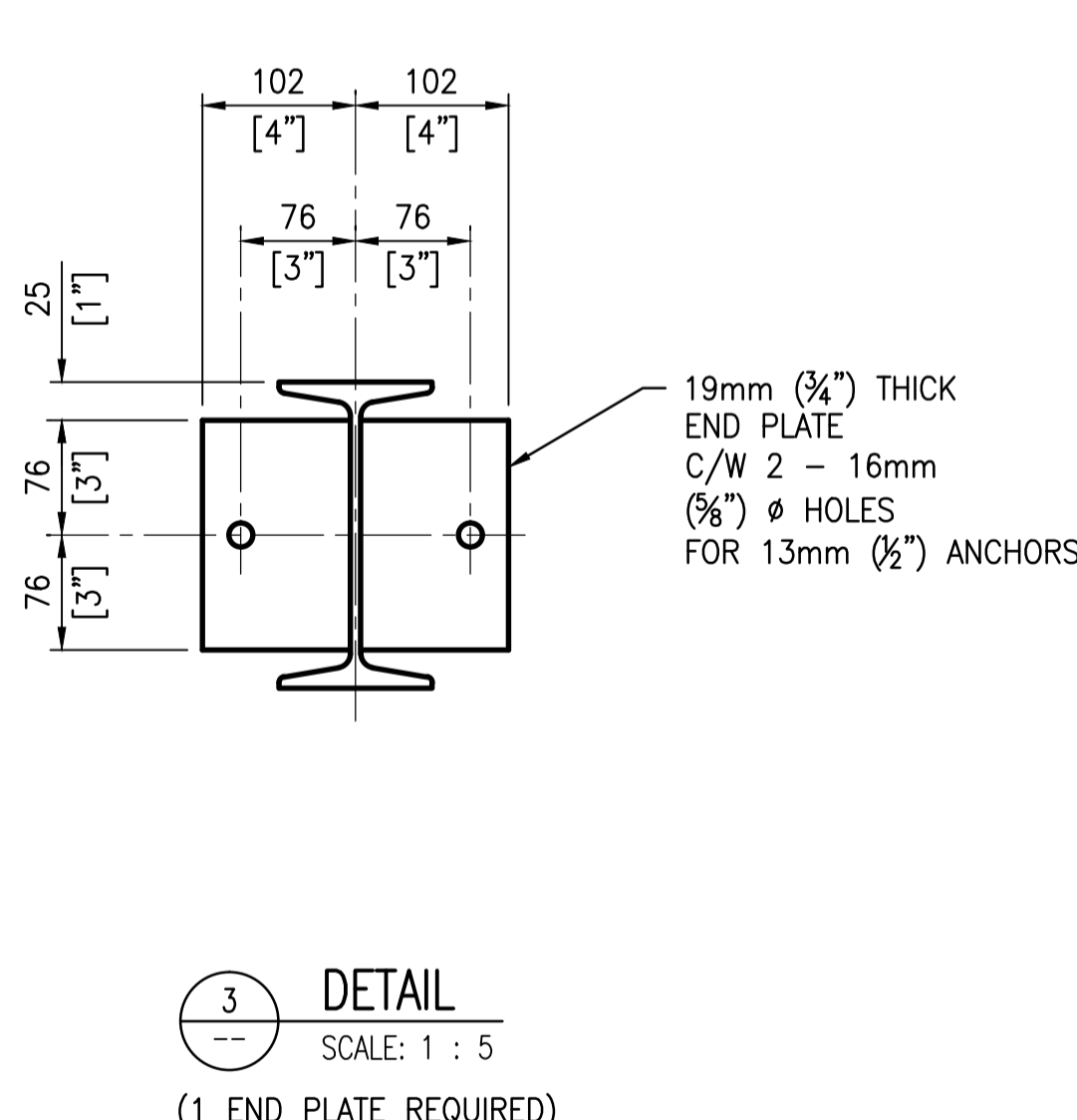
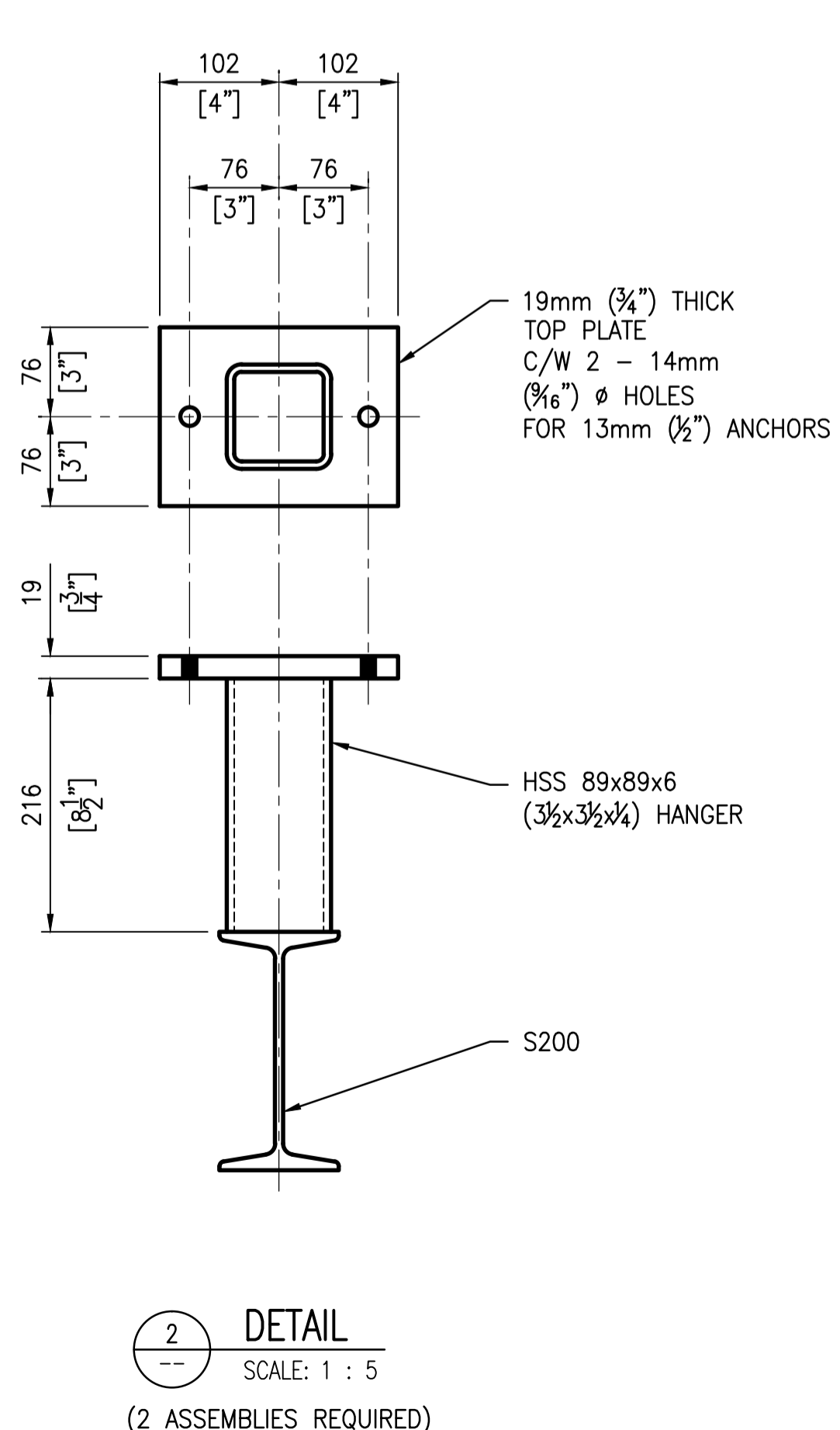
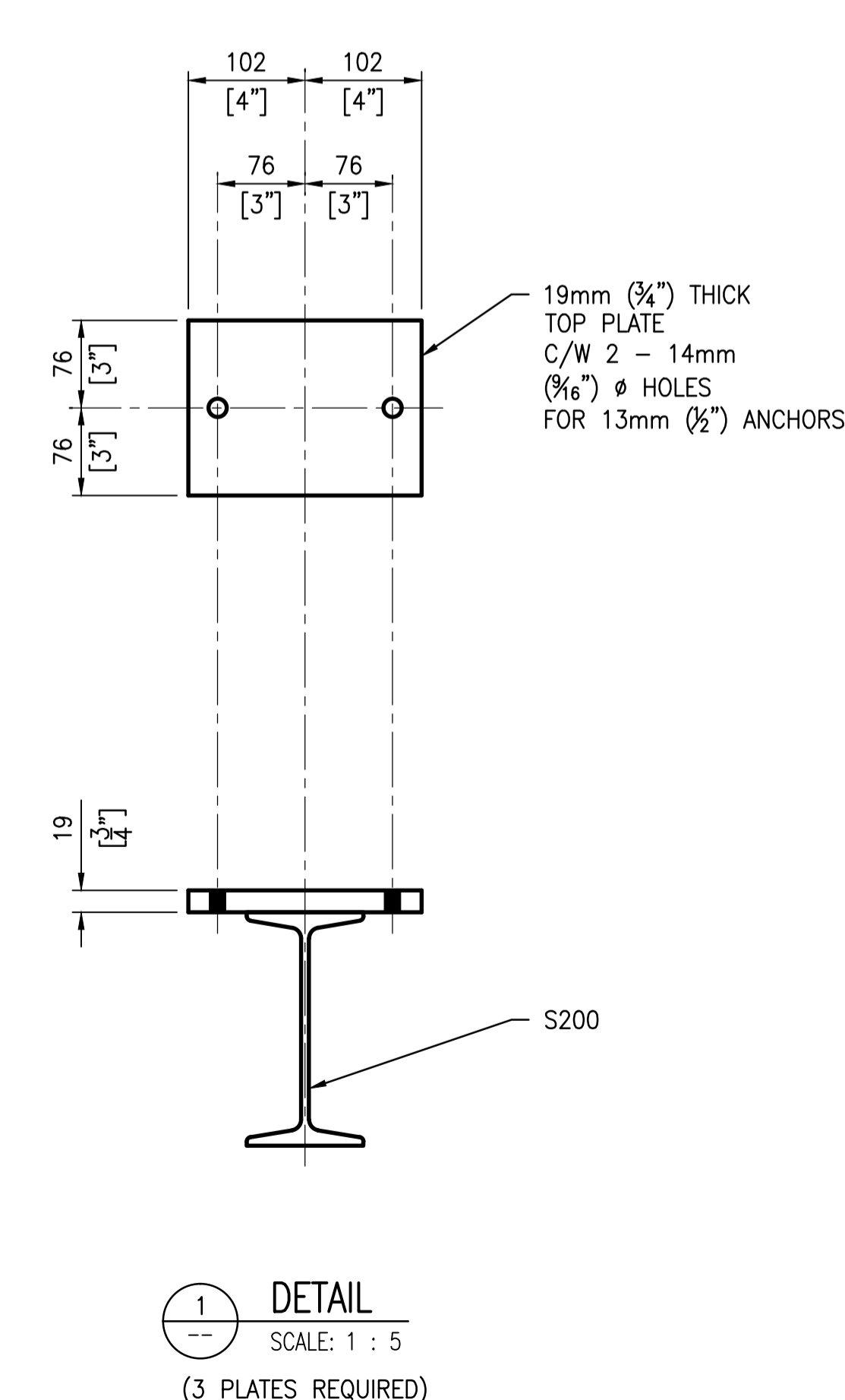


- NOTES:**
- SEE DRAWING 1-0169L-S0004 FOR GENERAL NOTES.
  - SEE DRAWING 1-0169L-S0005 FOR STRUCTURAL NOTES.
  - MONORAILS TO BE PAINTED INTERNATIONAL SAFETY YELLOW.
  - LOAD RATING TO READ AS FOLLOWS:  
'2000 LBS. (907 kg.) CAPACITY'  
LETTERING TO BE BLACK 102mm (4") HIGH ON BOTH SIDES.



DESIGNED BY: K. KOTYK	CHECKED BY: D. COATES
DRAWN BY: B. DICKSON	APPROVED BY: I. PARKINSON
SCALE: AS SHOWN	ISSUED FOR CONSTRUCTION BY:
DATE: 2015/08/31	DATE:
CONSULTANT NO.: 629179-0000-42DD-0001	
00 ISSUED FOR TENDER	2015/09/17
NO. REVISIONS	DATE DESIGN/CHECK

ENGINEER'S SEAL

**PRELIMINARY**  
NOT TO BE  
USED FOR  
CONSTRUCTION

**THE CITY OF WINNIPEG**  
WATER AND WASTE DEPARTMENT

OLIVE WASTEWATER LIFT STATION  
2015 UPGRADES  
ELEVATION AND DETAILS  
MONORAILS

CITY DRAWING NUMBER  
1-0169L-S0006

SHEET  
001

REV.  
00

SIZE  
A1