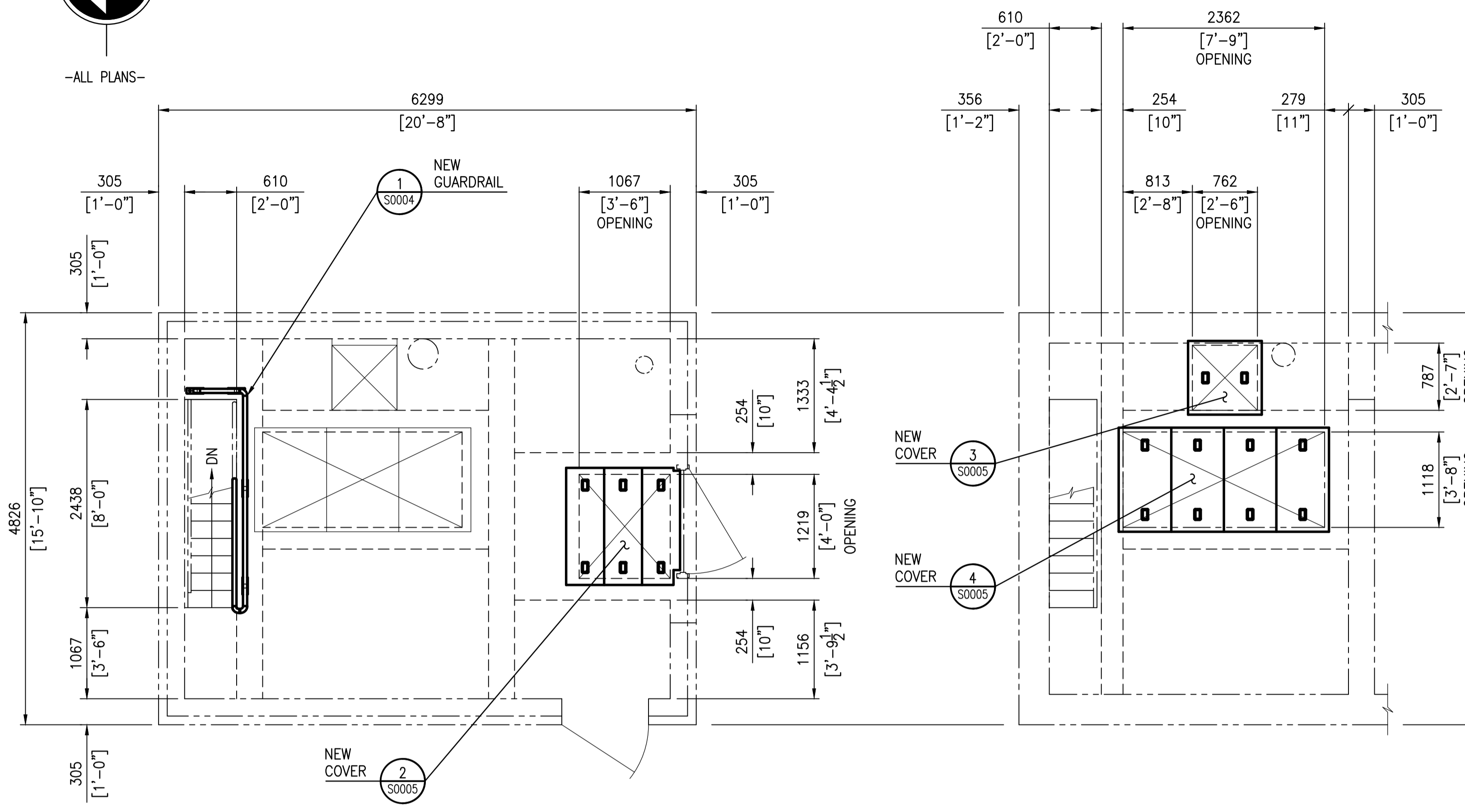


-ALL PLANS-

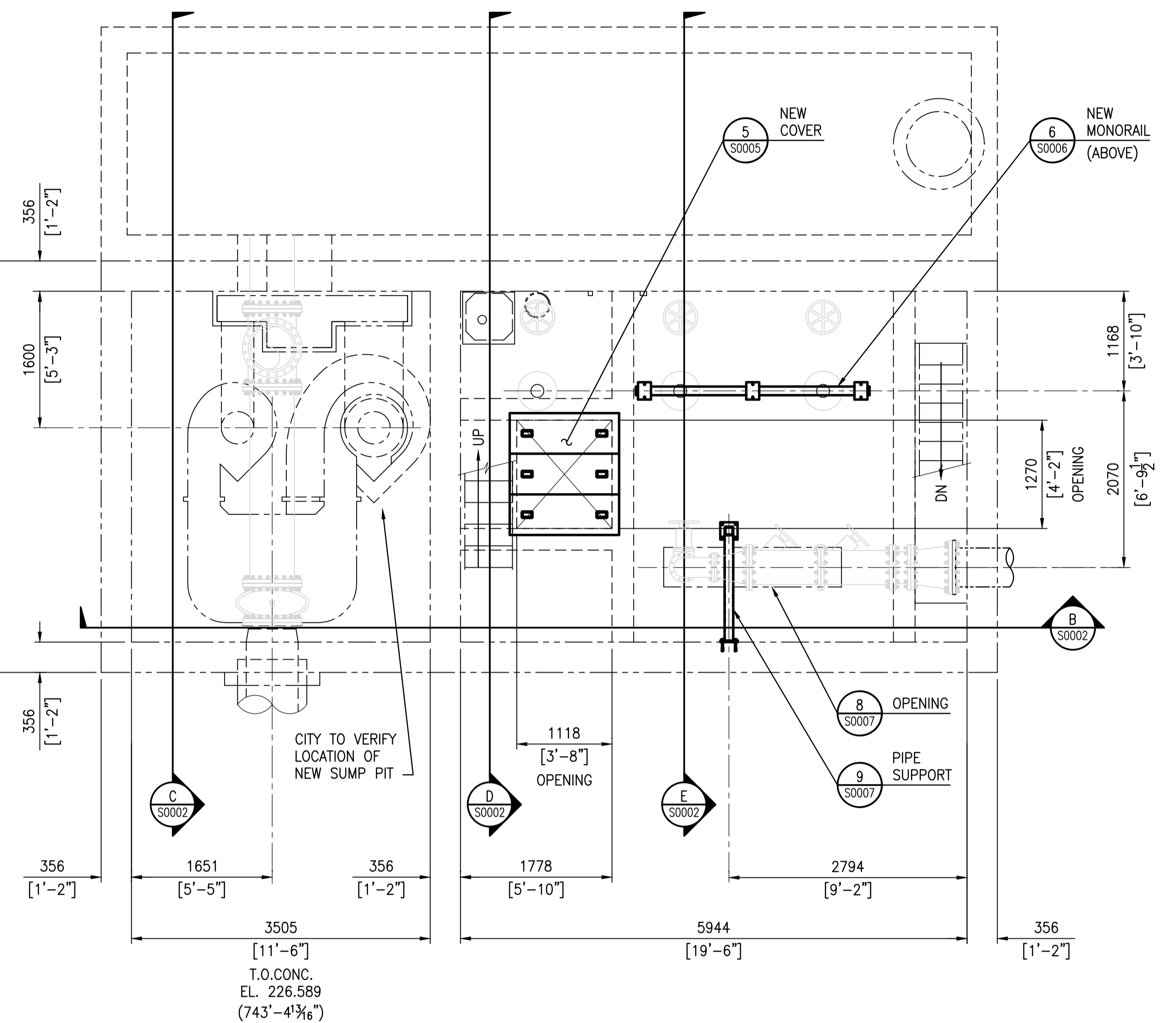
**NOTES:**

- SEE DRAWING 1-0169L-S0004 FOR GENERAL NOTES.
- SEE DRAWING 1-0169L-S0005 FOR STRUCTURAL NOTES.

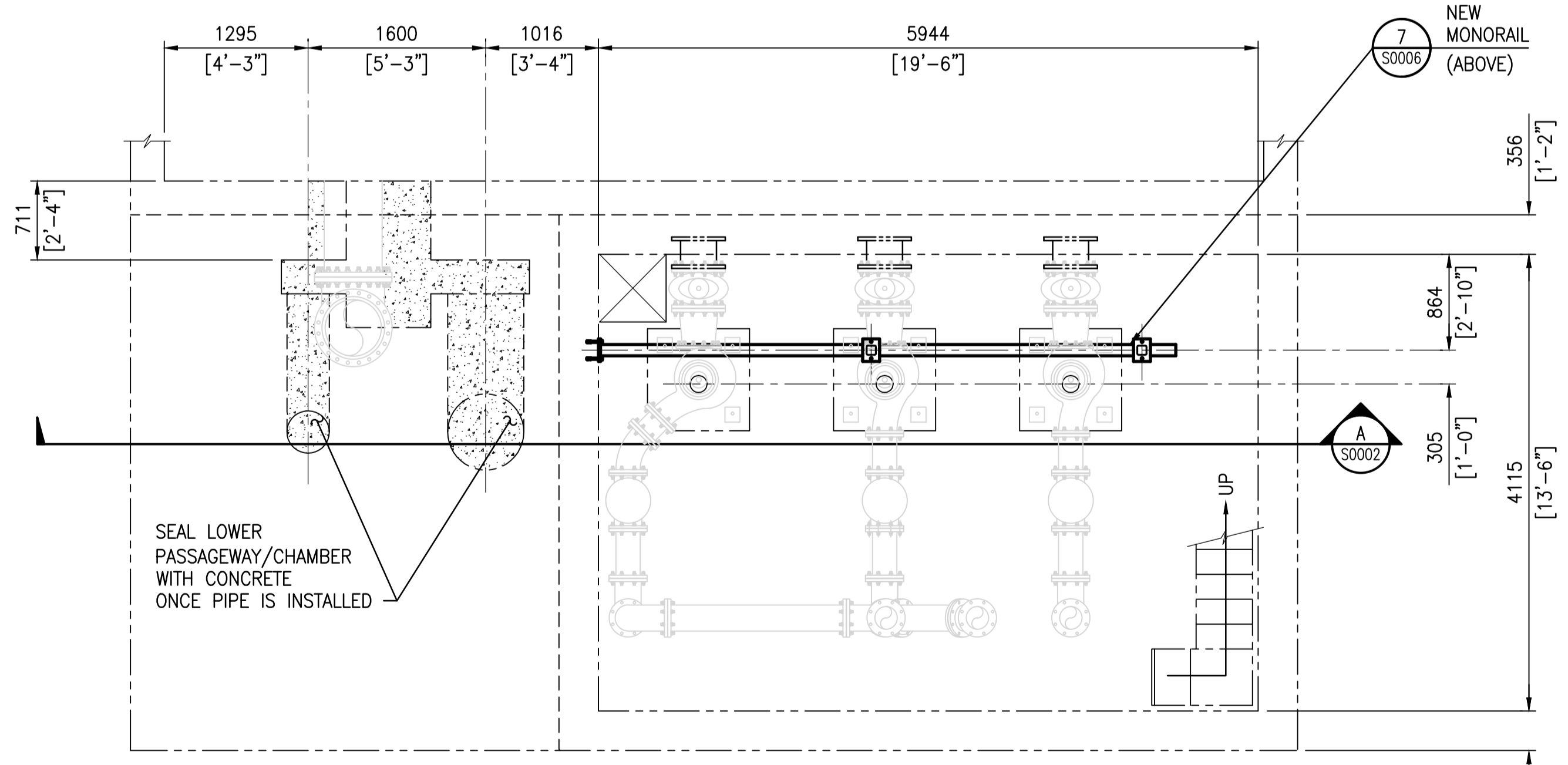


PLAN @ T.O.C. EL. 232.715 (763'-6")  
 SCALE: 1 : 40

PARTIAL PLAN @ T.O.C. EL. 230.715 (755'-2")  
 SCALE: 1 : 40



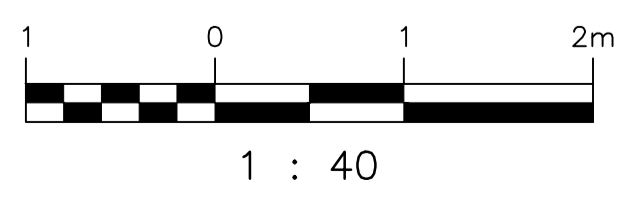
PLAN ABOVE EL. 227.635 (746'-10")  
 SCALE: 1 : 40



PLAN ABOVE EL. 224.269 (735'-9 1/2")  
 SCALE: 1 : 40



403-B	AINSLIE COMM. & PUMPING STATION - SUPERSTRUCTURE & DETAILS
403-A	AINSLIE COMM. & PUMPING STATION - REINFORCING DETAILS
403	AINSLIE COMM. & PUMPING STATION
DRAWING NUMBER	REFERENCE DRAWINGS



00	ISSUED FOR TENDER	2015/09/17	K.K.
NO.	REVISIONS	DATE	DESIGN/CHECK

 SNC-Lavalin Inc. 148 Nature Park Way Winnipeg, MB, Canada R3P 0X7 204-786-8080	
DESIGNED BY: K. KOTYK	CHECKED BY: D. COATES
DRAWN BY: B. DICKSON	APPROVED BY: I. PARKINSON
SCALE: 1:40	ISSUED FOR CONSTRUCTION BY: DATE:
DATE: 2015/06/22	DATE:
CONSULTANT NO.:	

ENGINEER'S SEAL  
**PRELIMINARY**  
 NOT TO BE  
 USED FOR  
 CONSTRUCTION

**THE CITY OF WINNIPEG**  
 WATER AND WASTE DEPARTMENT

OLIVE WASTEWATER LIFT STATION  
 2015 UPGRADES  
 PLANS  
 STRUCTURAL MODIFICATIONS

CITY DRAWING NUMBER	SHEET	REV.	SIZE
1-0169L-S0001	001	00	A1