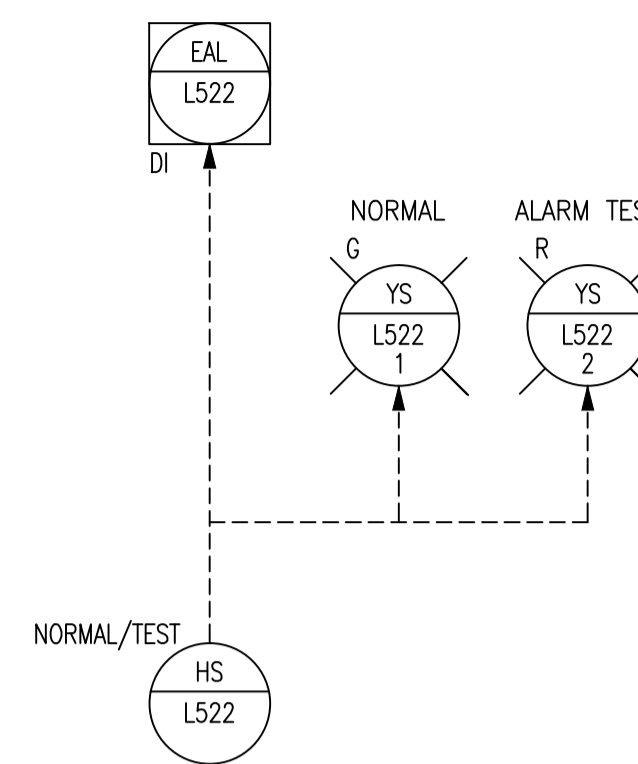
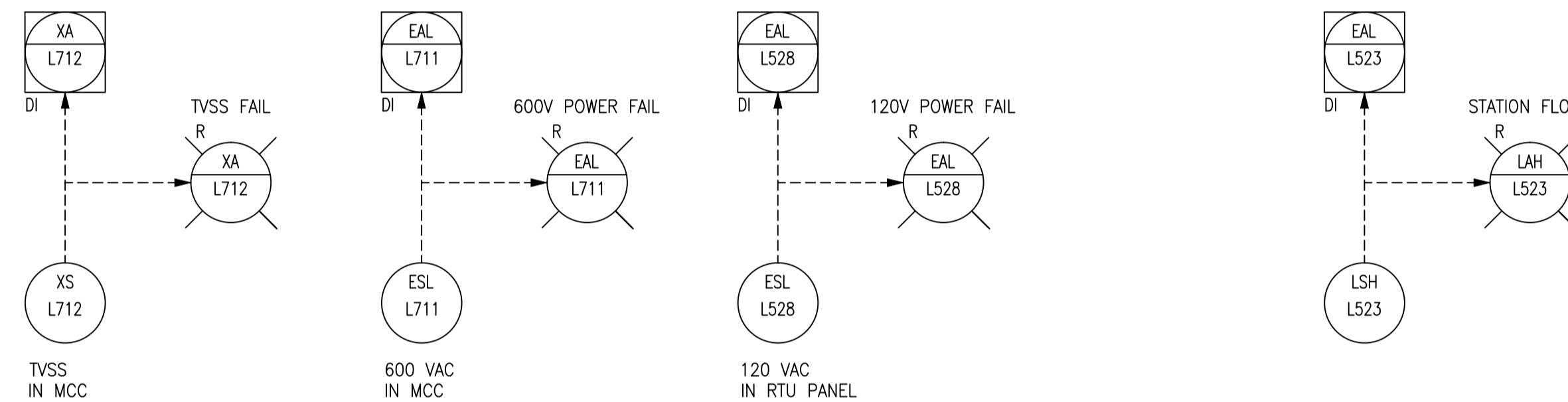


**LEGEND:**

- DEVICE DESCRIPTORS:**
- A AMBER
  - AI ANALOG INPUT
  - AO ANALOG OUTPUT
  - DI DISCRETE INPUT
  - DO DISCRETE OUTPUT
  - G GREEN
  - R RED
  - S/S START/STOP
- FUNCTIONAL IDENTIFIERS:**
- EI VOLTAGE INDICATOR
  - ESL LOW VOLTAGE SWITCH
  - FI FLOW INDICATOR
  - HS HAND SWITCH
  - II CURRENT INDICATOR
  - KQI TOTAL RUN TIME
  - LC LEVEL CONTROLLER
  - LIT LEVEL INDICATING TRANSMITTER
  - LIY LEVEL INDICATING RELAY
  - LSH LEVEL SWITCH HIGH
  - LT LEVEL TRANSMITTER
  - LY LEVEL RELAY
  - MM MOTOR RUNNING
  - MN MOTOR START
  - PG PRESSURE GAUGE
  - PSL PRESSURE SWITCH LOW
  - TSH TEMPERATURE SWITCH HIGH

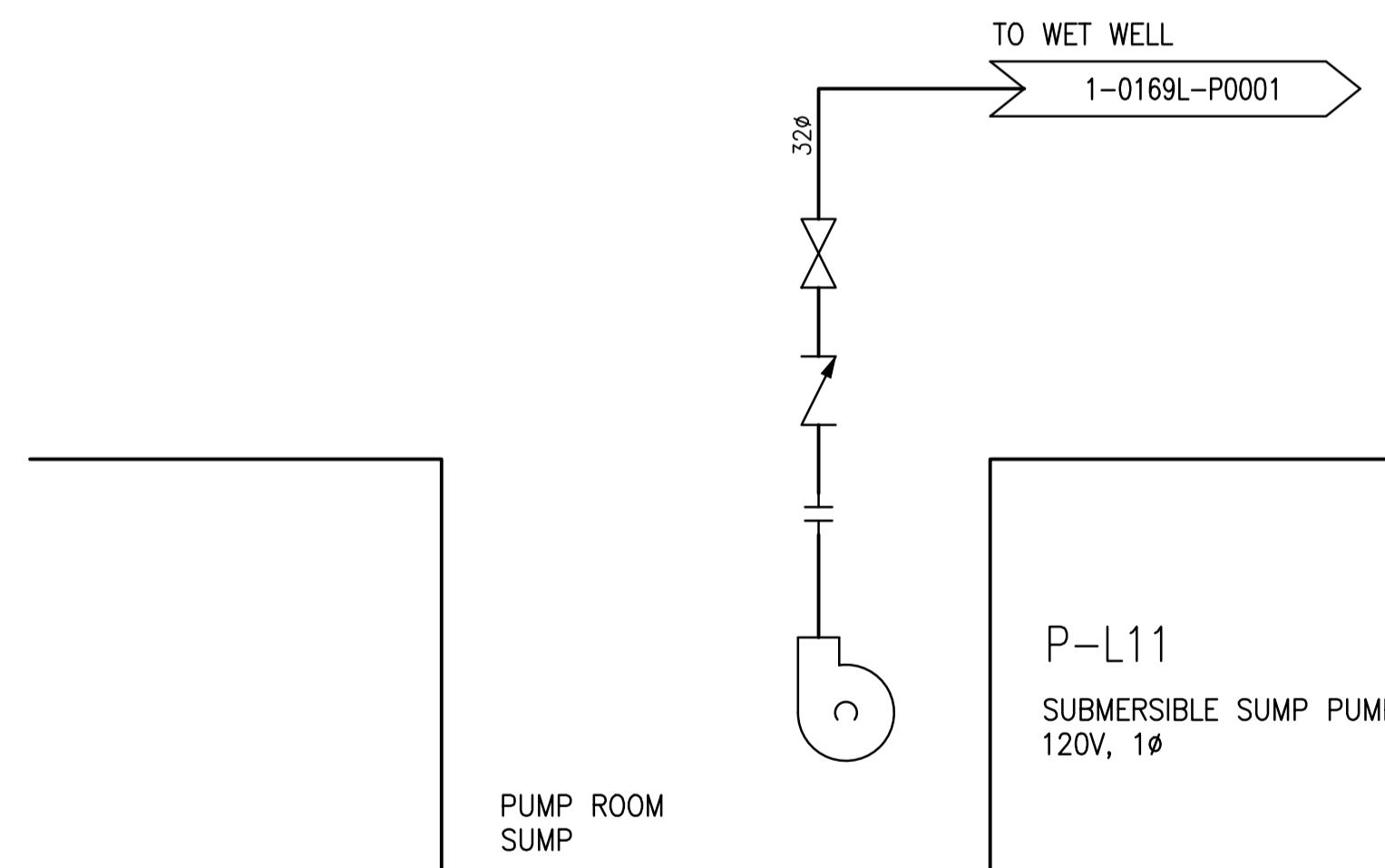


RTU ALARM LOCKOUT



ELECTRICAL POWER ALARMS

STATION FLOOD ALARM



**NOTES:**

- ALL INSTRUMENT IDENTIFIERS HAVE AN OPTIONAL FACILITY PREFIX OF "OLI-".  
EXAMPLE: OLI-ESL-L527



NO.	REVISIONS	DATE	DESIGN	CHECK
01	ISSUED FOR TENDER	2015/09/17	TS	SSN
00	ISSUED FOR CITY USE	2012/01/31	-	TMC

		SNC-LAVALIN INC. 148 Nature Park Way Winnipeg, MB, Canada R3P 0X7 204-798-8080	
DESIGNED BY:	T. SCHICK	CHECKED BY:	S. NORSWORTHY
DRAWN BY:	Y. KONIG	APPROVED BY:	S. NORSWORTHY
SCALE:	NTS	ISSUED FOR CONSTRUCTION BY:	
DATE:	2015/08/25	DATE:	
CONSULTANT NO.:			

ENGINEER'S SEAL

**PRELIMINARY**

**NOT TO BE USED FOR CONSTRUCTION**

**THE CITY OF WINNIPEG**  
WATER AND WASTE DEPARTMENT

OLIVE WASTEWATER PUMPING STATION  
2015 UPGRADES  
PROCESS & INSTRUMENTATION DIAGRAM  
HVAC & MISC

CITY DRAWING NUMBER	SHEET	REV.	SIZE
1-0169L-P0002	001	01	A1