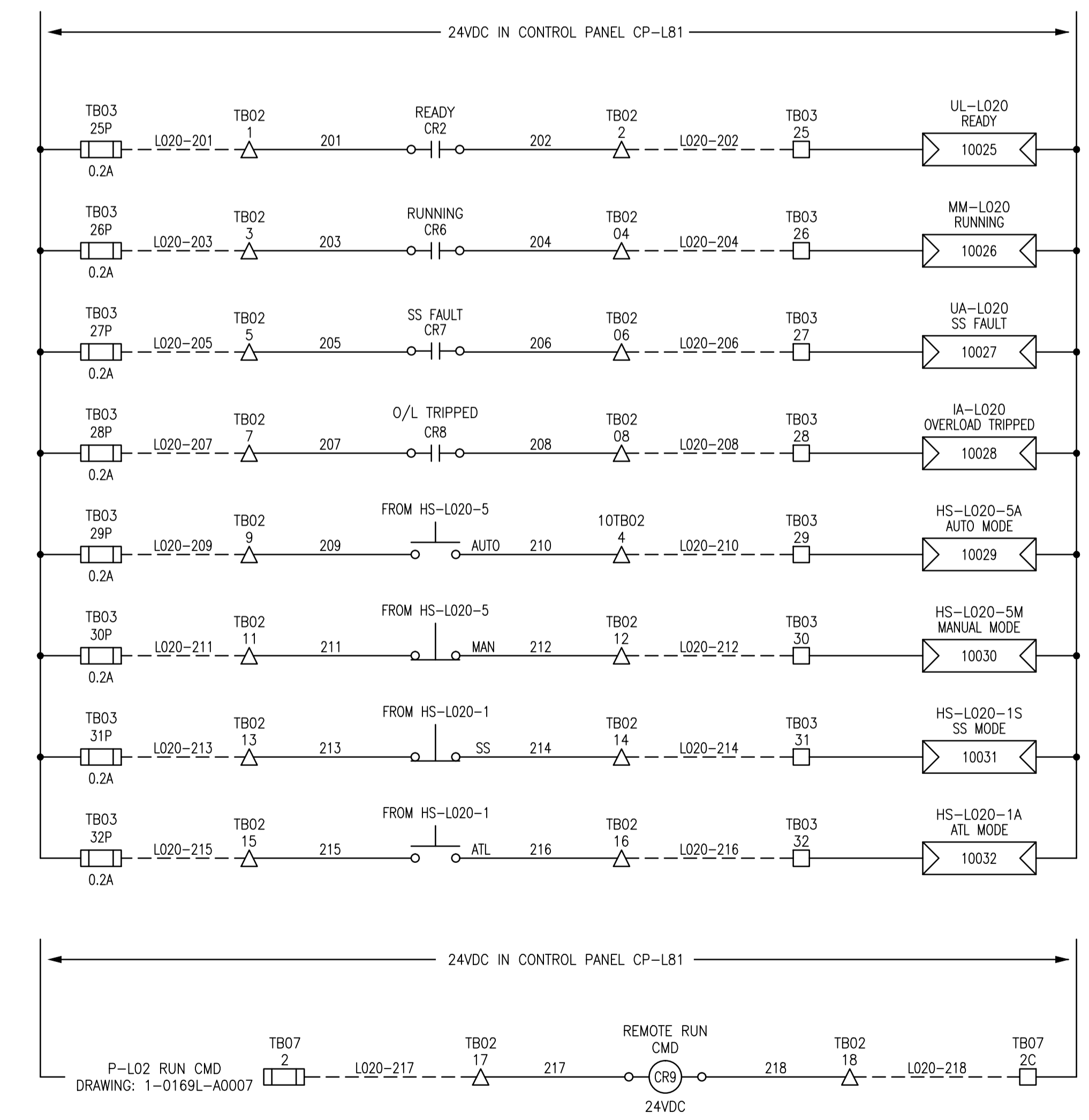
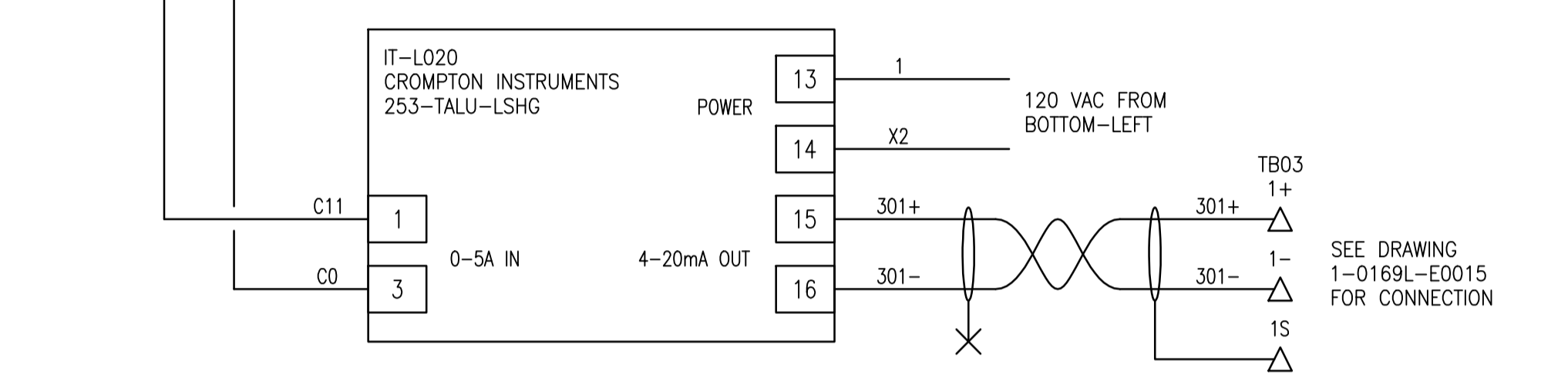


LEGEND:

- INTERNAL WIRING
- - - FIELD (EXTERNAL) WIRING
- △ SOFT START ENCLOSURE TERMINAL
- ⊠ SOFT START DEVICE TERMINAL
- ⊞ CONTROL RELAY OR CONTACTOR CONTACT
- ⊞ INDICATING LIGHT, A = AMBER, B = BLUE, G = GREEN, R = RED
- ⊞ RELAY OR CONTACTOR COIL
- ⊞ TRANSIENT VOLTAGE SUPPRESSOR
- ⊞ ELAPSED TIME METER
- ⊞ AMMETER



1-0169L-E0015	MS-L02 CONNECTION DIAGRAM
DRAWING NUMBER	REFERENCE DRAWINGS

- NOTES:**
- COMPLETE ASSEMBLY TO HAVE A SHORT CIRCUIT CURRENT RATING OF 14kA OR HIGHER.
 - GROUP AND SPACE 120VAC, 24VDC AND 4-20mA TERMINALS AND WIRING SEPARATELY.
 - ALL REMOTE WIRING IS 24VDC.
 - COLOUR CODE WIRING AS FOLLOWS:
 POWER - 120VAC SUPPLY BLACK
 POWER - 120VAC NEUTRAL WHITE
 POWER - 24VDC SUPPLY (+) BLUE
 POWER - 24VDC COMMON (-, OR OVD) BROWN
 DISCRETE CONTROL -AC RED
 DISCRETE CONTROL -DC BLUE
 GROUND GREEN



00	ISSUED FOR TENDER	2015/09/17	BJC	-
NO.	REVISIONS	DATE	DESIGN	CHECK

SNC-LAVALIN INC.
 148 Nature Park Way
 Winnipeg, MB, Canada R3P 0X7
 204-786-8080

DESIGNED BY: B. CLEVEN
 CHECKED BY:
 DRAWN BY: C. BURZYNSKI
 APPROVED BY:
 SCALE: NTS
 ISSUED FOR CONSTRUCTION
 DATE: 2015/06/05
 BY:
 CONSULTANT NO.:

THE CITY OF WINNIPEG
 WATER AND WASTE DEPARTMENT

PRELIMINARY
 NOT TO BE USED FOR CONSTRUCTION

OLIVE WASTEWATER PUMPING STATION
 2015 UPGRADES
 MOTOR STARTER SCHEMATIC
 MS-L02
 WASTEWATER LIFT PUMP

CITY DRAWING NUMBER: 1-0169L-E0014
 SHEET: 001
 REV: 00
 SIZE: A1