

LOWER LEVEL 1 - COMMUNITOR MOTOR ROOM
SCALE: 1 : 20

DEMOLITION NOTES:

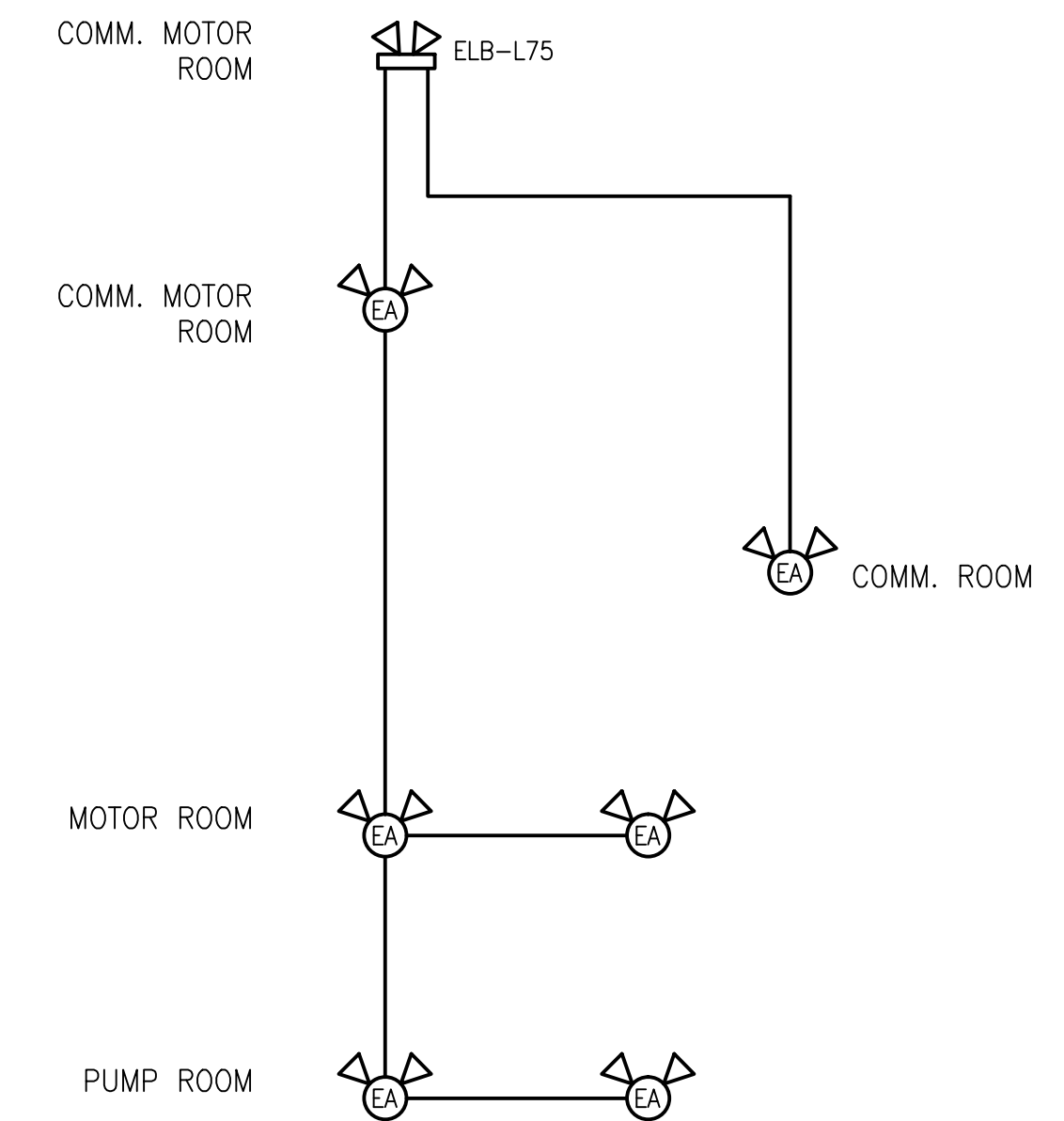
- (A) PROVIDE DEMOLITION OF EXISTING RECEPTACLES INCLUDING CABLING, CONDUIT, JUNCTION BOXES AND SUPPORTS. REMOVE CABLING AND CONDUIT BACK TO SOURCE PANEL.
- (B) PROVIDE DEMOLITION OF EXISTING LIGHTING FIXTURES, INCLUDING CABLING, CONDUIT, JUNCTION BOXES, SUPPORTS, AND CONTROLS.

CONSTRUCTION NOTES:

- (1) INSTALL NEW WEATHERPROOF GFCI RECEPTACLE.
- (2) INSTALL NEW 2X32W FLUORESCENT LUMINAIRE.
- (3) INSTALL NEW EMERGENCY LIGHTING BATTERY UNIT WITH THE BOTTOM OF ENCLOSURE NOT LESS THAN 2.0M ABOVE FINISHED FLOOR.
- (4) INSTALL NEW EMERGENCY LIGHTING REMOTE FIXTURE WITH THE BOTTOM OF THE FIXTURE NOT LESS THAN 2.0M ABOVE THE FINISHED FLOOR.

LEGEND:

- DEMOLITION
- EXISTING
- NEW WORK



DETAIL: EMERGENCY LIGHTING RISER DIAGRAM
SCALE: N.T.S.



NO.	REVISIONS	DATE	DESIGN	CHECK
00	ISSUED FOR TENDER	2015/09/17	BJC	-

		SNC-LAVALIN INC. 148 Nature Park Way Winnipeg, MB, Canada R3P 0X7 204-786-8080	
DESIGNED BY:	B. CLEVEN	CHECKED BY:	
DRAWN BY:	C. BURZYNSKI	APPROVED BY:	
SCALE:	1:20	ISSUED FOR CONSTRUCTION BY:	
DATE:	2015/06/22	DATE:	
CONSULTANT NO.:			

ENGINEER'S SEAL
**PRELIMINARY
NOT TO BE
USED FOR
CONSTRUCTION**

THE CITY OF WINNIPEG
 WATER AND WASTE DEPARTMENT

OLIVE WASTEWATER PUMPING STATION
 2015 UPGRADES
 ELECTRICAL AND LIGHTING PLAN LAYOUT
 LOWER LEVEL 1 - COMMUNITOR MOTOR ROOM

CITY DRAWING NUMBER	SHEET	REV.	SIZE
1-0169L-E0007	001	00	A1