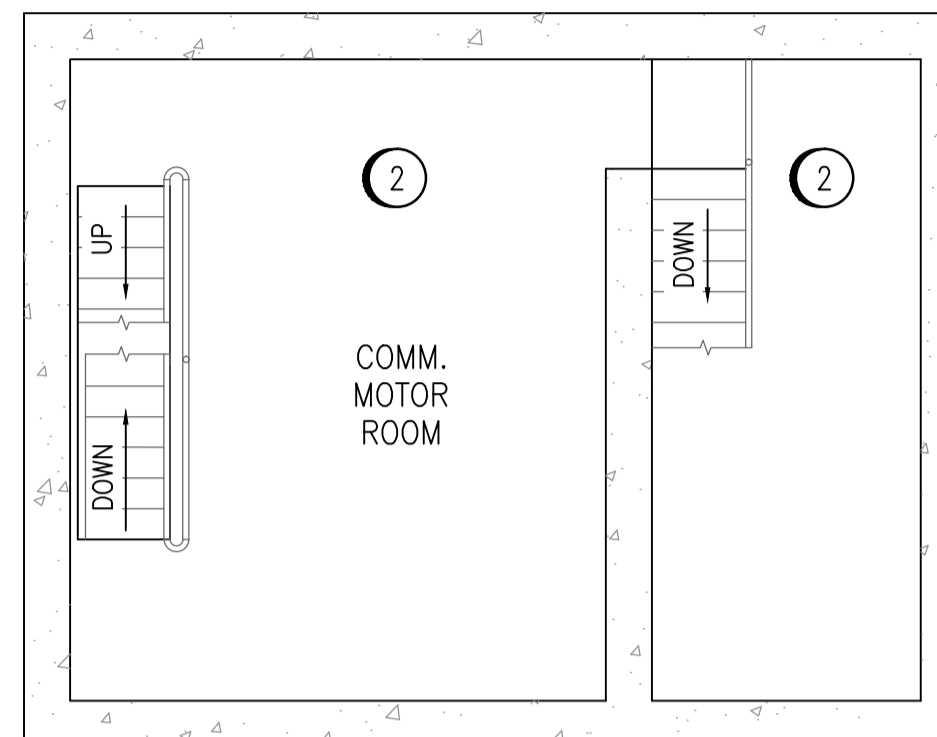


**MAIN FLOOR PLAN**  
SCALE: 1 : 50



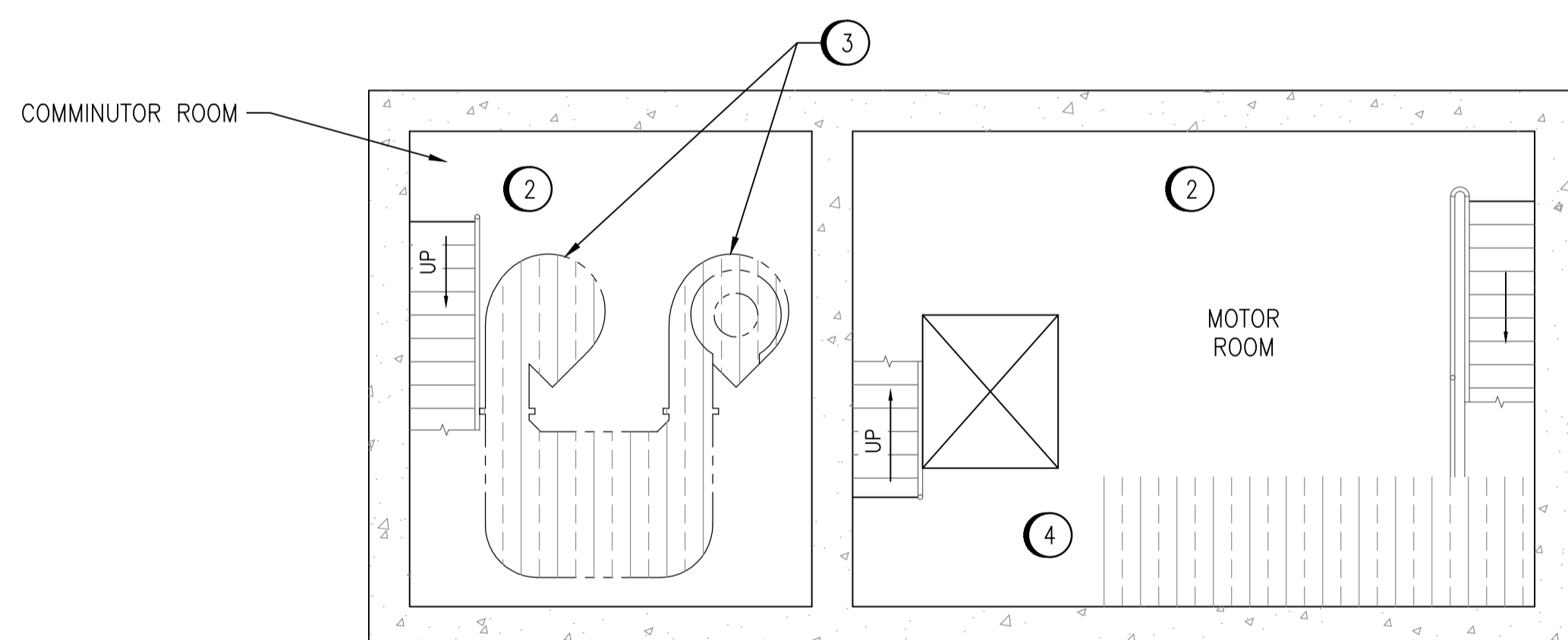
**LOWER LEVEL 1 - COMMUNITOR MOTOR ROOM**  
SCALE: 1 : 50

**SPECIFIC NOTES:**

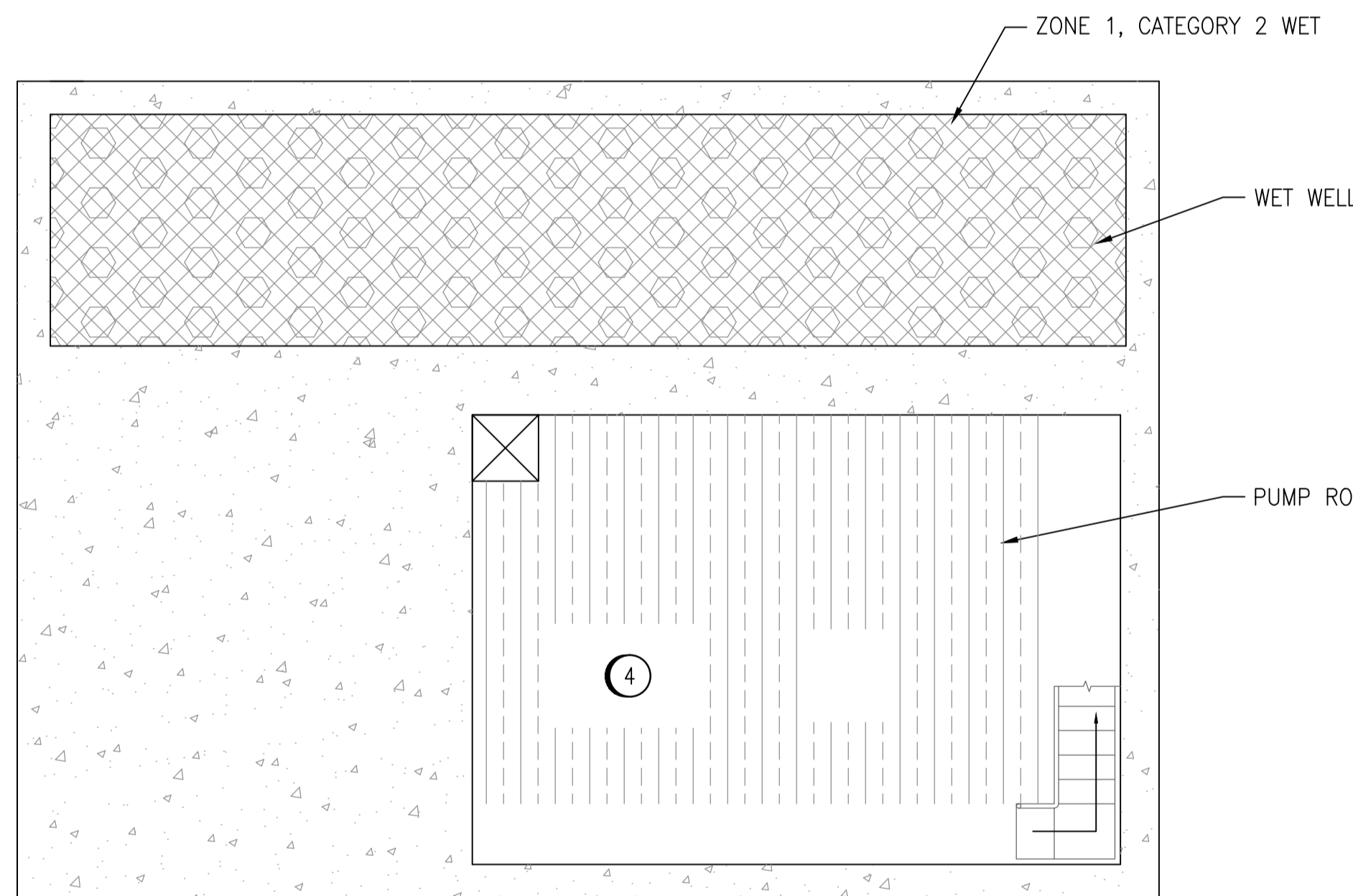
- ① THE REQUIRED TEMPERATURE CODE FOR ALL HAZARDOUS LOCATIONS ON THIS DRAWING IS T2A (280°C).
- ② ALL INTERIOR BUILDING SPACES, WITH THE EXCEPTION OF THE WET WELL, ARE PROVIDED WITH 6 ACH OF CONTINUOUS VENTILATION, WITH UP TO 75% RECIRCULATION IN COLD WEATHER TO CONSERVE HEAT.
- ③ THE COMMUNITOR BASINS ARE A CATEGORY 1 LOCATION.
- ④ THE AREAS IN THE MOTOR ROOM AND PUMP ROOM THAT ARE BELOW PIPING, ON WHICH MOISTURE MAY CONDENSE, ARE A CATEGORY 1 LOCATION.

**LEGEND**

	HAZARDOUS CLASS I, ZONE 1, GROUP IIA
	HAZARDOUS CLASS I, ZONE 2, GROUP IIA
	CATEGORY 1 (MOISTURE)
	CATEGORY 2 (CORROSIVE)
	CATEGORY 2 WET (MOISTURE & CORROSIVE)



**LOWER LEVEL 2 - MOTOR AND COMMUNITOR ROOMS**  
SCALE: 1 : 50



**LOWER LEVEL 3 - PUMP ROOM AND WET WELL**  
SCALE: 1 : 50



NO.	REVISIONS	DATE	DESIGN	CHECK
00	ISSUED FOR TENDER	2015/09/17	BJC	-

 SNC-LAVALIN INC. 148 Nature Park Way Winnipeg, MB, Canada R3P 0X7 204-786-8080	
DESIGNED BY: B. CLEVEN	CHECKED BY:
DRAWN BY: Y. KONIG	APPROVED BY:
SCALE: 1:50	ISSUED FOR CONSTRUCTION BY:
DATE: 2015/06/16	DATE:
CONSULTANT NO.:	

ENGINEER'S SEAL  
**PRELIMINARY  
NOT TO BE  
USED FOR  
CONSTRUCTION**

 THE CITY OF WINNIPEG WATER AND WASTE DEPARTMENT	
OLIVE WASTEWATER PUMPING STATION 2015 UPGRADES HAZARDOUS LOCATION PLAN	
CITY DRAWING NUMBER 1-0169L-E0004	SHEET REV. SIZE 001 00 A1