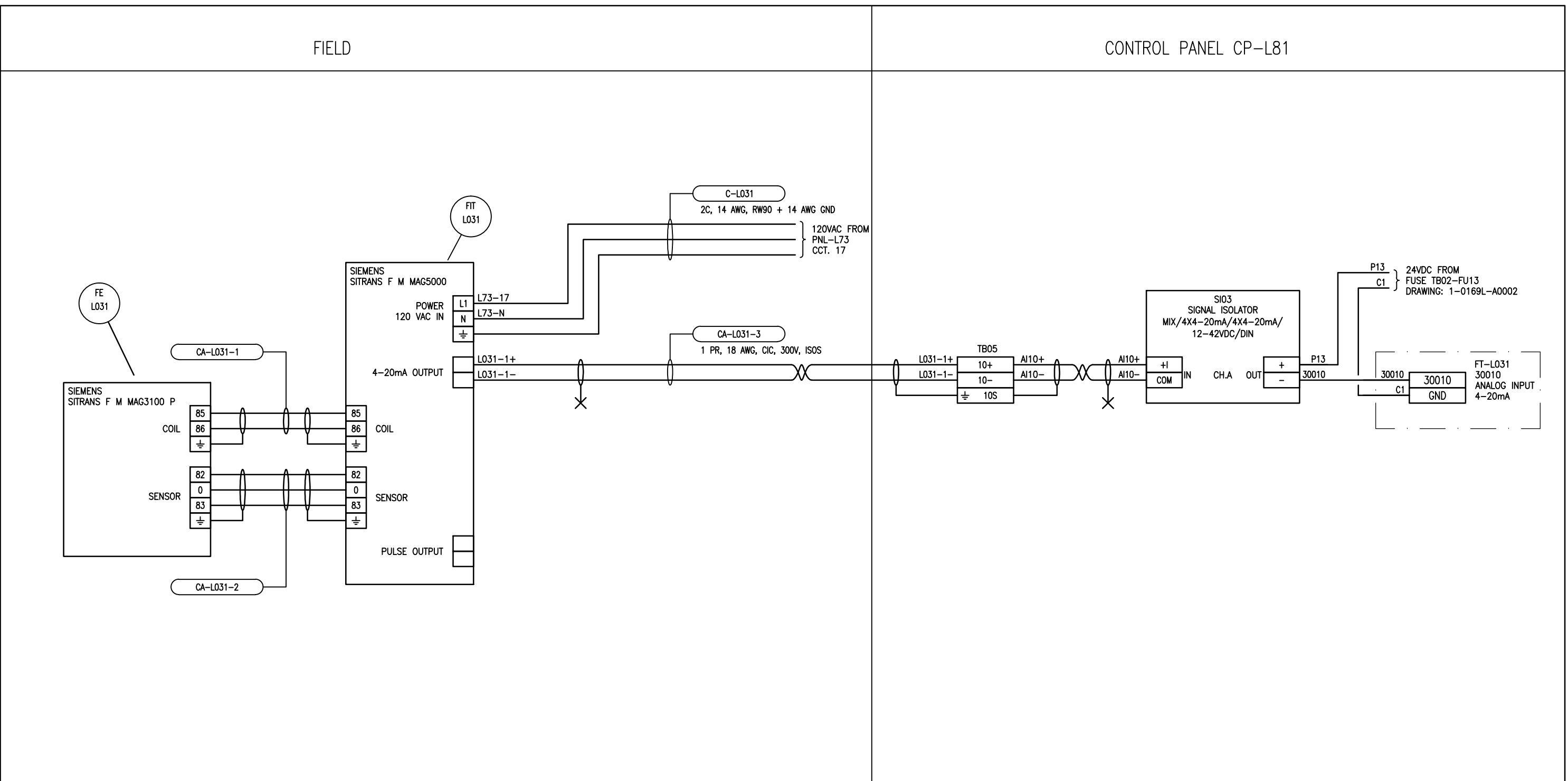


LAST SAVE: 2015/09/17 - 12:54pm
 PATH: M:\629179\4ENG\48&C\DD - General DWG\1-0169L-A0017-001-00.dwg
 B SIZE - 279mm x 432mm



SNC-LAVALIN INC.
 148 Nature Park Way
 Winnipeg, MB, Canada R3P 0X7
 204-786-8080

NO.	REVISIONS	DATE	DESIGN	CHECK
00	ISSUED FOR TENDER	2015/09/17	BJC	-

DESIGNED BY: B. CLEVEN	CHECKED BY:
DRAWN BY: C. BURZYNSKI	APPROVED BY:
SCALE: NTS	DATE: 2015/08/06
ISSUED FOR CONSTRUCTION DATE:	
BY:	
CONSULTANT NO.:	

ENGINEER'S SEAL
**PRELIMINARY
 NOT TO BE
 USED FOR
 CONSTRUCTION**

THE CITY OF WINNIPEG
 WATER AND WASTE DEPARTMENT

OLIVE WASTEWATER PUMPING STATION
 2015 UPGRADES
 LOOP DIAGRAM
 P-L03 FLOW METER
 FIT-L031

CITY DRAWING NUMBER	SHEET	REV.	SIZE
1-0169L-A0017	001	00	B