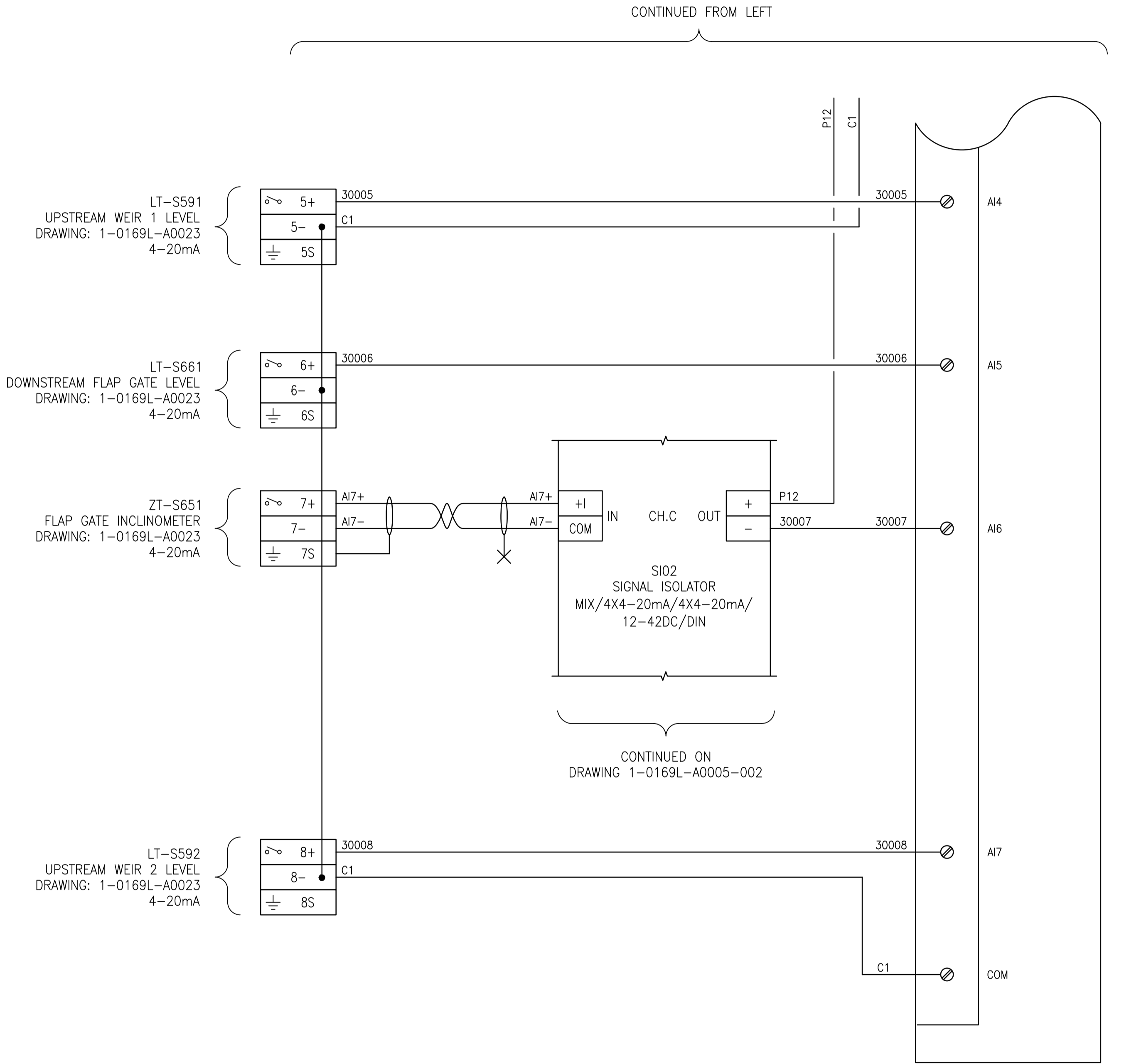
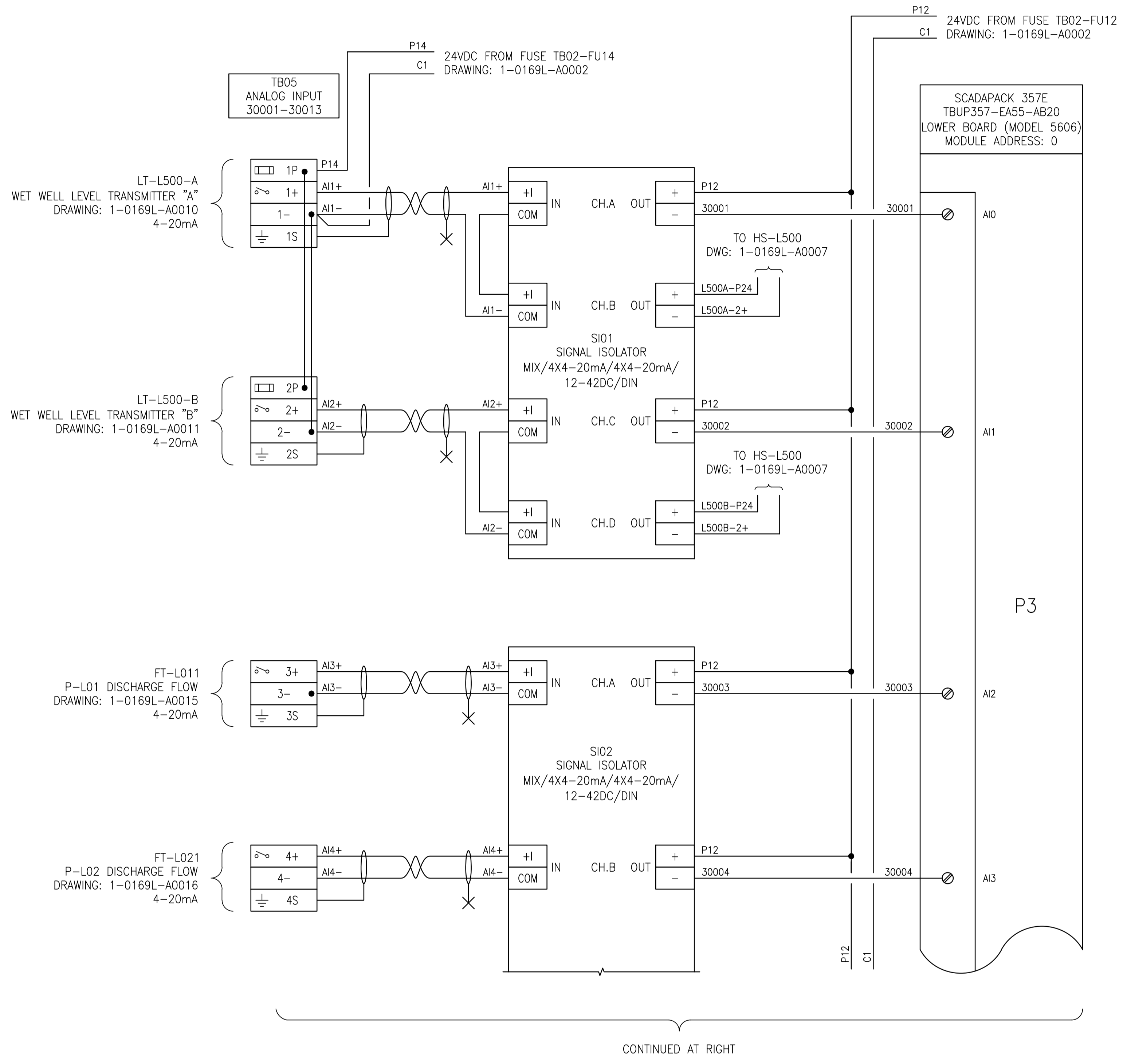


FUSE SCHEDULE			
TB	IDENTIFIER	SIZE	RATED CURRENT (A)
TB05	1P	5x20mm	0.2
	2P	5x20mm	0.2



NO.	REVISIONS	DATE	DESIGN	CHECK
00	ISSUED FOR TENDER	2015/09/17	BJC	-

SNC-LAVALIN INC.
148 Nature Park Way
Winnipeg, MB, Canada R3P 0X7
204-796-8080

DESIGNED BY: B. CLEVEN
CHECKED BY:
DRAWN BY: B. CLEVEN
APPROVED BY:
SCALE: NTS
ISSUED FOR CONSTRUCTION BY:
DATE: 2015/08/25
DATE:

CONSULTANT NO.:

ENGINEER'S SEAL

**PRELIMINARY
NOT TO BE
USED FOR
CONSTRUCTION**

THE CITY OF WINNIPEG
WATER AND WASTE DEPARTMENT

OLIVE WASTEWATER PUMPING STATION
2015 UPGRADES
RTU I/O WIRING DIAGRAM
CONTROL PANEL CP-LB1
ANALOG INPUTS 30001-30008

CITY DRAWING NUMBER: 1-0169L-A0005
SHEET: 001
REV: 00
SIZE: A1