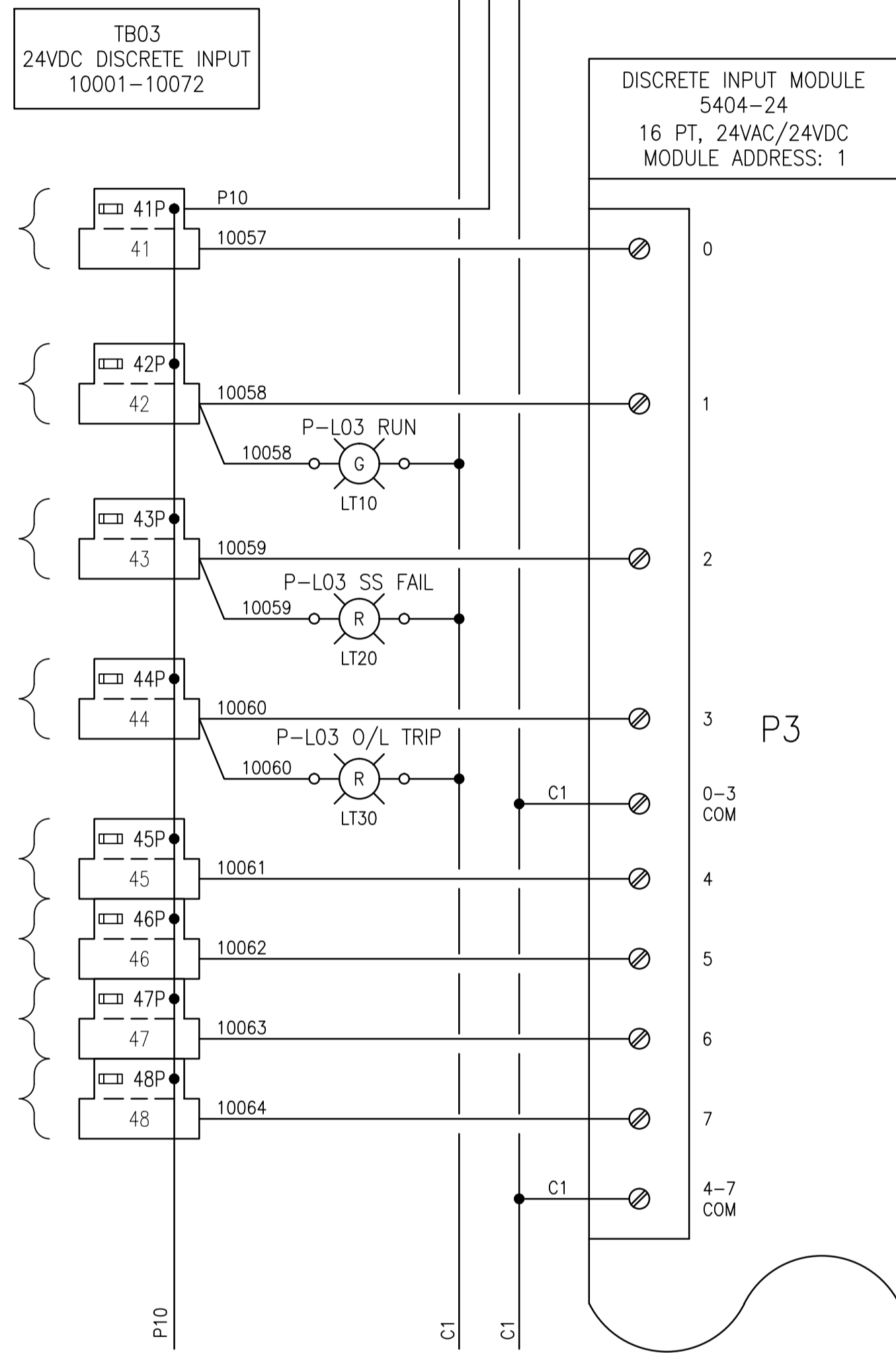


DRAWING NUMBER	REFERENCE DRAWINGS
----------------	--------------------

OVDC CONTINUED FROM
 DRAWING 1-0169L-A0003-002

P10 24VDC FROM FUSE TB02-FU10
 C1 DRAWING: 1-0169L-A0002



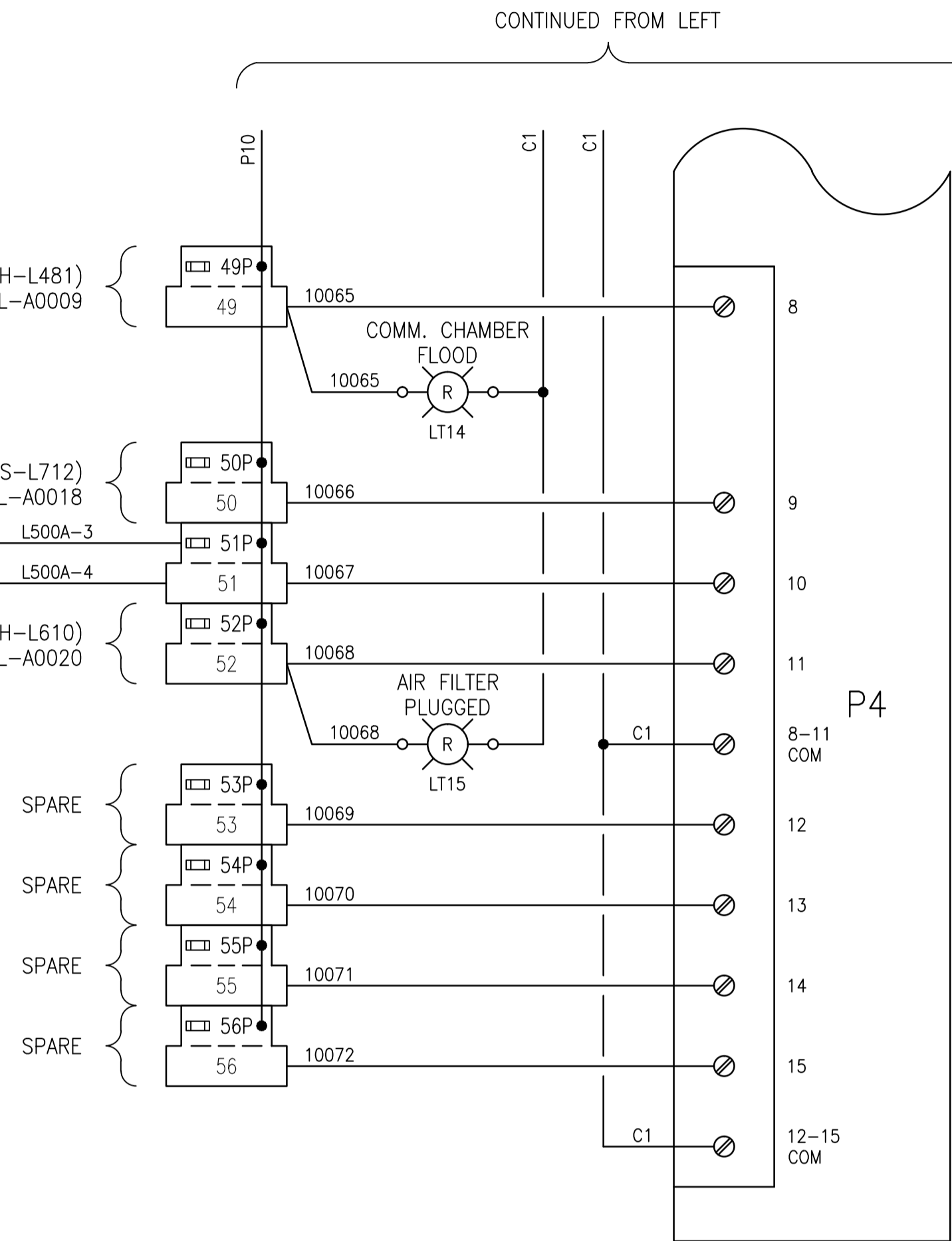
CONTINUED AT RIGHT

COMMUNOTOR CHAMBER FLOOD SWITCH (LSH-L481)
 DRAWING: 1-0169L-A0009

MCC-L71 TVSS STATUS (XS-L712)
 DRAWING: 1-0169L-A0018

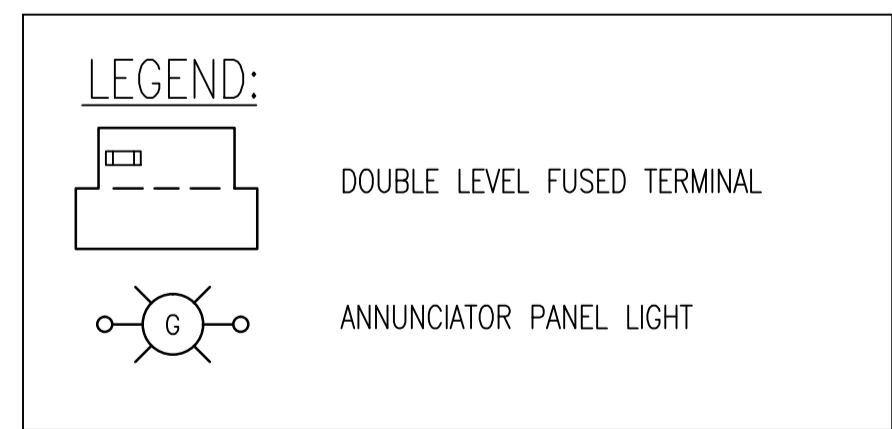
TO HS-L500
 LEVEL TRANSMITTER 'A' SELECTED (YL-L500)
 DRAWING: 1-0169L-A0007

AIR FILTER PLUGGED (PDSH-L610)
 DRAWING: 1-0169L-A0020



CONTINUED FROM LEFT

FUSE SCHEDULE			
TB	IDENTIFIER	SIZE	RATED CURRENT (A)
TB03	41P	5x20mm	0.2
	42P	5x20mm	0.2
	43P	5x20mm	0.2
	44P	5x20mm	0.2
	45P	5x20mm	0.2
	46P	5x20mm	0.2
	47P	5x20mm	0.2
	48P	5x20mm	0.2
	49P	5x20mm	0.2
	50P	5x20mm	0.2
	51P	5x20mm	0.2
	52P	5x20mm	0.2
53P	5x20mm	0.2	
54P	5x20mm	0.2	
55P	5x20mm	0.2	
56P	5x20mm	0.2	



DESIGNED BY: B. CLEVEN	CHECKED BY:		
DRAWN BY: C. BURZYNSKI	APPROVED BY:		
SCALE: NTS	ISSUED FOR CONSTRUCTION BY:		
DATE: 2015/08/06	DATE:		
ISSUED FOR TENDER	2015/09/17	BJC	-
NO. REVISIONS	DATE	DESIGN	CHECK

SNC-LAVALIN INC.
 148 Nature Park Way
 Winnipeg, MB, Canada R3P 0X7
 204-786-8080

ENGINEER'S SEAL

**PRELIMINARY
 NOT TO BE
 USED FOR
 CONSTRUCTION**

THE CITY OF WINNIPEG
 WATER AND WASTE DEPARTMENT

OLIVE WASTEWATER PUMPING STATION
 2015 UPGRADES
 RTU I/O WIRING DIAGRAM
 CONTROL PANEL CP-LB1
 DISCRETE INPUTS 10057-10072

CITY DRAWING NUMBER: 1-0169L-A0003 SHEET: 004 REV: 00 SIZE: A1