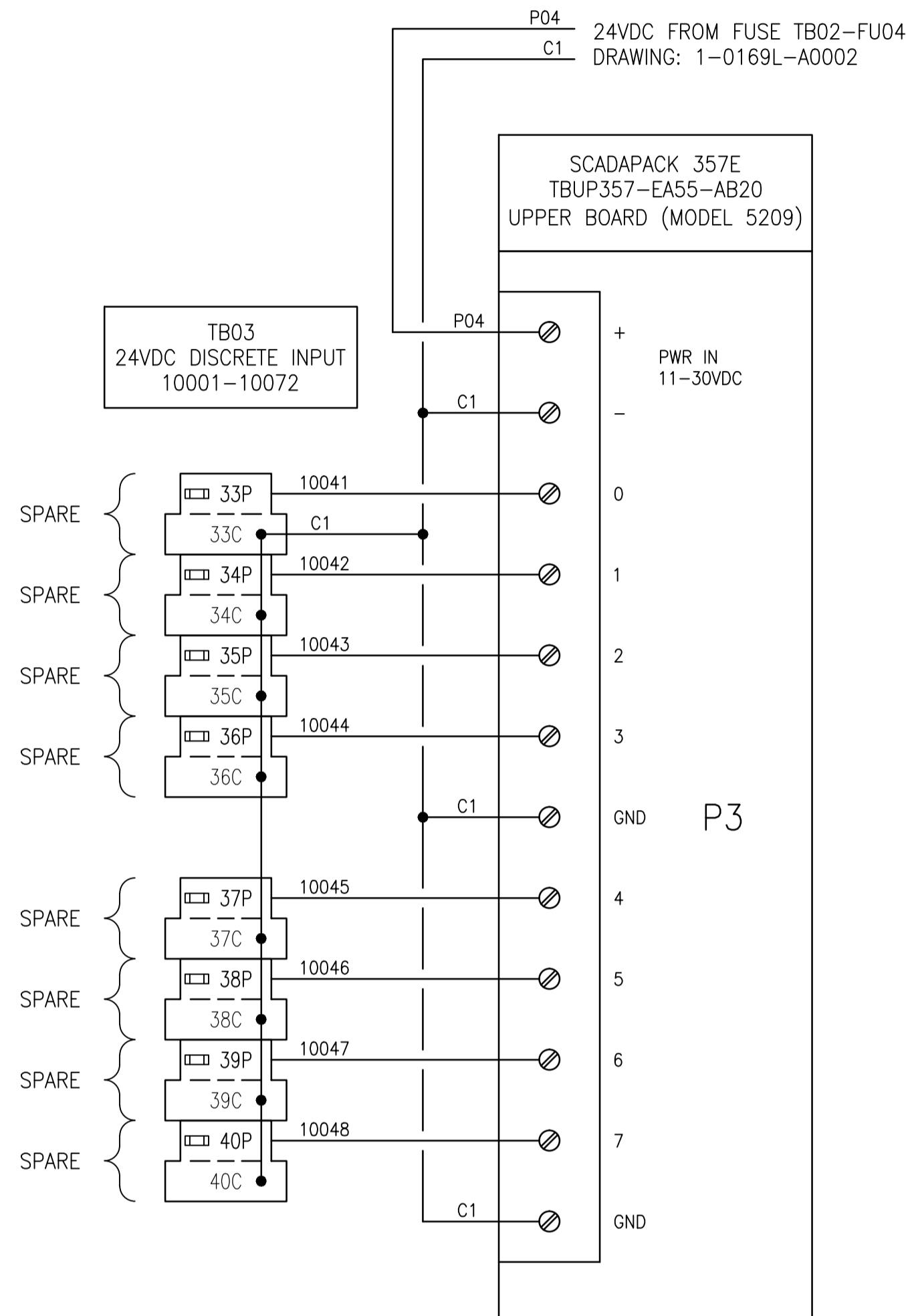


FUSE SCHEDULE			
TB	IDENTIFIER	SIZE	RATED CURRENT (A)
TB03	33P	5x20mm	0.2
	34P	5x20mm	0.2
	35P	5x20mm	0.2
	36P	5x20mm	0.2
	37P	5x20mm	0.2
	38P	5x20mm	0.2
	39P	5x20mm	0.2
	40P	5x20mm	0.2



NOTE: THE DISCRETE INPUTS ON THE UPPER BOARD CONNECTOR P3 ARE SOURCING INPUTS.
 THE SCADAPACK 357 SOURCES APPROXIMATELY 5mA WETTING CURRENT OUT OF EACH INPUT.

DRAWING NUMBER	REFERENCE DRAWINGS
----------------	--------------------



NO.	REVISIONS	DATE	DESIGN	CHECK
00	ISSUED FOR TENDER	2015/09/17	BJC	-

SNC-LAVALIN INC.
 148 Nature Park Way
 Winnipeg, MB, Canada R3P 0X7
 204-786-8080

DESIGNED BY: B. CLEVEN
 DRAWN BY: C. BURZYNSKI
 SCALE: NTS
 DATE: 2015/08/06

CHECKED BY:
 APPROVED BY:
 ISSUED FOR CONSTRUCTION BY:
 DATE:

CONSULTANT NO.:

ENGINEER'S SEAL

PRELIMINARY
 NOT TO BE
 USED FOR
 CONSTRUCTION

THE CITY OF WINNIPEG
 WATER AND WASTE DEPARTMENT

OLIVE WASTEWATER PUMPING STATION
 2015 UPGRADES
 RTU I/O WIRING DIAGRAM
 CONTROL PANEL CP-LB1
 DISCRETE INPUTS 10041-10048

CITY DRAWING NUMBER: 1-0169L-A0003
 SHEET: 003
 REV.: 00
 SIZE: A1