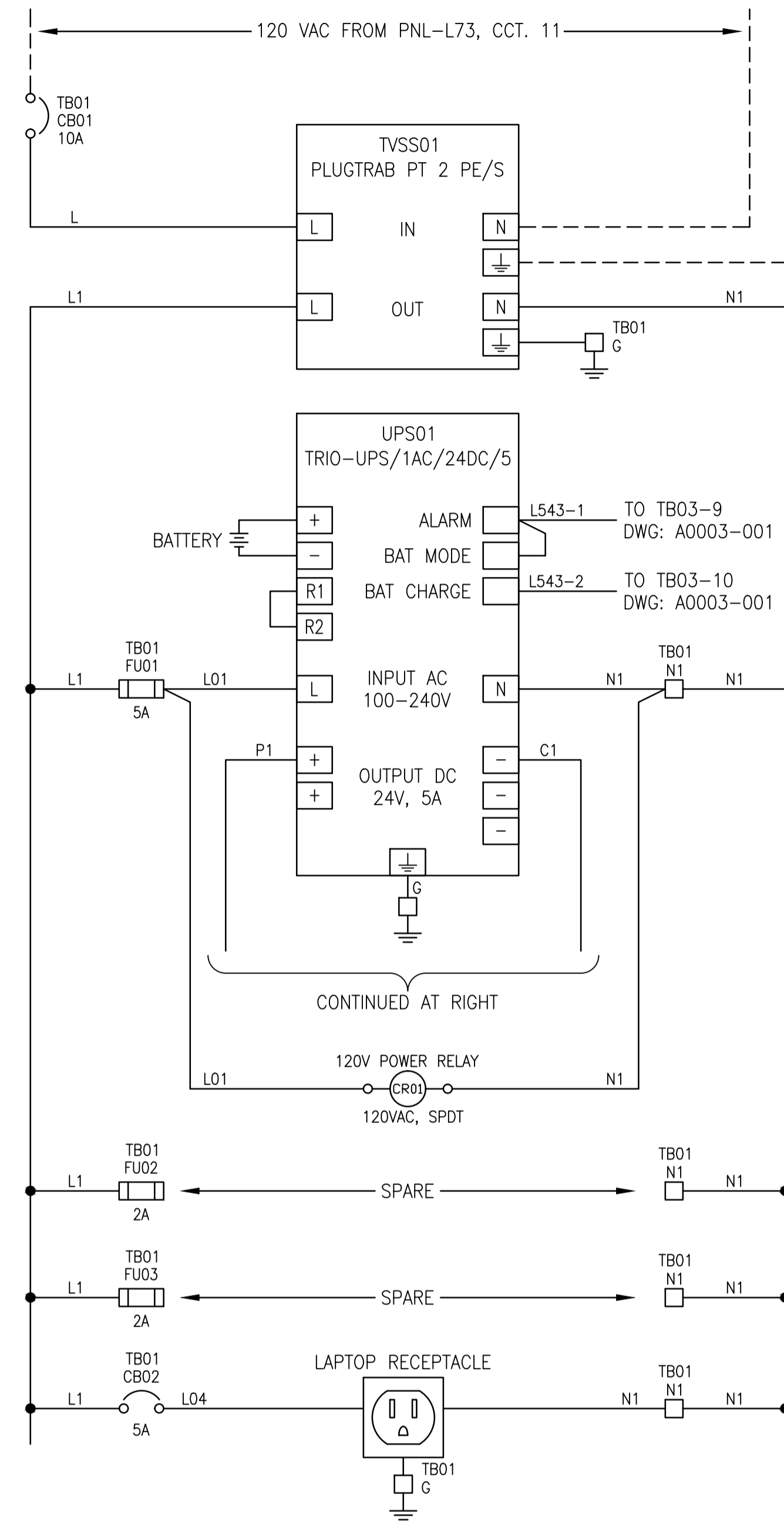
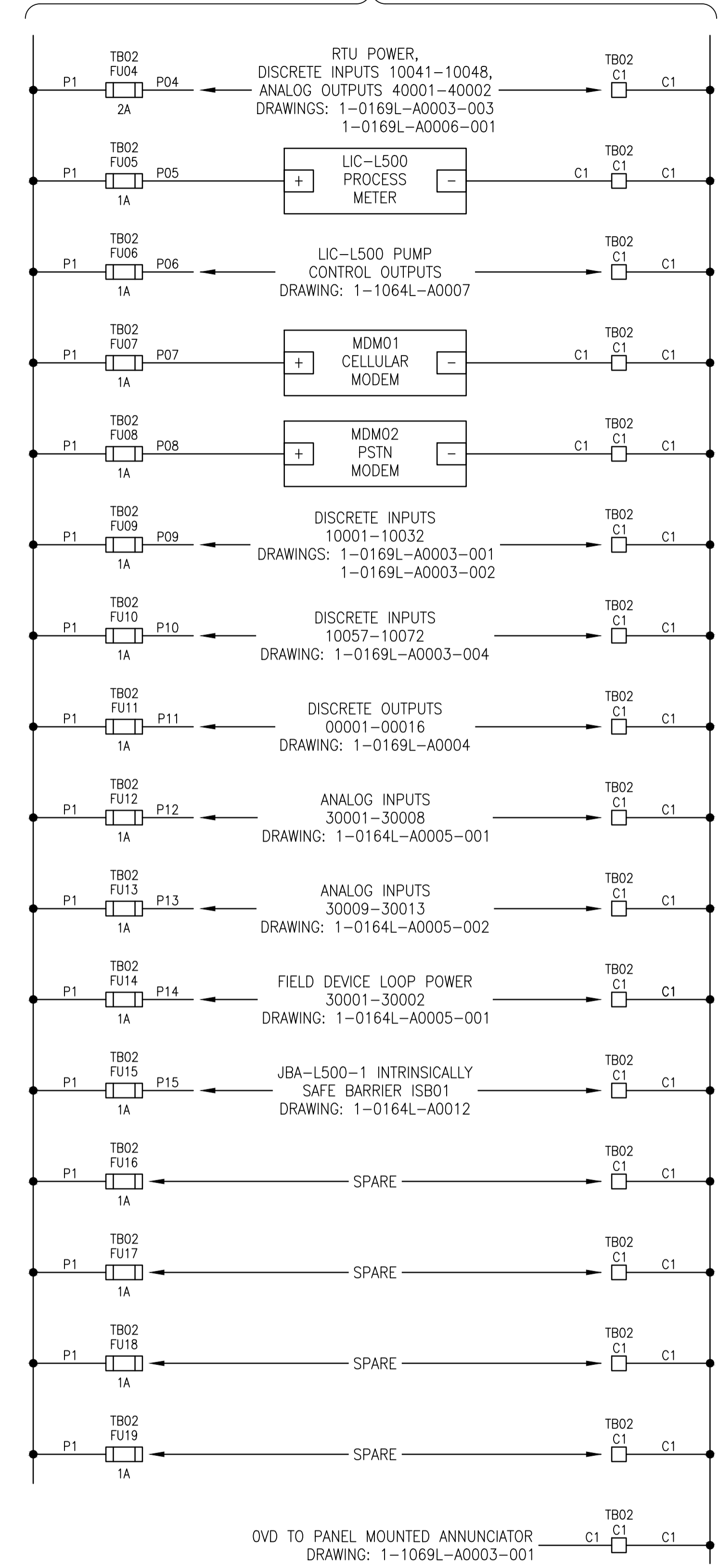


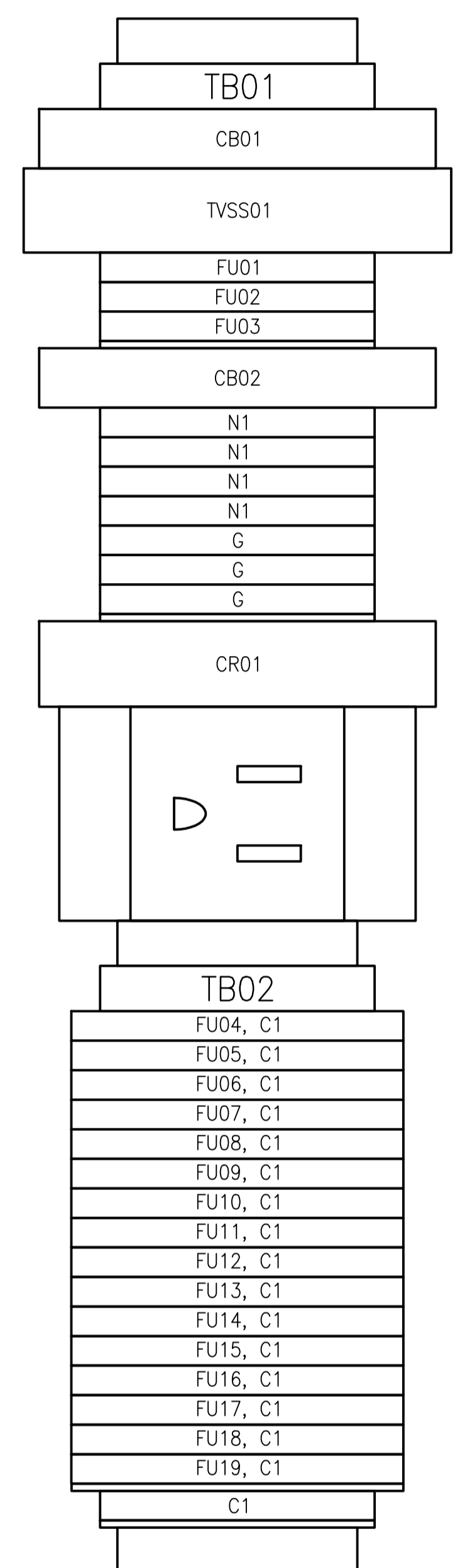
SCHEMATIC:



24VDC FROM UPS01



TERMINAL LAYOUT:



NOTES:

1. ALL 120VAC POWER WIRING TO BE A MINIMUM OF 14 AWG UNLESS OTHERWISE INDICATED.
2. ALL 24VDC POWER WIRING TO BE A MINIMUM OF 12 AWG UNLESS OTHERWISE INDICATED.



DESIGNED BY:	B. CLEVEN	CHECKED BY:	
DRAWN BY:	C. BURZYNSKI	APPROVED BY:	
SCALE:	NTS	ISSUED FOR CONSTRUCTION BY:	
DATE:	2015/08/05	DATE:	
ISSUED FOR TENDER	2015/09/17	DESIGN	BJC
NO.	REVISIONS	DATE	DESIGN/CHECK

SNC-LAVALIN INC.
 148 Nature Park Way
 Winnipeg, MB, Canada R3P 0X7
 204-786-8080

ENGINEER'S SEAL

PRELIMINARY
 NOT TO BE USED FOR CONSTRUCTION

THE CITY OF WINNIPEG
 WATER AND WASTE DEPARTMENT

OLIVE WASTEWATER PUMPING STATION
 2015 UPGRADES
 POWER DISTRIBUTION
 CONTROL PANEL CP-L81

CITY DRAWING NUMBER: 1-0169L-A0002

SHEET: 001 REV: 00 SIZE: A1

DRAWING NUMBER	REFERENCE DRAWINGS
----------------	--------------------