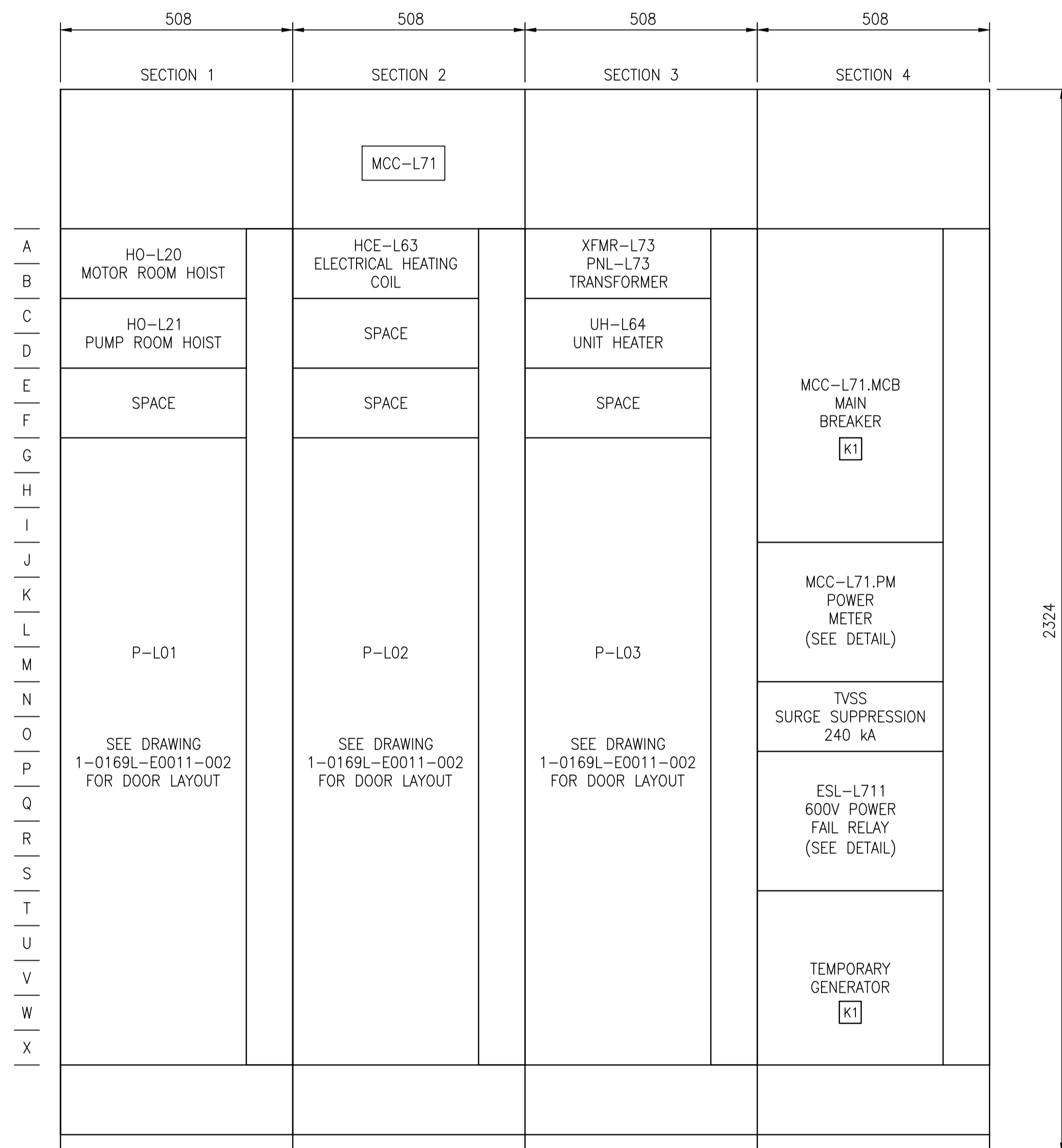


**MCC REQUIREMENTS:**

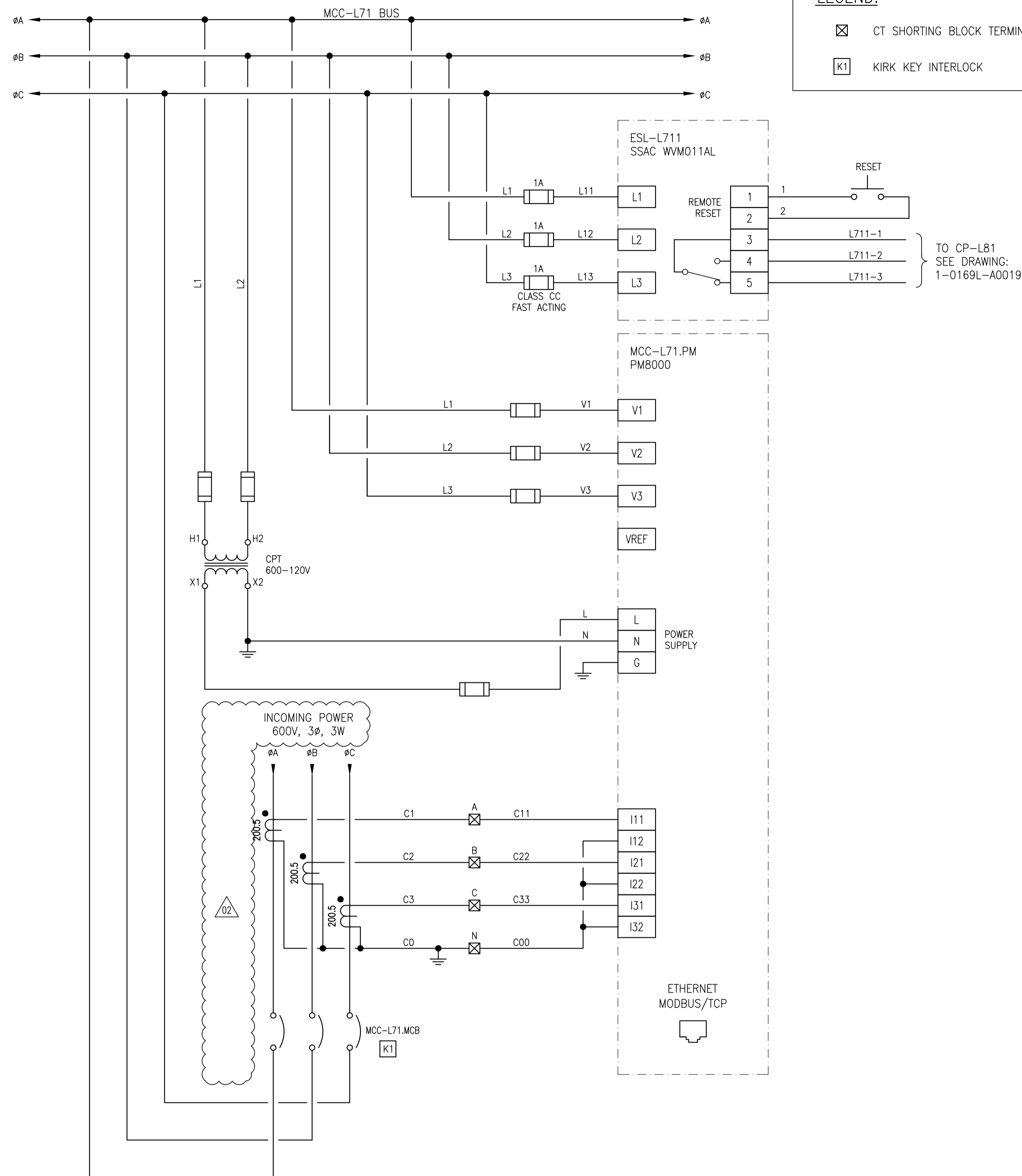
IDENTIFIER: MCC-L71		
ENCLOSURE TYPE: NEMA 1A	MOUNTING: FRONT	DEPTH: 508mm
SUPPLY VOLTAGE: 600V, 3 $\phi$ , 3W, 60HZ	INCOMING NEUTRAL TERMINATION: NO	
CONTROL VOLTAGE: 120V, 60HZ	WIRING: CLASS 1, TYPE B1 OR B1 AS SHOWN ON THE DRAWINGS	
MINIMUM BUS RATING:	HORIZONTAL: 600A	VERTICAL: AS REQ'D
SUITABLE FOR SERVICE ENTRANCE: NO	NEUTRAL BUS: NO	
BUS BRACING: 42ka	SCCR: 14KA MINIMUM	SERIES SCCR PERMITTED: NO
BUS MATERIAL: TIN PLATED COPPER		
MANUFACTURER: SCHNEIDER ELECTRIC		
MODEL: MODEL 6		



**MCC-L71 ELEVATION**  
SCALE: 1:8

**NOTES:**

- COMPLETE ASSEMBLY TO HAVE A SHORT CIRCUIT CURRENT RATING OF 14KA OR HIGHER.
- PROVIDE KIRK KEY INTERLOCK BETWEEN MAIN BREAKER AND TEMPORARY GENERATOR BREAKER.
- PROVIDE HOUSEKEEPING PAD BENEATH THE MCC. PAD TO BE 100mm HIGH, EXTEND 150mm ON EACH SIDE, AND 50mm IN FRONT OF THE EQUIPMENT, WITH 19mm CHAMFERED EDGES. ROUGHEN SURFACE AND APPLY BONDING AGENT. PROVIDE 10M REINFORCEMENT AT 300mm SPACING. ANCHOR PAD TO THE FLOOR SLAB WITH 10M REBAR HOOKS AT 300mm SPACING, DOWELLED TO THE EXISTING CONCRETE WITH HILTI ADHESIVE.



**DETAIL: MCC-L71 POWER METER AND VOLTAGE MONITOR**  
SCALE: NTS

1-0169L-E0002	SINGLE LINE DIAGRAM
DRAWING NUMBER	REFERENCE DRAWINGS

NO.	REVISIONS	DATE	DESIGN	CHECK
02	REMOVED NEUTRAL FROM MCC-L71	2015/10/08	BJC	-
01	REVISED MCC-L71 STARTER DOOR	2015/09/22	BJC	-
00	ISSUED FOR TENDER	2015/09/17	BJC	-

<p>SNC-LAVALIN INC. 148 Nature Park Way Winnipeg, MB, Canada R3P 0X7 204-786-8080</p>	
DESIGNED BY: B. CLEVEN	CHECKED BY:
DRAWN BY: C. BURZYNSKI	APPROVED BY:
SCALE: AS SHOWN	ISSUED FOR CONSTRUCTION BY:
DATE: 2015/06/11	DATE:
CONSULTANT NO.:	

ENGINEER'S SEAL  
**PRELIMINARY**  
**NOT TO BE USED FOR CONSTRUCTION**

**THE CITY OF WINNIPEG**  
WATER AND WASTE DEPARTMENT

OLIVE WASTEWATER PUMPING STATION  
2015 UPGRADES  
MCC ELEVATION AND DETAILS  
MCC-L71

CITY DRAWING NUMBER: 1-0169L-E0011 | SHEET: 001 | REV: 02 | SIZE: A1