

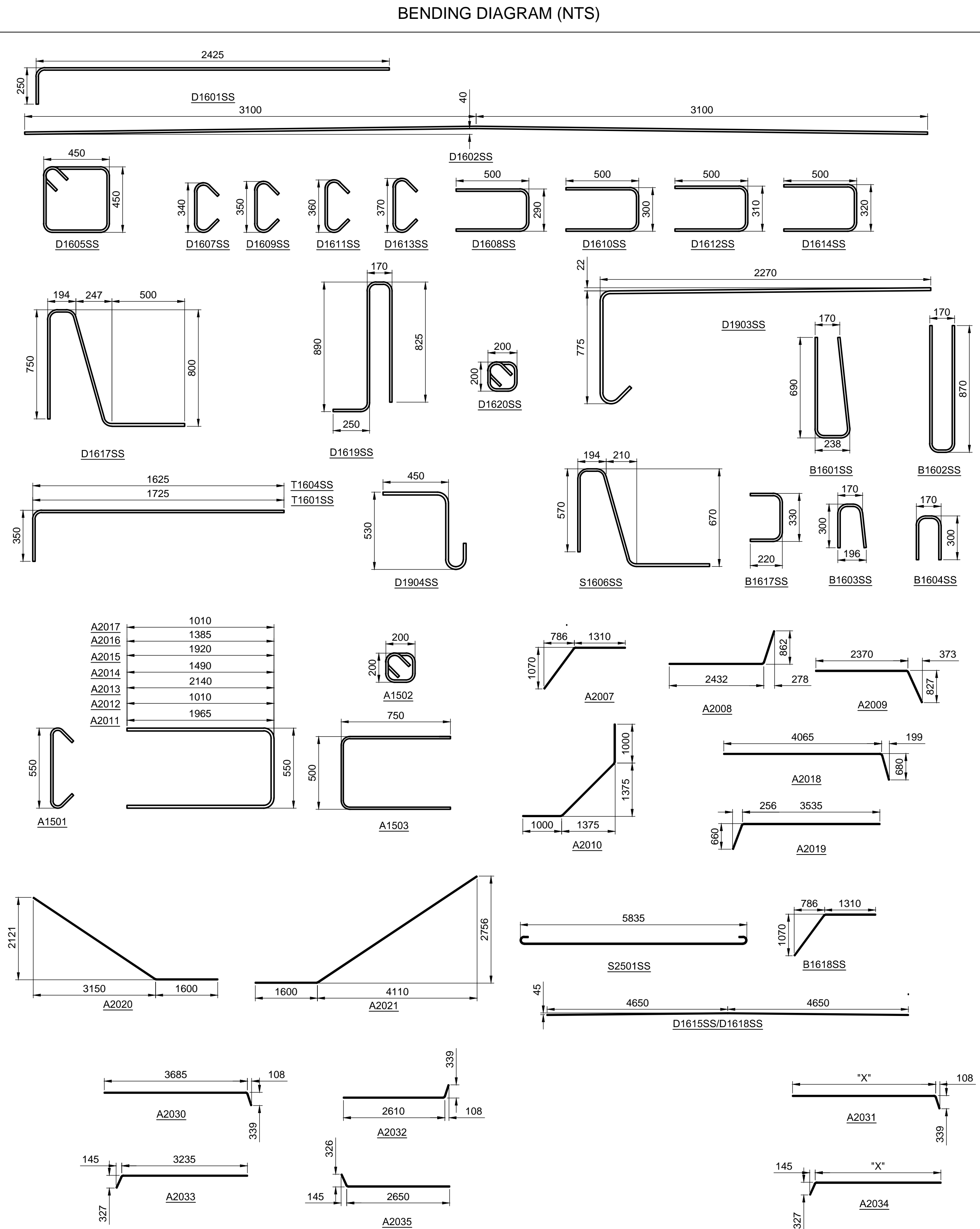
FILE NAME: W150005-DWG-BRIDGE.dwg Saved By: djane PLOT: 10/23/2015 11:00:09 AM A1 SIZE 841mm x 841mm

BILL OF REINFORCING STEEL (BLACK STEEL & STAINLESS STEEL)

FOR ABUTMENTS, WINGWALLS AND RETAINING WALLS (A), DECK SLAB (D), APPROACH SLABS (S), CONCRETE BARRIERS (B), REINFORCED CONCRETE CURBS (C), AND REINFORCED CONCRETE SIDEWALK (T)

Table with columns: MARK, TYPE, PIN DIAMETER, LENGTH (mm), NO. BARS, MASS. Lists items from A1501 to A2035 and BENT items, including a total mass of 8323.99 kg for black steel.

Table with columns: MARK, TYPE, PIN DIAMETER, LENGTH (mm), NO. BARS, MASS. Lists items from D1601SS to S2501SS and C1601SS, including a total mass of 21332.48 kg for stainless steel.



TOTAL REINFORCING STEEL MASS - STAINLESS STEEL (kg): 21332.48

- NOTES: 1. ALL DIMENSIONS GIVEN IN BENDING DIAGRAM ARE OUT-TO-OUT... 2. ALL REINFORCING STEEL SHALL BE DEFORMED STEEL... 3. ALL REINFORCING WITH SUFFIX 'SS' SHALL BE STAINLESS STEEL... 4. ALL REINFORCING STEEL SHALL CONFORM TO THE LATEST EDITION OF CAN/CSA G30.18... 5. LIKE BARS SHALL BE BUNDLED... 6. UNLESS OTHERWISE NOTED DIAMETER 'D' IS THE SAME ALL HOOKS AND BENDS ON A BAR...

LOCATION APPROVED UNDERGROUND STRUCTURES. APEGM Certificate of Authorization MORRISON HERSHFIELD No. 1736. METRIC WHOLE NUMBERS INDICATE MILLIMETRES...

Table with columns: NO., ISSUED FOR TENDER, REVISIONS, DATE, BY. Includes a table for revisions.

MORRISON HERSHFIELD logo and design information: DESIGNED BY DAN, CHECKED BY SAL, DRAWN BY DML, APPROVED BY BE. DATE 15/04/24.

PROFESSIONAL'S SEAL: D.A. NEILSON ORIGINAL SIGNED 15/10/22 37248. CONSULTANT DRAWING No. W150005-DWG-BRIDGE.dwg

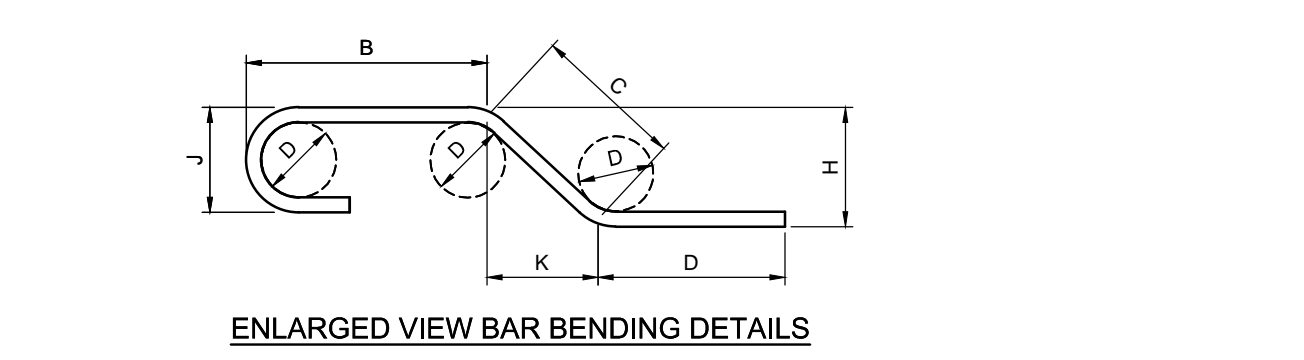
BILL OF MATERIALS - BRIDGE ALUMINUM BARRIER RAIL. Table with columns: ITEM, NO. Lists items like SS ANCHOR BOLTS, TRAFFIC BARRIER RAIL POSTS, RAIL POST SHIMS, RAIL CLAMP BARS, RAIL END SECTION, 5460 RAIL, 3520 RAIL, 9385 RAIL, 3540 RAIL, 3115 RAIL, 10185 RAIL, END CAPS, SPLICE BARS, CAP SCREWS.

NOTE: BRIDGE ALUMINUM BARRIER RAIL QUANTITIES SHOWN ARE TOTAL FOR BOTH SIDES OF BRIDGE. REFER TO SHEET 14 FOR RAIL LAYOUT.

BILL OF MISCELLANEOUS METAL. Table with columns: MARK, NO., DESCRIPTION, SIZE, COMPONENT MASS (kg), MASS PER UNIT (kg), TOTAL MASS (kg). Lists items like 250 X 550 LONG PLAIN GALVANIZED BAR, 320 X 300 LONG GALVANIZED EXPANSION SLEEVE, 400 X 550 LONG PLAIN GALVANIZED BAR, HSS 76X51X4.8 X 300 LONG GALVANIZED, 510 X 450 LONG SS ANCHOR ROD.

BEARING PAD SCHEDULE. Table with columns: MARK, NO., DESCRIPTION, SIZE. Lists items like NATURAL RUBBER BEARING PAD 55 DURO HARDNESS.

Table with columns: MARK, DIMENSION 'X'. Lists dimensions for items A2031 and A2034.



THE CITY OF WINNIPEG PUBLIC WORKS DEPARTMENT ENGINEERING DIVISION. SASKATCHEWAN AVENUE AT OMAND'S CREEK BRIDGE REPLACEMENT. BILL OF STEEL REINFORCEMENT & BILL OF MATERIALS. CITY DRAWING NUMBER B144-16-18. SHEET 18 OF 18. DRAWING No. 18. REV 0.