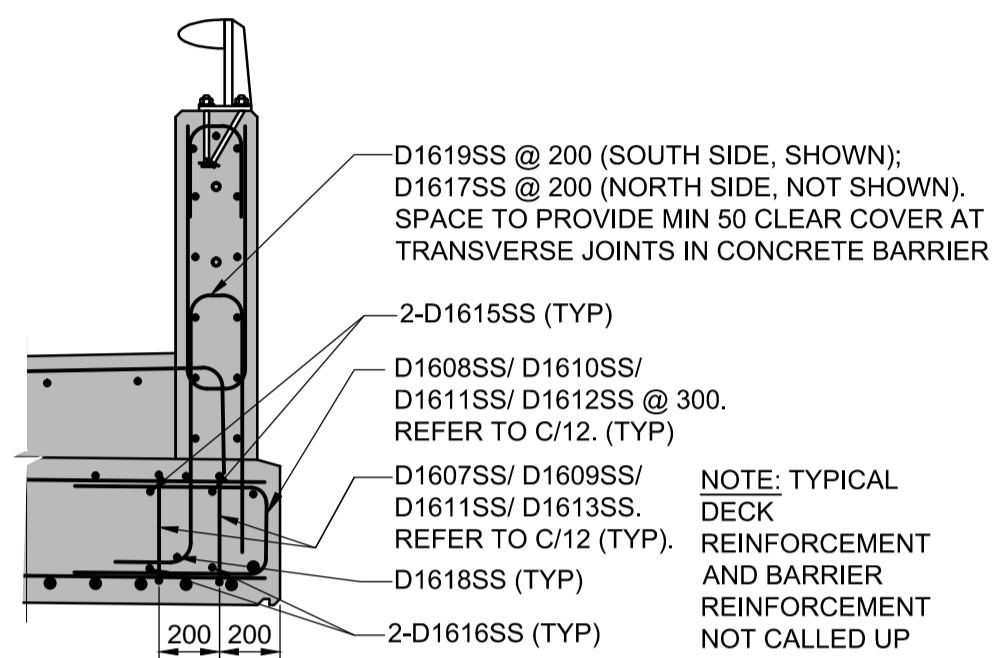
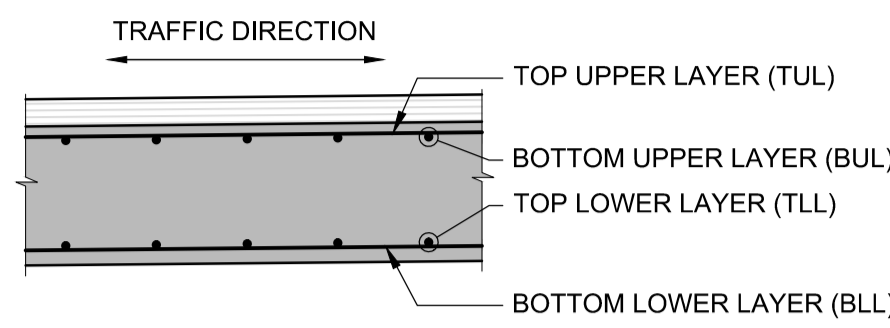


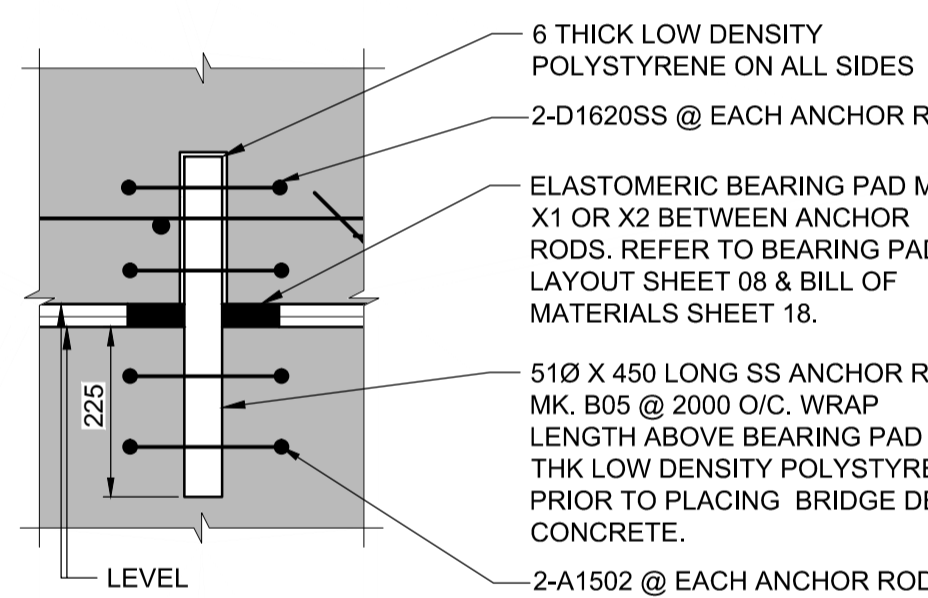
SYMBOLS FOR REINFORCING PLAN

- TOP REINFORCING BAR
- BOTTOM REINFORCING BAR

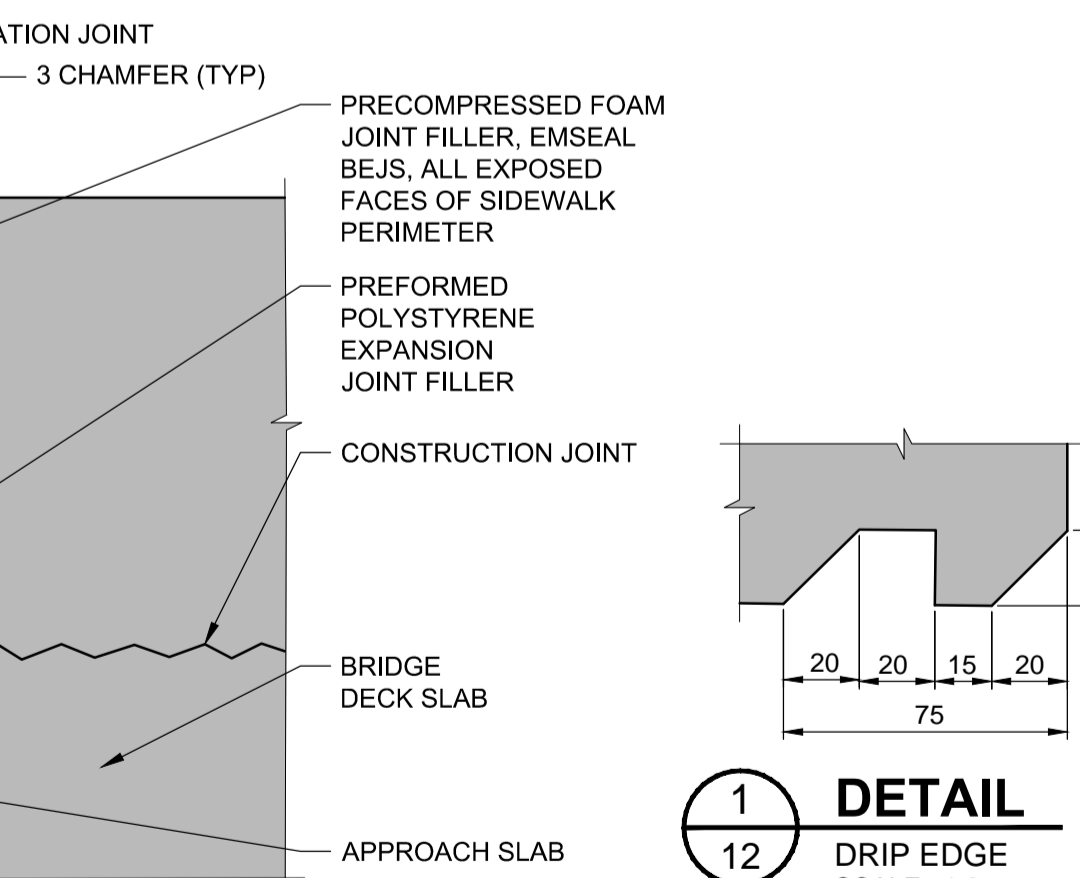
BRIDGE DECK SLAB & APPROACH SLAB REBAR LAYERS



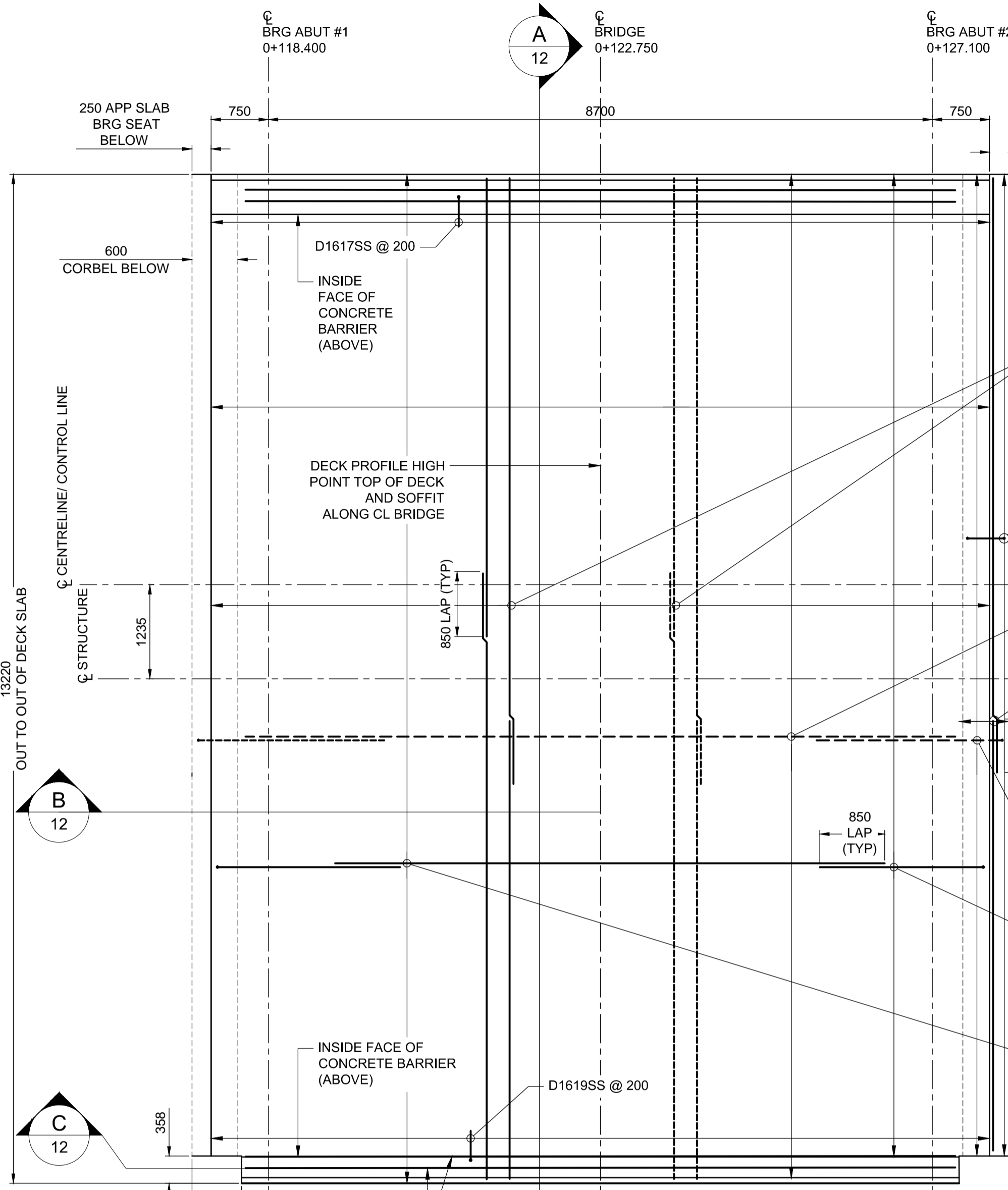
4 SECTION
BRIDGE DECK SLAB FREE EDGE REINFORCEMENT
SCALE: 1:50



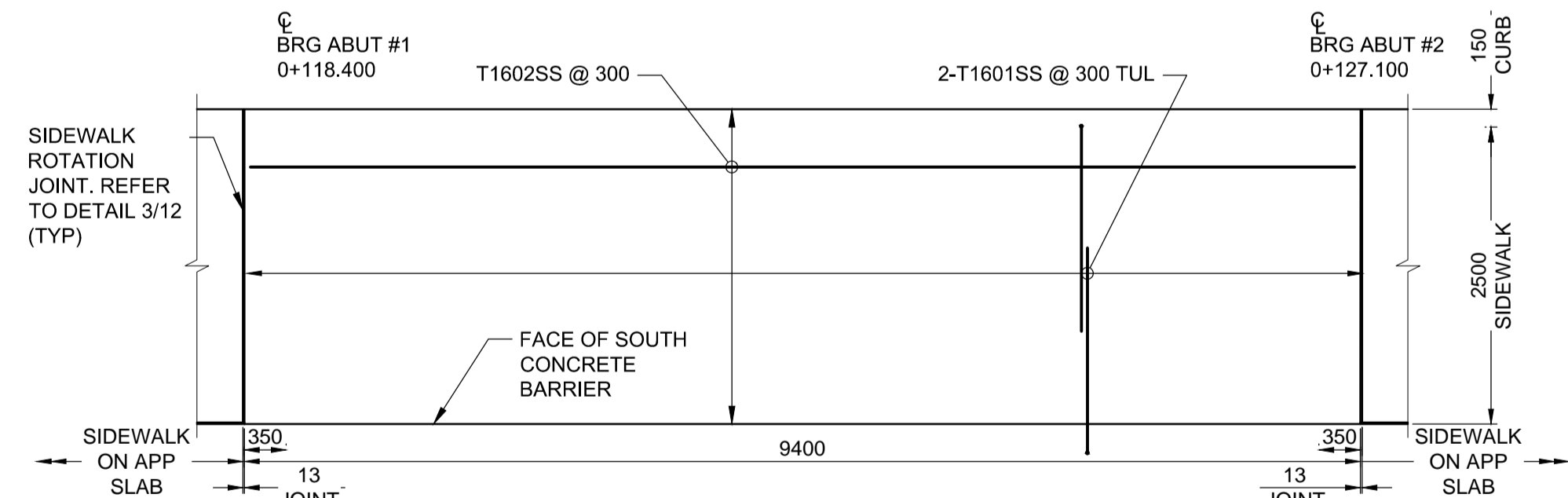
2 DETAIL
BEARING PAD AND ANCHOR RODS
SCALE: 1:10



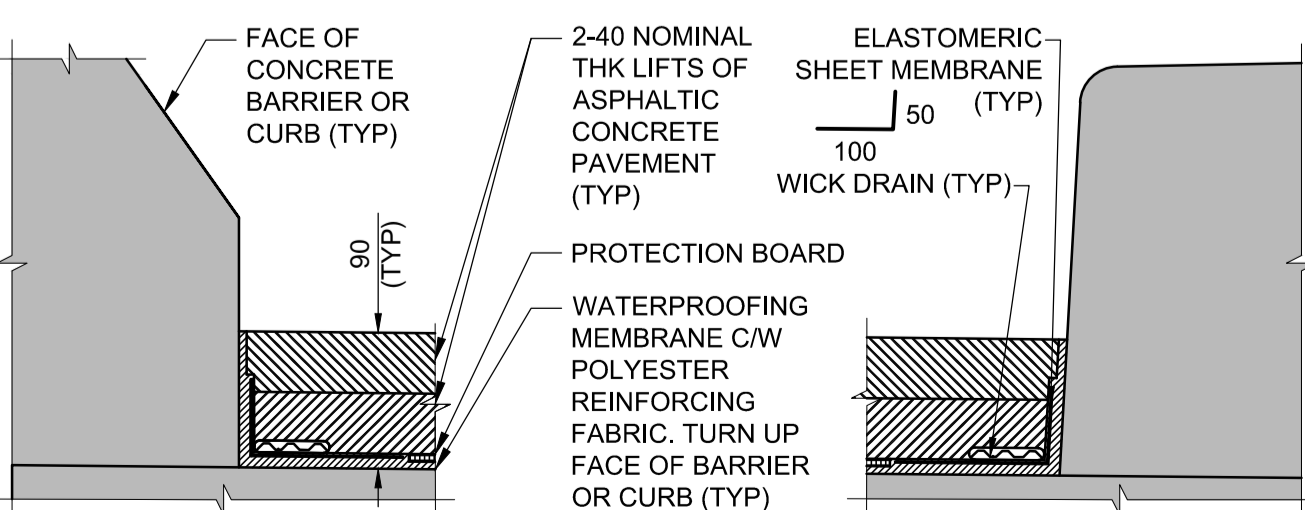
1 DETAIL
DRIP EDGE
SCALE: 1:2



PLAN - BRIDGE DECK SLAB
SCALE: 1:50



PLAN - SIDEWALK ON BRIDGE DECK
SCALE: 1:50



4 DETAIL
BRIDGE DECK PROTECTION SYSTEM
SCALE: 1:5

NOTE: EXTEND WICK DRAINS FULL LENGTH OF BRIDGE DECK, INTO 500 PVC OUTLET PIPES AT APPROACH SLABS. REFER TO PLAN SHEET 13 FOR LOCATIONS.



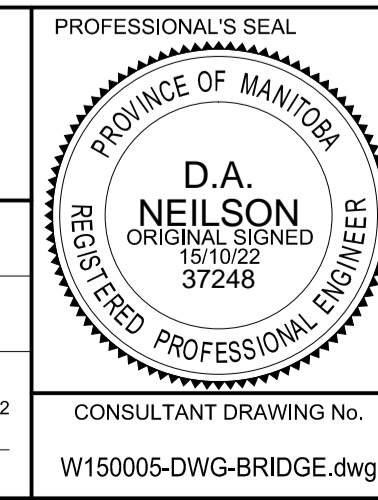
METRIC
WHOLE NUMBERS INDICATE MILLIMETRES
DECIMALIZED NUMBERS INDICATE METRES

LOCATION APPROVED
UNDERGROUND STRUCTURES

SUPR. U/G STRUCTURES COMMITTEE DATE
NOTE: LOCATION OF UNDERGROUND STRUCTURES AS SHOWN ARE BASED ON THE BEST INFORMATION AVAILABLE BUT NO GUARANTEE IS GIVEN THAT ALL EXISTING UTILITIES ARE SHOWN OR THAT THE GIVEN LOCATIONS ARE EXACT. CONFIRMATION OF EXISTENCE AND EXACT LOCATION OF ALL SERVICES MUST BE OBTAINED FROM THE INDIVIDUAL UTILITIES BEFORE PROCEEDING WITH CONSTRUCTION.

No.	ISSUED FOR TENDER	DATE	BY
0	ISSUED FOR TENDER	15/10/22	DAN
	REVISIONS	YYMMDD	BY

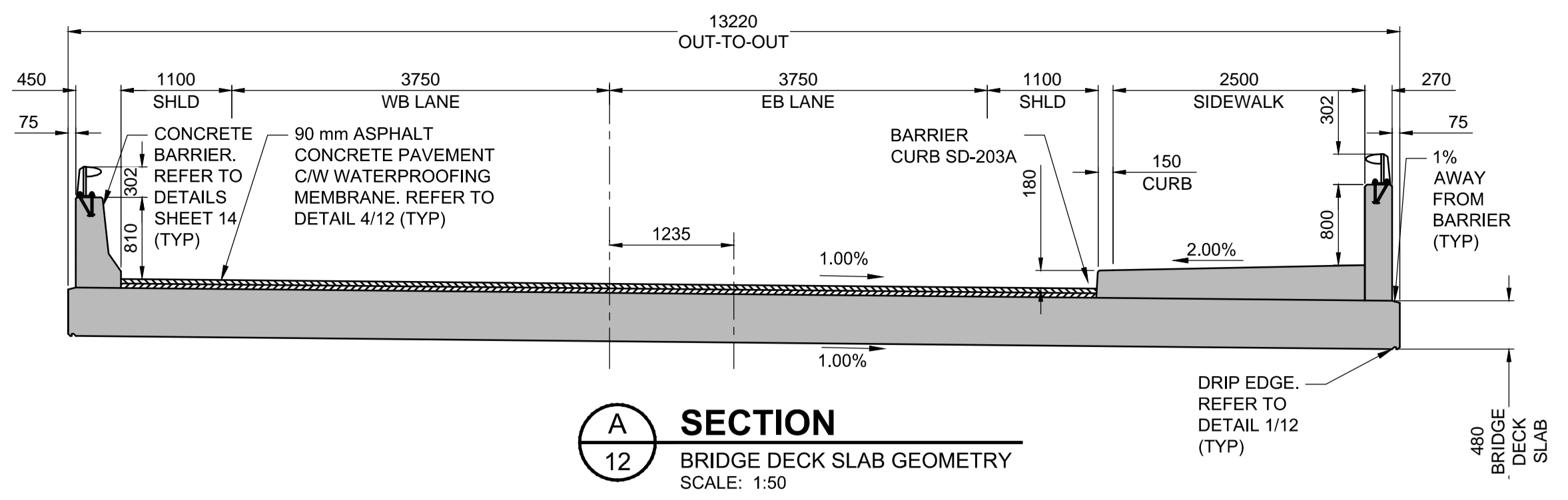
DESIGNED BY	CHECKED BY	DATE
DAN	SAL	15/10/22
DRAWN BY	APPROVED BY	DATE
DML	BE	15/04/24



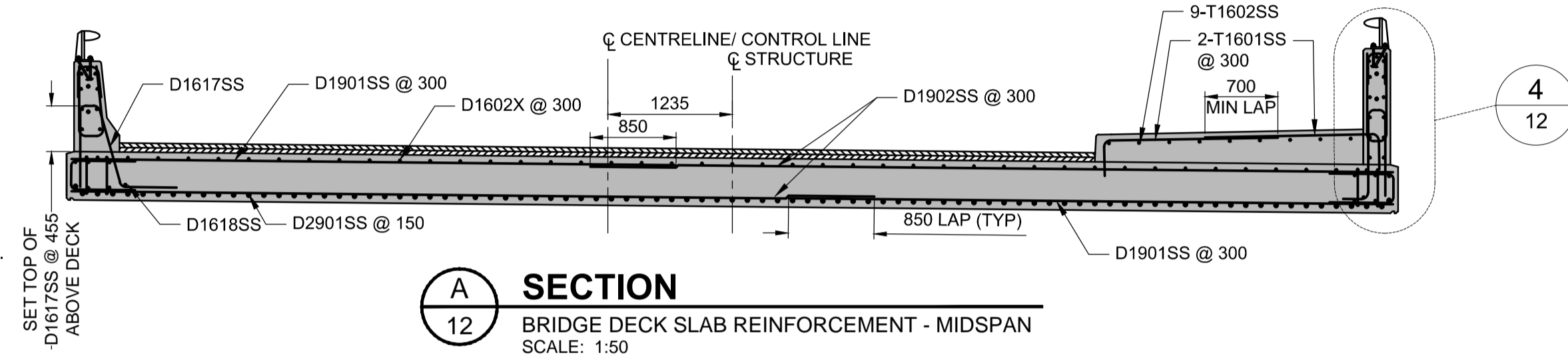
THE CITY OF WINNIPEG
PUBLIC WORKS DEPARTMENT
ENGINEERING DIVISION

SASKATCHEWAN AVENUE AT OMAND'S CREEK BRIDGE REPLACEMENT

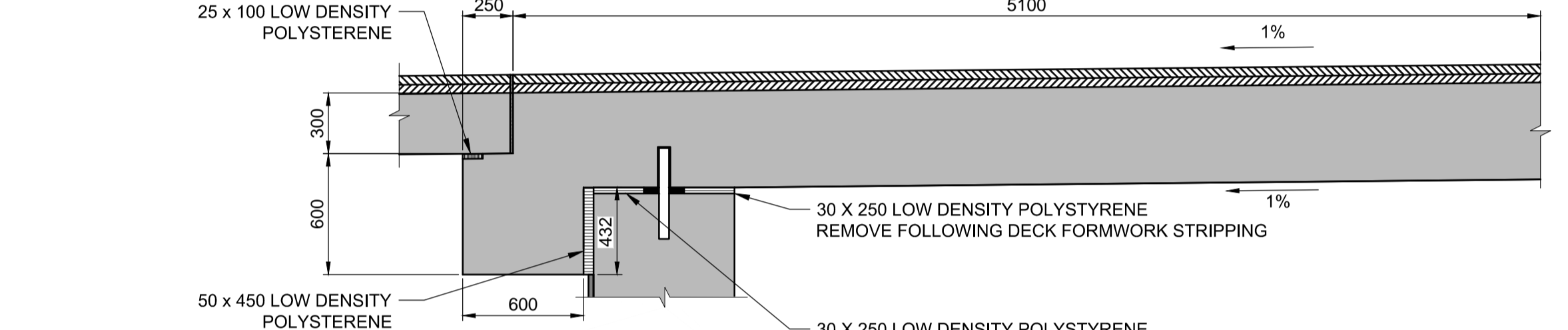
CITY DRAWING NUMBER: B144-16-12
SHEET 12 OF 18
DRAWING No. 12
REV 0



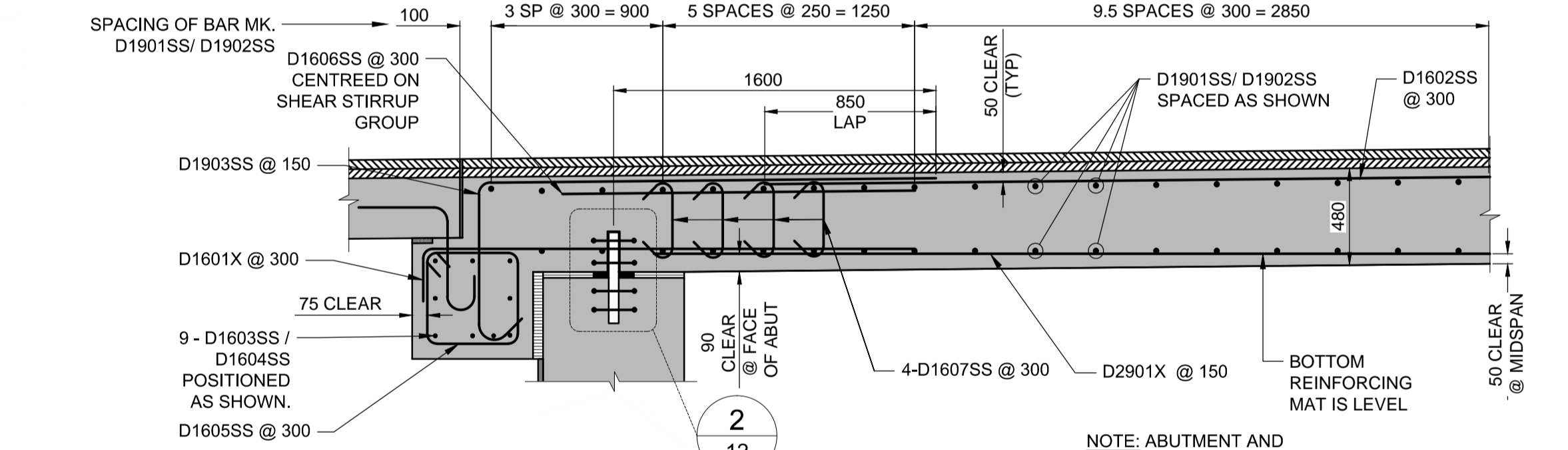
A SECTION
BRIDGE DECK SLAB GEOMETRY
SCALE: 1:50



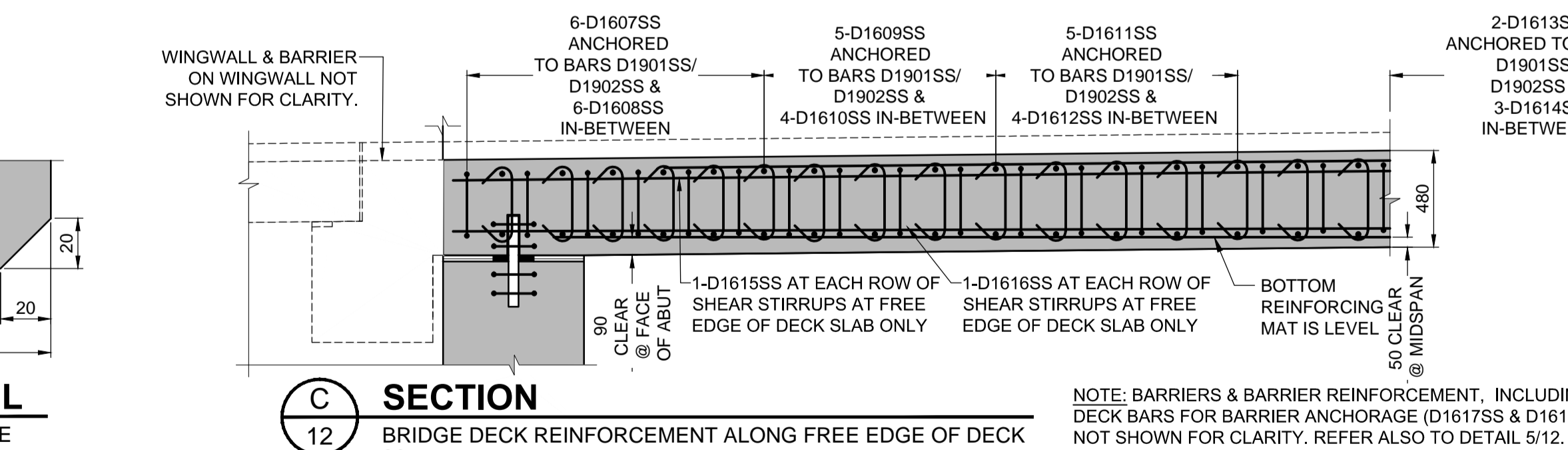
12 SECTION
BRIDGE DECK SLAB REINFORCEMENT - MIDSPAN
SCALE: 1:50



B SECTION
BRIDGE DECK SLAB GEOMETRY
SCALE: 1:25



B SECTION
BRIDGE DECK SLAB REINFORCEMENT
SCALE: 1:25



C SECTION
BRIDGE DECK REINFORCEMENT ALONG FREE EDGE OF DECK
SCALE: 1:25

NOTE: ABUTMENT AND APPROACH SLAB REINFORCING NOT SHOWN FOR CLARITY

NOTE: BARRIERS & BARRIER REINFORCEMENT, INCLUDING DECK BARS FOR BARRIER ANCHORAGE (D1617SS & D1618SS), NOT SHOWN FOR CLARITY. REFER ALSO TO DETAIL 5/12.

BAR COUNT SHOWN IS FOR ONE ROW OF STIRRUPS.