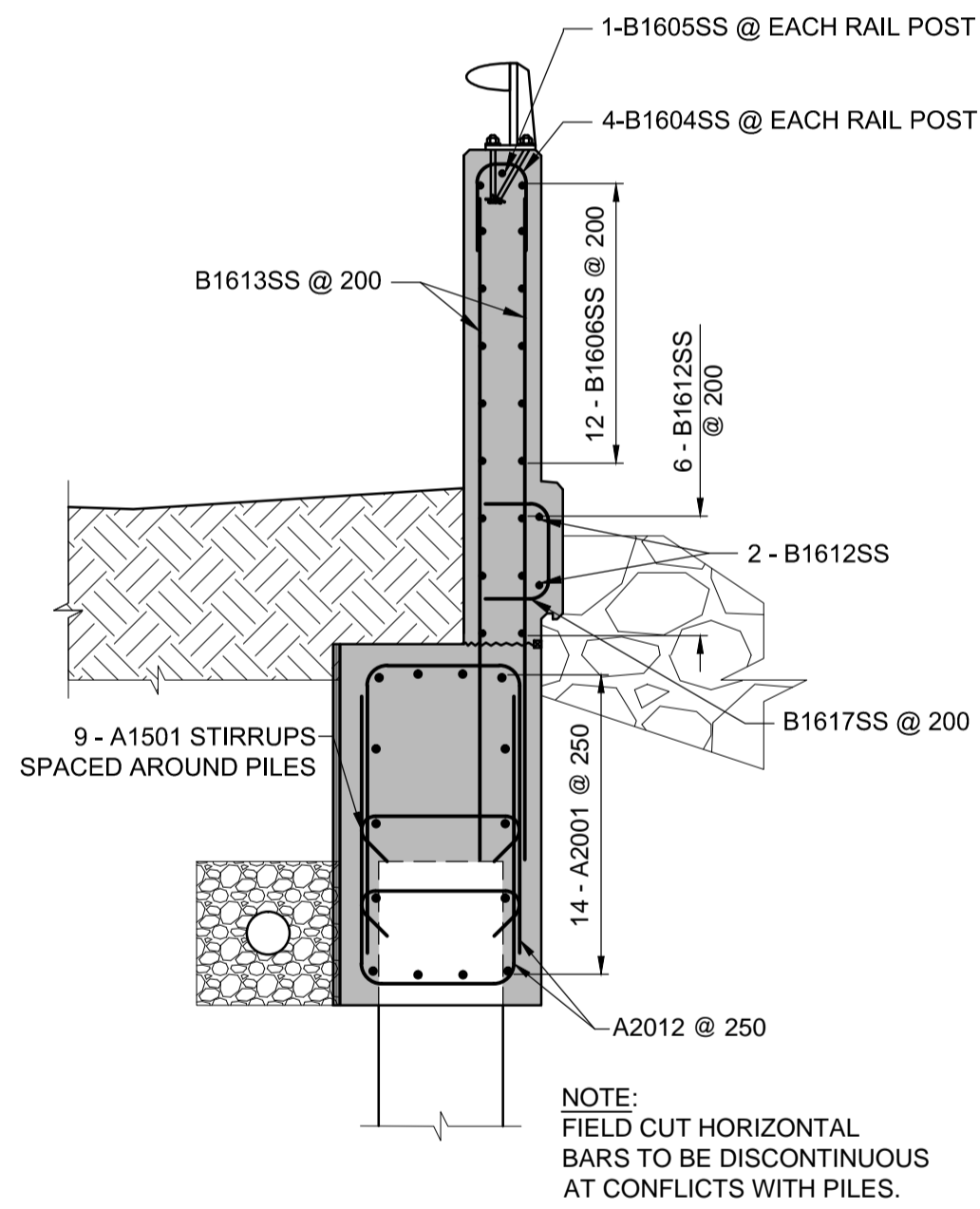
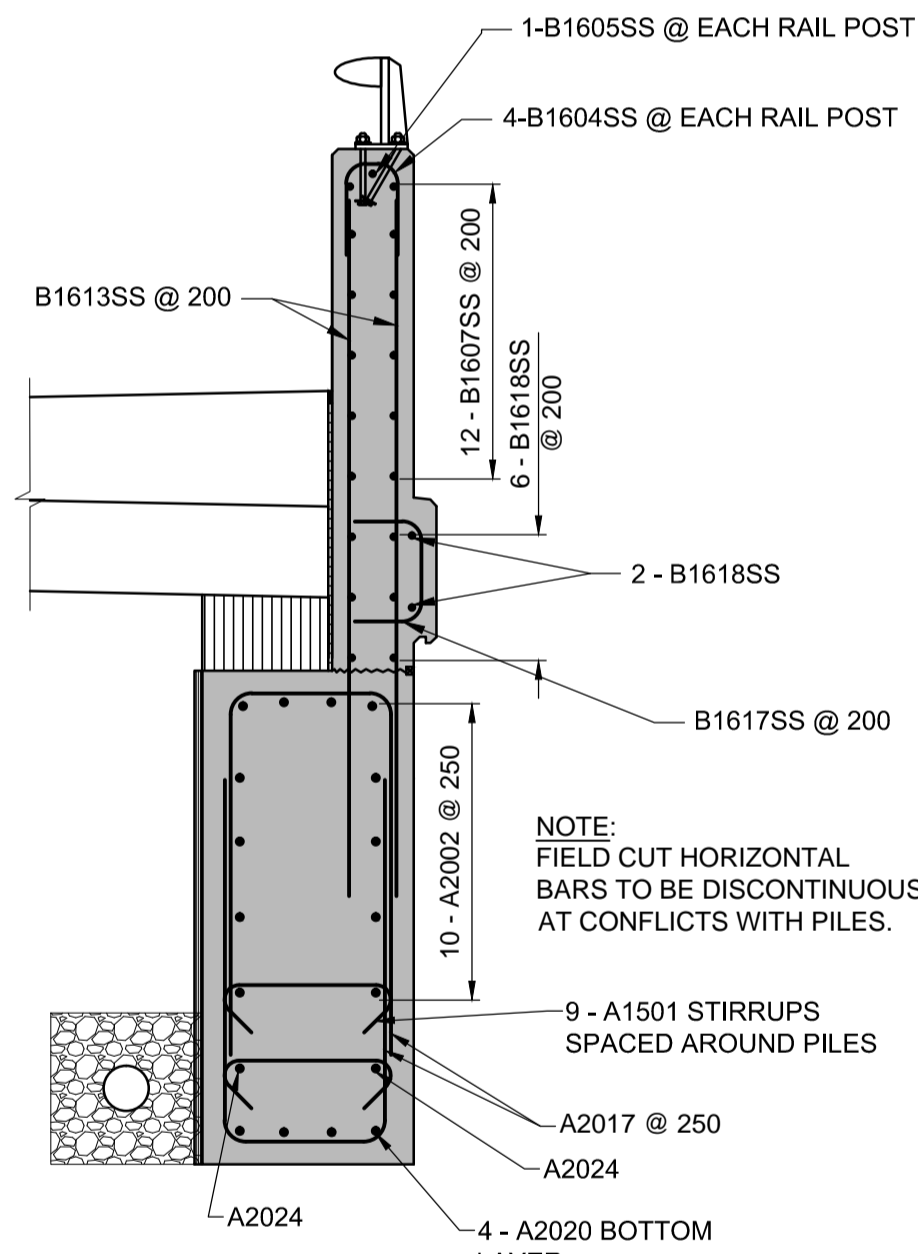


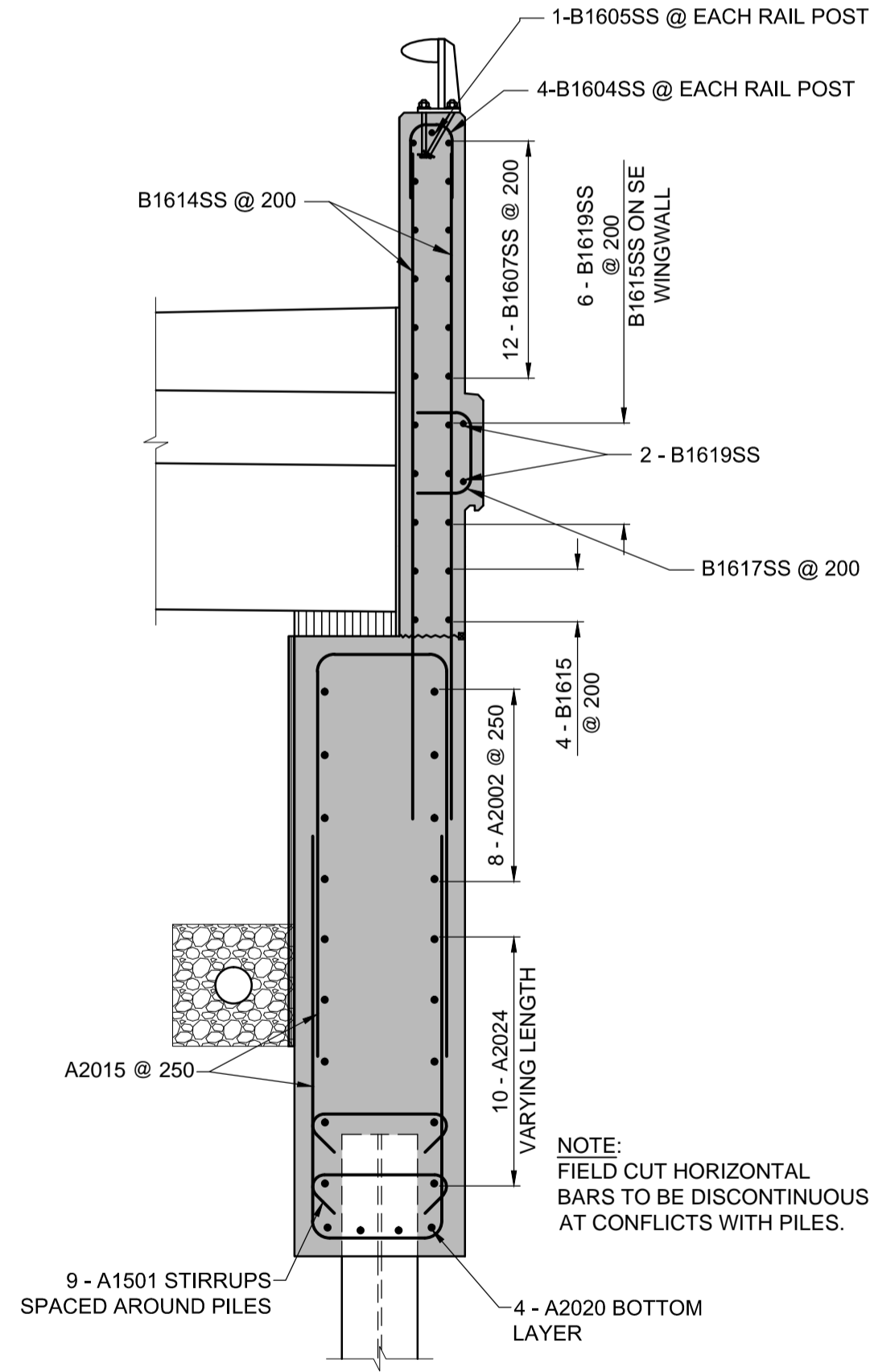
**A**  
11 **SW & SE WINGWALL ELEVATION**  
LOOKING NORTH - REINFORCEMENT  
SCALE: 1:50



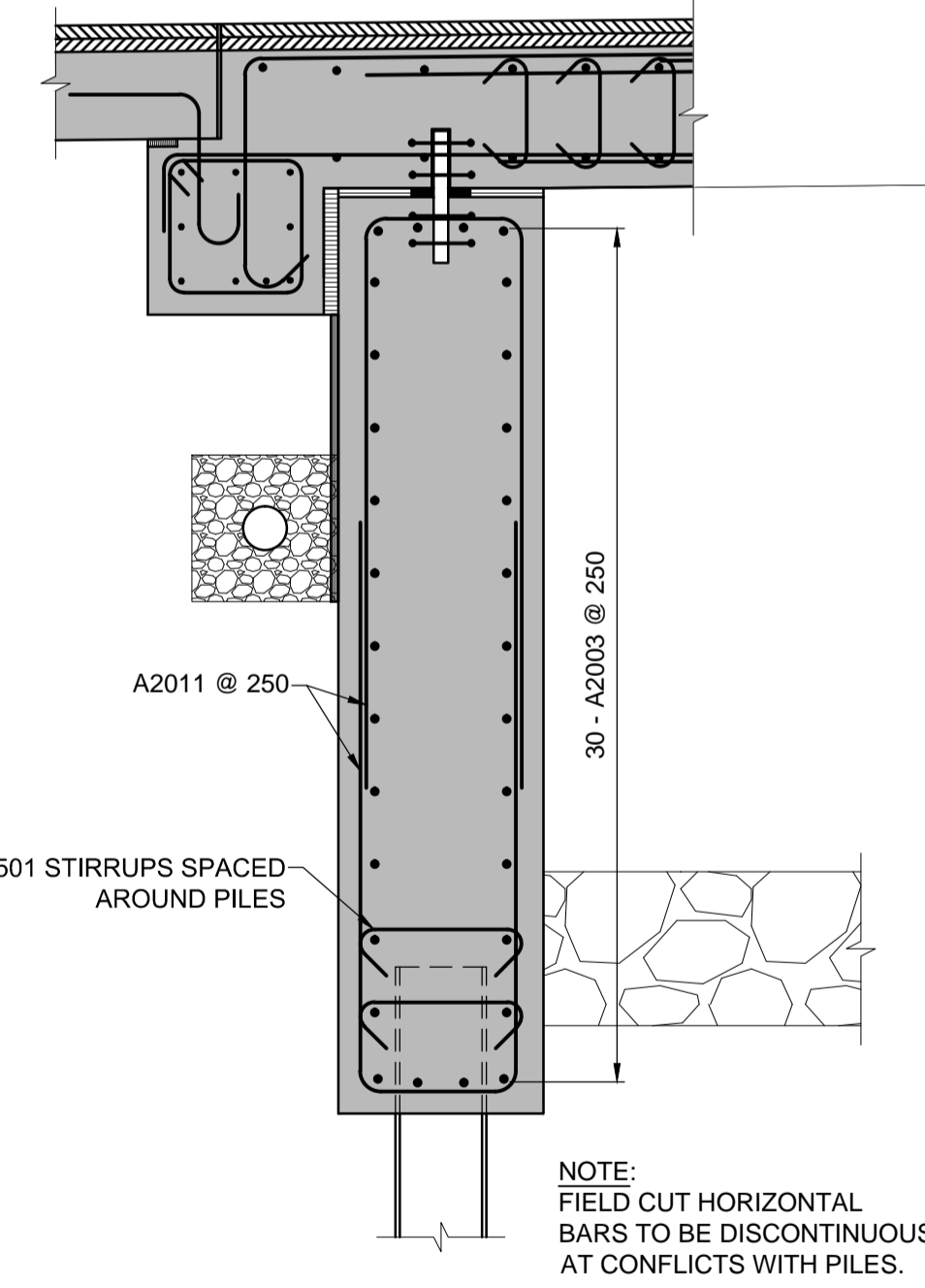
**B**  
11 **SECTION**  
SW RETAINING WALL  
SCALE: 1:25



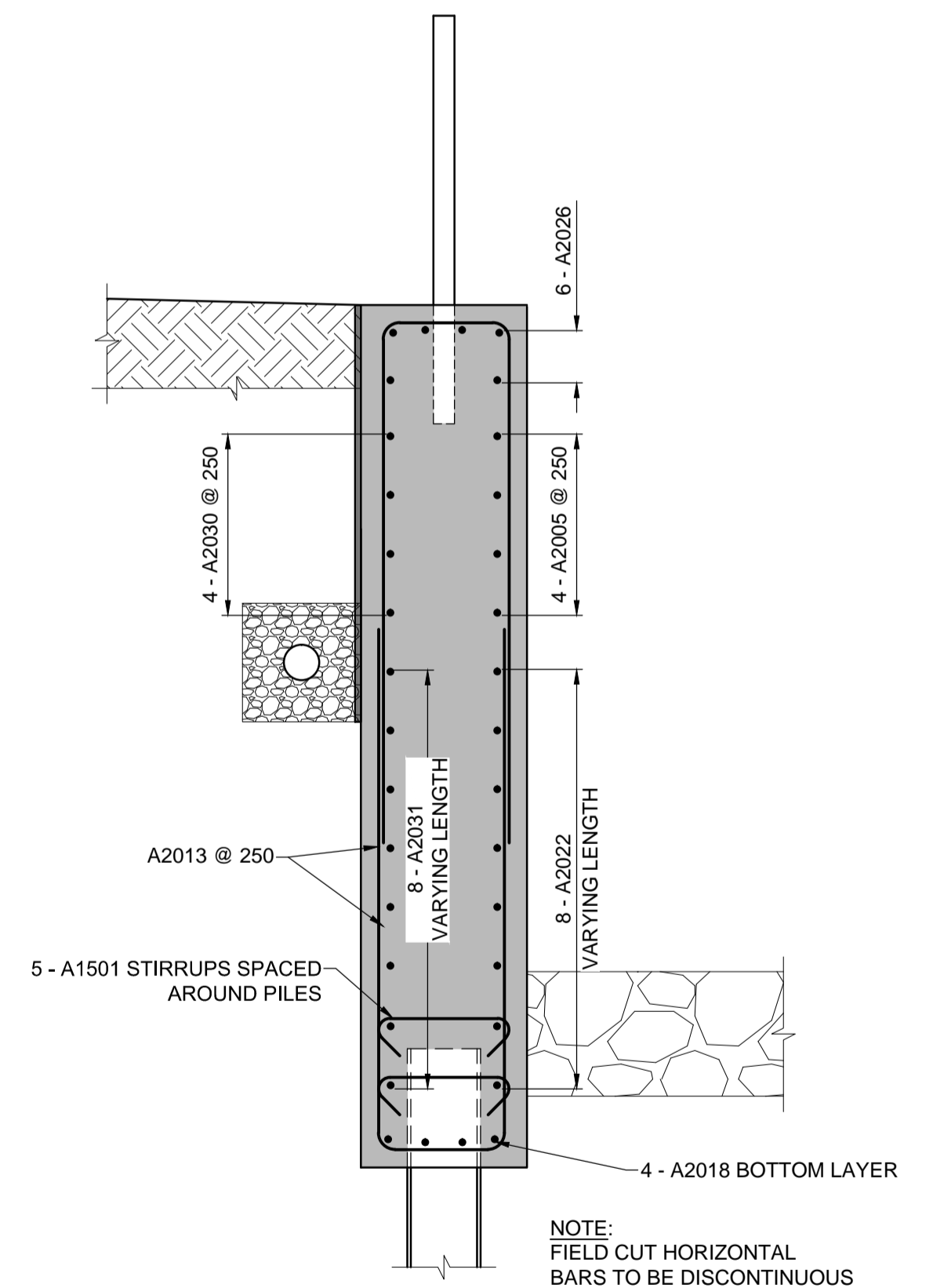
**C**  
11 **SECTION**  
SW WINGWALL, SE WINGWALL SIMILAR  
SCALE: 1:25



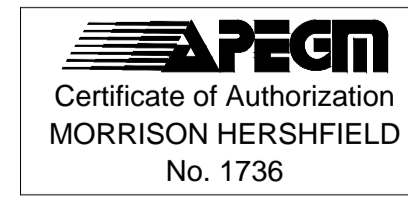
**D**  
11 **SECTION**  
SW WINGWALL, SE WINGWALL SIMILAR  
SCALE: 1:25



**E**  
11 **SECTION**  
ABUTMENT & SEMI-INTEGRAL BRIDGE DECK  
SCALE: 1:25



**F**  
11 **SECTION**  
NW RETAINING WALL, NE RETAINING WALL SIMILAR  
SCALE: 1:25



**METRIC**  
WHOLE NUMBERS INDICATE MILLIMETRES  
DECIMALIZED NUMBERS INDICATE METRES

LOCATION APPROVED UNDERGROUND STRUCTURES	
SUPR. U/G STRUCTURES COMMITTEE	DATE
NOTE: LOCATION OF UNDERGROUND STRUCTURES AS SHOWN ARE BASED ON THE BEST INFORMATION AVAILABLE BUT NO GUARANTEE IS GIVEN THAT ALL EXISTING UTILITIES ARE SHOWN OR THAT THE GIVEN LOCATIONS ARE EXACT. CONFIRMATION OF EXISTENCE AND EXACT LOCATION OF ALL SERVICES MUST BE OBTAINED FROM THE INDIVIDUAL UTILITIES BEFORE PROCEEDING WITH CONSTRUCTION.	

NO.	ISSUED FOR TENDER	DATE	BY
0	ISSUED FOR TENDER	15/10/22	DAN
No.	REVISIONS	YYMMDD	BY

<b>MORRISON HERSHFIELD</b>	
DESIGNED BY: DAN	CHECKED BY: SAL
DRAWN BY: DML	APPROVED BY: BE
HOR. SCALE: AS SHOWN	DATE: 15/10/22
VERT. SCALE: AS SHOWN	ACCEPTED BY: D.N. BURMEY, P.ENG.
DATE: 15/04/24	BRIDGE PROJECTS ENGINEER

PROFESSIONAL'S SEAL  
  
 CONSULTANT DRAWING No. W150005-DWG-BRIDGE.dwg

**THE CITY OF WINNIPEG**  
 PUBLIC WORKS DEPARTMENT  
 ENGINEERING DIVISION

**SASKATCHEWAN AVENUE AT OMAND'S CREEK BRIDGE REPLACEMENT**

SUBSTRUCTURE IV

CITY DRAWING NUMBER	B144-16-11
SHEET	11 OF 18
DRAWING No.	REV
<b>11</b>	<b>0</b>