

**ROOM FINISH SCHEDULE**

ROOM NO	ROOM NAME	FLOOR FINISH	WALL BASE	WALL						CEILING		REMARKS		
				NORTH	SOUTH	WEST	EAST	MAT	FIN	MAT	FIN			
01	Open Work Stations	RSF1-A,B	RWB1-A	GWB	PT	GWB	PT	GWB	PT	GWB	PT	ACT	N/A	
02	Administration	RSF1-A,B	RWB1-A	GWB	PT	GWB	PT	GWB	PT	GWB	PT	ACT	N/A	
03	Office	CTF1-A,B	RWB1-A	GWB	PT	GWB	PT	GWB	PT	GWB	PT	ACT	N/A	
04	Corridor	EX RSF	RWB 1-B	---	---	---	---	---	---	---	---	---	---	1,2

**ABBREVIATIONS:**  
 ACT - Acoustic Ceiling Tile  
 CTF - Composite Textile Flooring  
 EX - Existing  
 PT - Paint  
 RWB - Resilient Wall Base  
 RSF - Resilient Sheet Flooring

**REMARKS:**  
 1. New wall base to match existing.  
 2. Paint colour and sheen to match existing.

**GENERAL NOTES:**

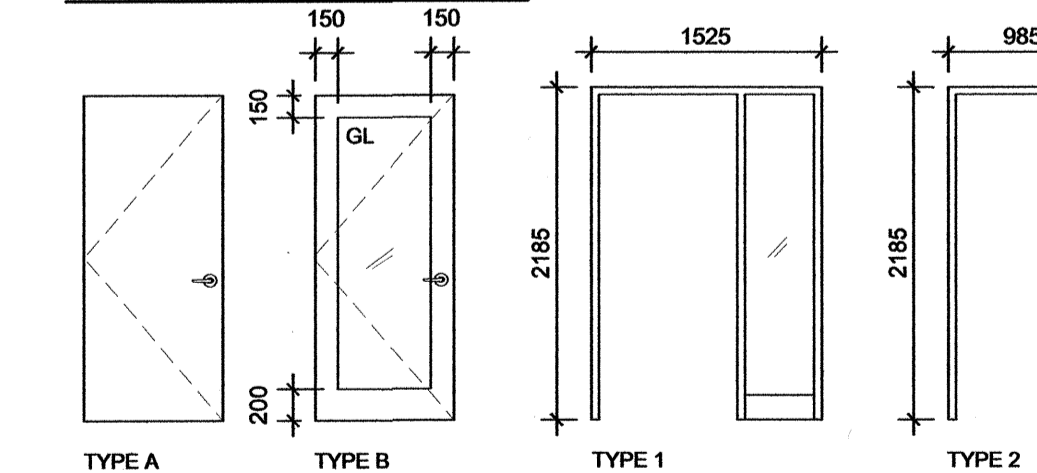
**COLOUR AND MATERIAL SCHEDULE**

Code	Material	Manufacturer	Series / Colour	Finish	Location
<b>06 40 00 Architectural WoodWork</b>					
P.Lam-1	Plastic Laminate	Wilsonart/Formica/Arborte	Full range of solids, textures, prints	Textured / Matte	Admin. Storage Millwork
P.Lam-2	Plastic Laminate	Wilsonart/Formica/Arborte	Full range of solids, textures, prints	Textured / Matte	Admin. Storage Millwork
<b>06 65 10 Solid Surface Material</b>					
SS-1	Solid Surface	Corian	Solid Colour as selected from full range	N/A	Transaction top at Pony Wall
<b>09 65 16 Resilient Sheet Flooring</b>					
RSF1-A	Resilient Sheet Flooring	Polyflor	Stonewall, 8230, 2000 Pur	PUR	Refer to Floor Pattern Drawing 1/A-4
RSF1-B	Resilient Sheet Flooring	Polyflor	Shadwo 8150, 2000 Pur	PUR	Refer to Floor Pattern Drawing 1/A-4
RSF2-AB	Resilient Sheet Flooring (Accepted alternate product to RSF1)	Armstrong	Meditone. Colour to be selected from full range of colours	N/A	Where RSF1-A,B is located.
HW-1	Heat Weld Rod	Polyflor	To match to RSF1-A	N/A	Use for non pattern welds
HW-2	Heat Weld Rod	Polyflor	To match to RSF1-B	N/A	Use for non pattern welds
HW-3	Heat Weld Rod	Polyflor	To accentuate pattern	N/A	Refer to Floor Pattern Drawing 1/A-4
<b>06 66 00 Plastic Laminate</b>					
P.Lam-1	Plastic Laminate	Wilsonart/Formica/Arborte	TBD	TBD	Admin. Storage Millwork
P.Lam-2	Plastic Laminate	Wilsonart/Formica/Arborte	TBD	TBD	Admin. Storage Millwork
<b>09 68 13 Textile Composite Flooring</b>					
CTF1-A	Composite Textile Flooring	Kinestet	Flash 610 x 610 Colour to be selected from full range of colours	N/A	Refer to Floor Pattern Drawing 1/A-4
CTF1-B	Composite Textile Flooring	Kinestet	Flash 610 x 610 Colour to be selected from full range of colours	N/A	Refer to Floor Pattern Drawing 1/A-4
RWB1-A	Resilient Wall Base	Johnsonite, Roppe	100 mm H. Top Set base	To be selected from manufacturer's full range of colours	Within Suite
RWB1-B	Resilient Wall Base	Johnsonite, Roppe	100 mm H. Top Set base	To be selected to match to the corridor wall base	Corridor
TS	Transition Strip	Johnsonite	CEXXA Colour to be selected from manufacturer's full range of colours.	N/A	Refer to Floor Pattern Drawing 1/A-4
<b>09 90 00 Paint</b>					
PT1	Interior Paint	ICI Paints	Belgian Lace #82YY 85/038	20-35% sheen @ 60°	Field
PT2	Interior Paint	Pratt & Lambert	Sparkling Wine, 15-3	20-35% sheen @ 60°	Accent
PT3	Interior Paint	Pratt & Lambert	Hersperia, 25-30	20-35% sheen @ 60°	Accent
PT4	Interior Paint	TBD	To match to the existing corridor colour	20-35% sheen @ 60°	Field
PT5	Interior Paint	Pratt & Lambert	Hersperia, 25-30	35-70% sheen @ 60°	Door
PT6	Interior Paint	Pratt & Lambert	25-18 Deep Charcoal	35-70% sheen @ 60°	Door frames
<b>10 90 00 Miscellaneous Specialties</b>					
WC	Window Covering	Urban Edge, Shade O Matic	TBD	N/A	All exterior windows

**DOOR SCHEDULE**

Door Number	Size	DOORS			FRAMES			CODE	FIRE RATING	REMARKS
		Material	Type	Finish	Material	Type	Finish			
D01	915 x 2134 x 44	HM	A	PT	HM	1	PT	1	-	
D02	915 x 2134 x 44	HM	B	PT	HM	2	PT	2	-	

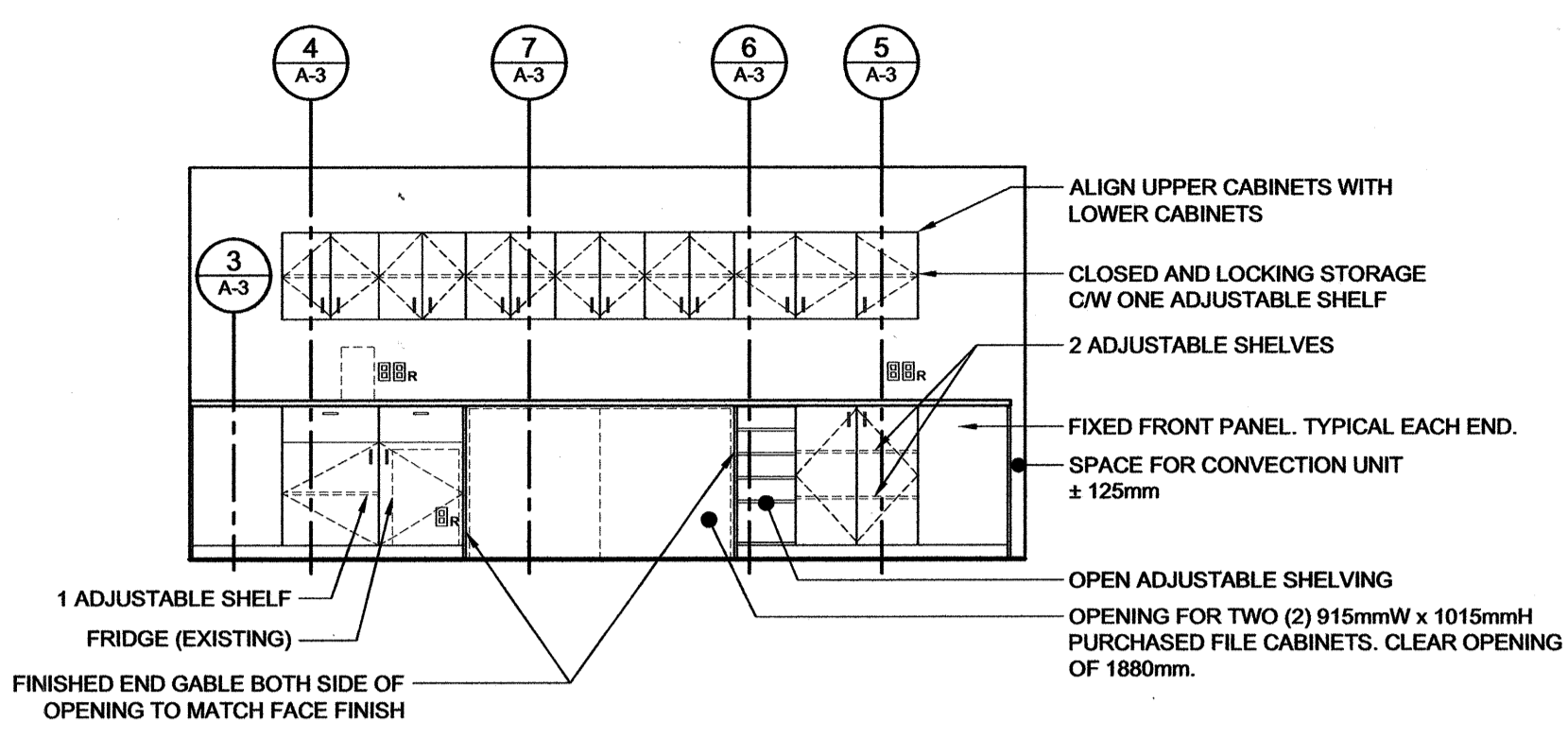
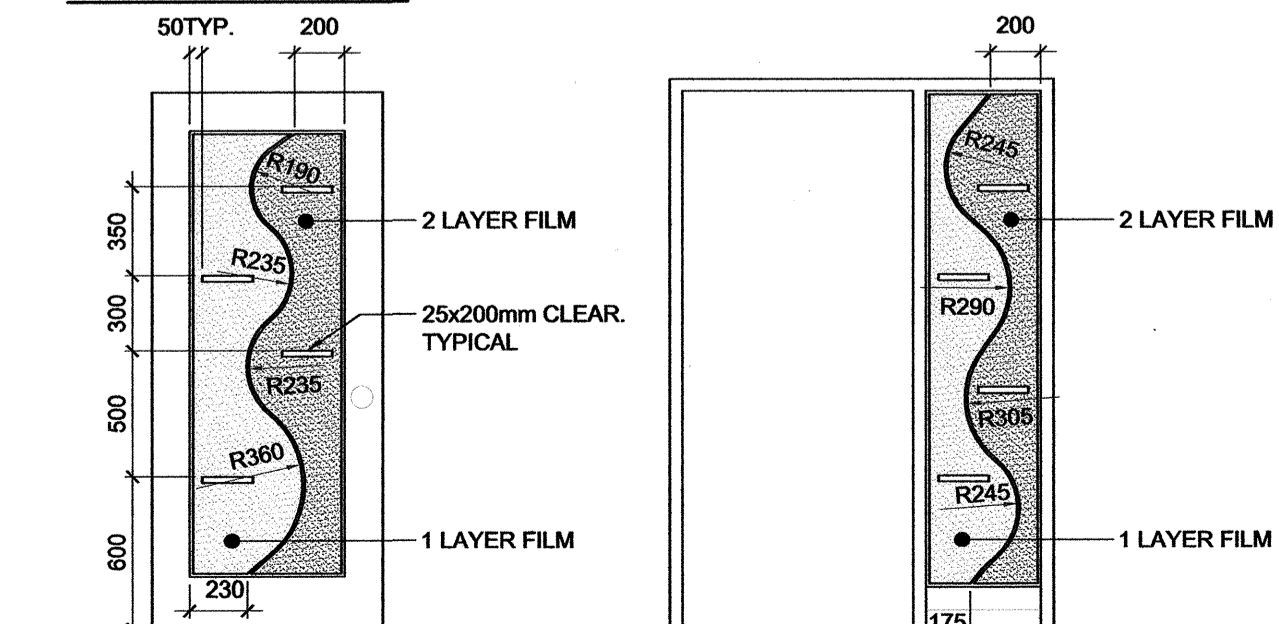
**DOOR AND FRAME TYPES**



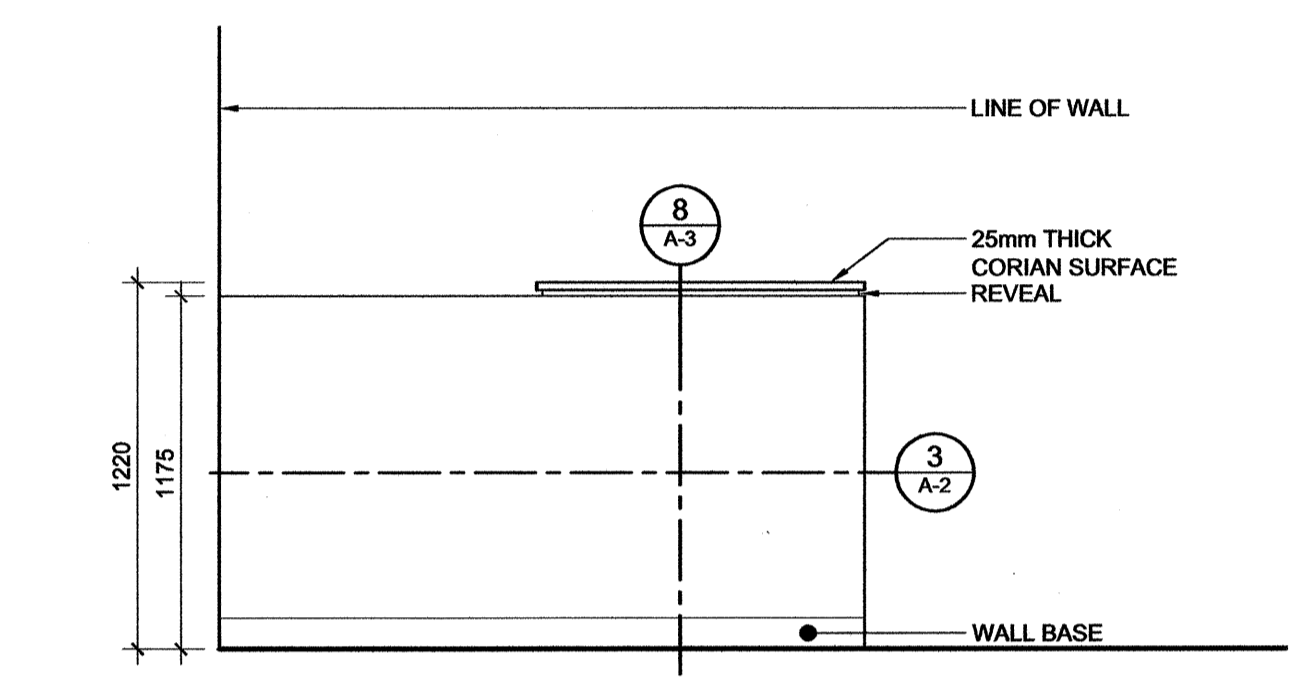
**HARDWARE CODES**

- HWSET:01**  
 1 EA 1 1/2" PAIR BUTT HINGES  
 1 EA LEVER LOCKSET  
 1 EA CLOSER  
 1 EA DOOR STOP (FLOOR MOUNTED)
- HWSET:02**  
 1 EA 1 1/2" PAIR BUTT HINGES  
 1 EA LEVER LOCKSET  
 1 EA DOOR STOP (FLOOR MOUNTED)
- NOTE:** TIE INTO CARD READER SYSTEM.

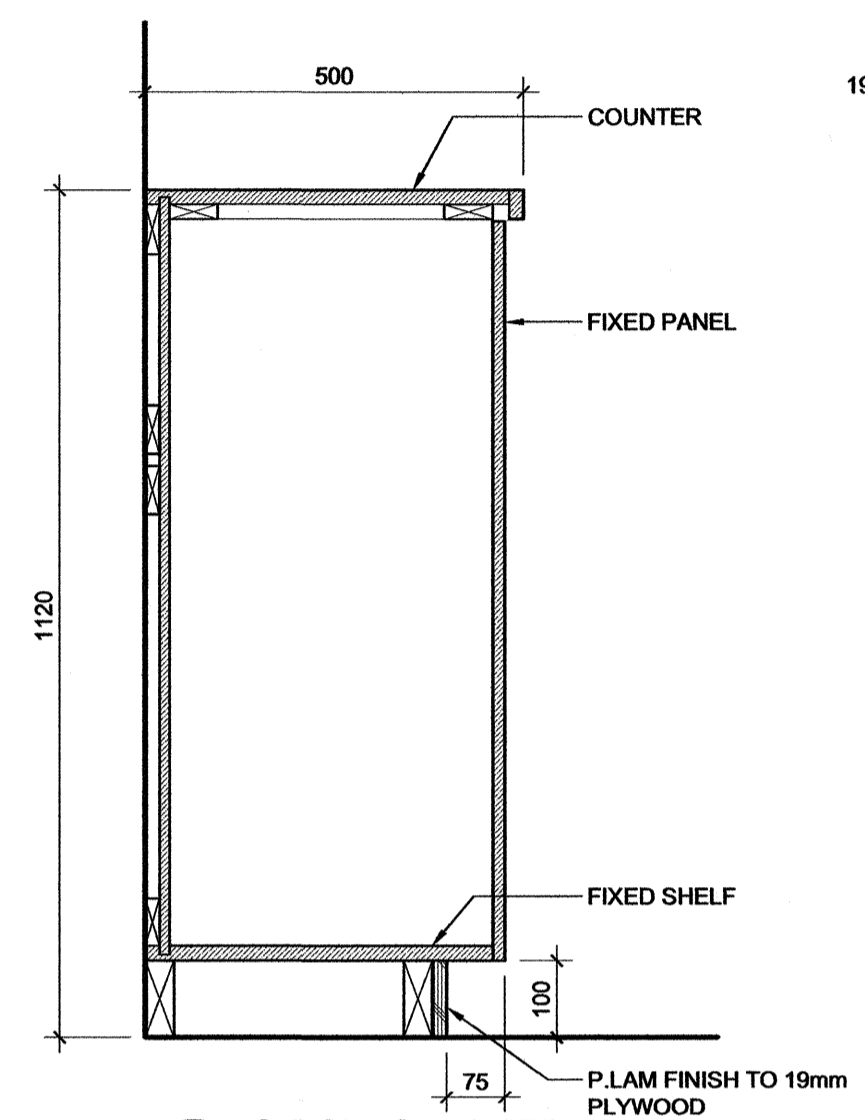
**SCREEN PATTERN.**



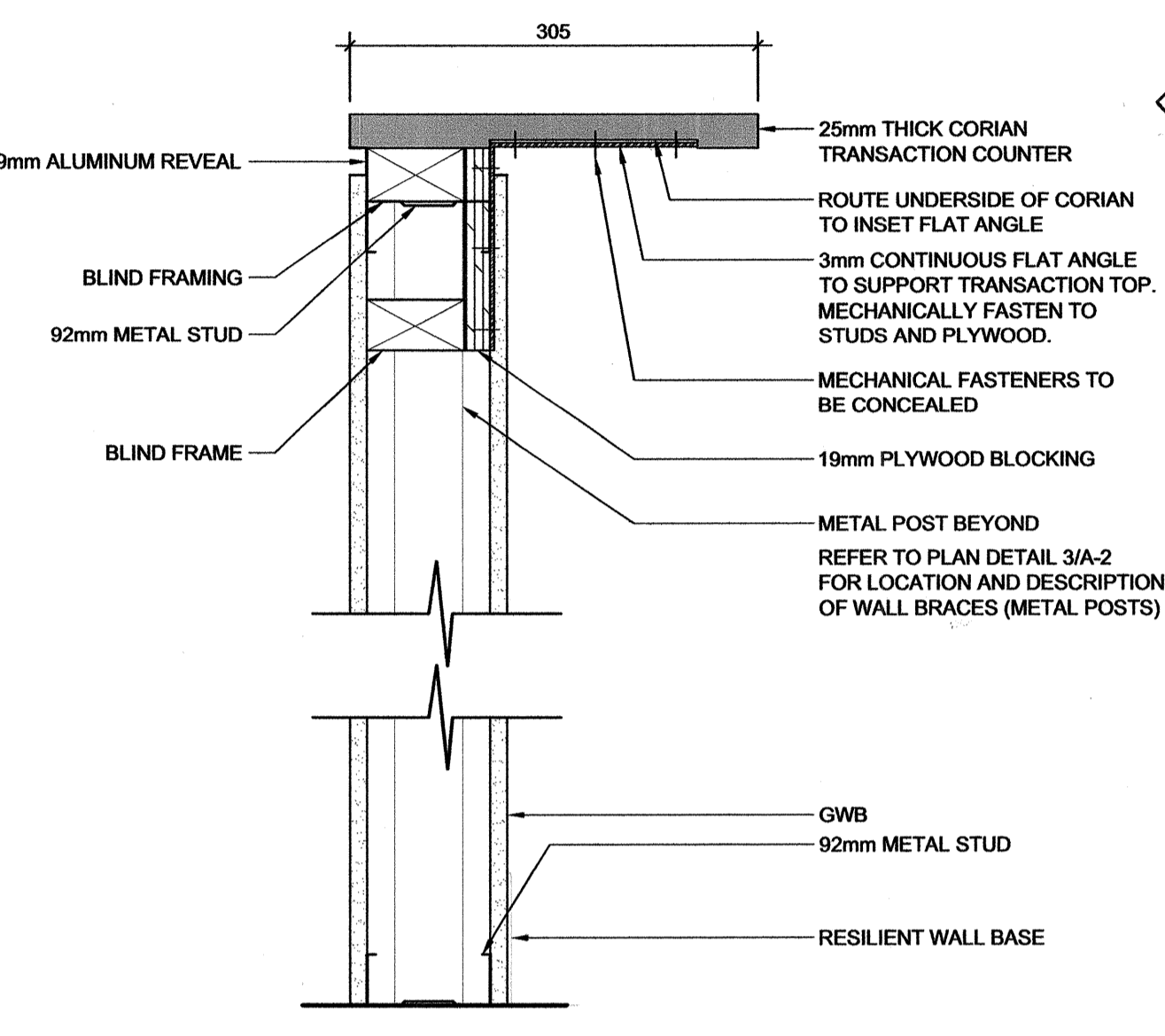
**1 N. ELEVATION**  
A-3 Scale 1:50



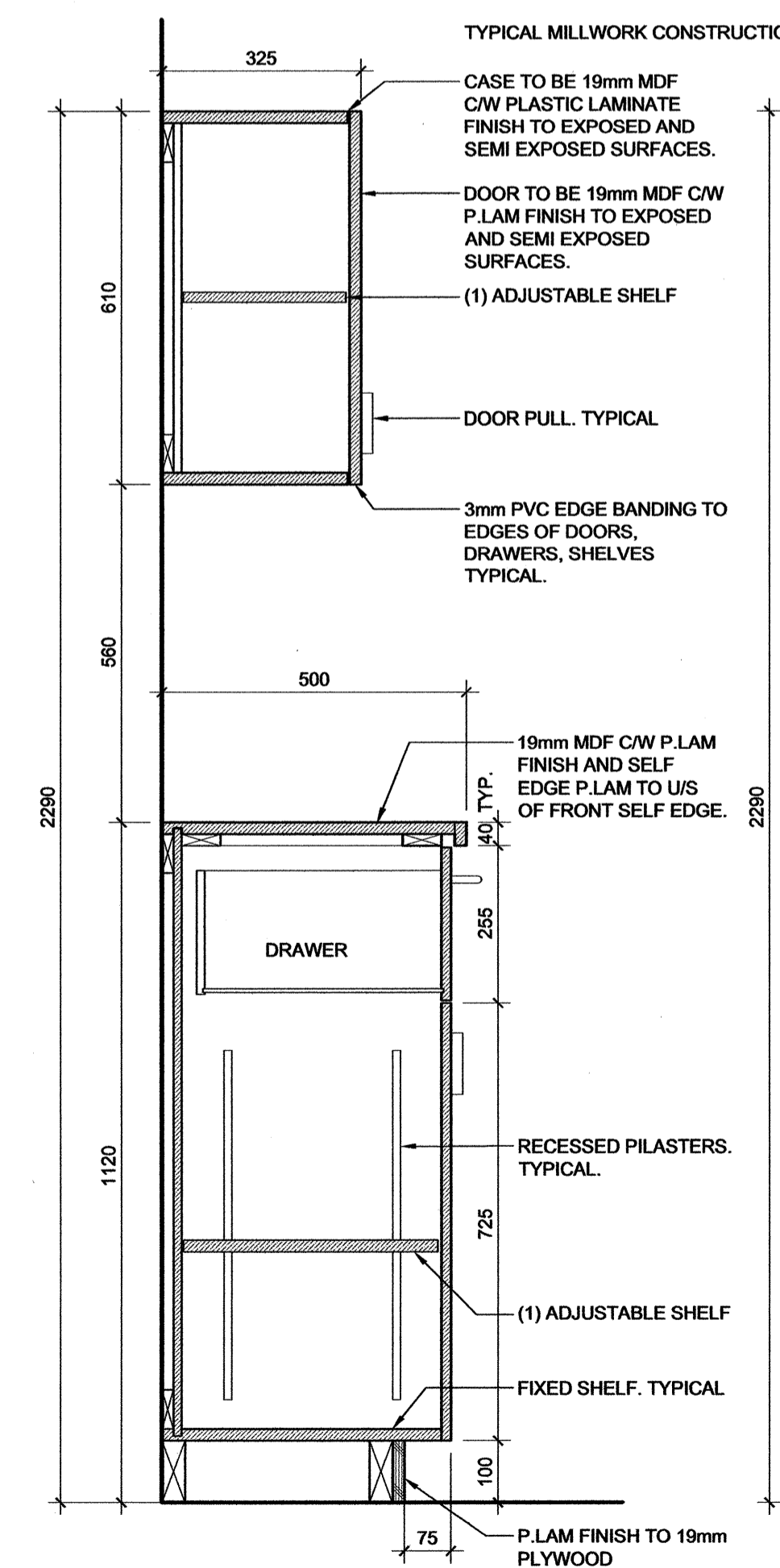
**2 N. ELEVATION**  
A-3 Scale 1:25



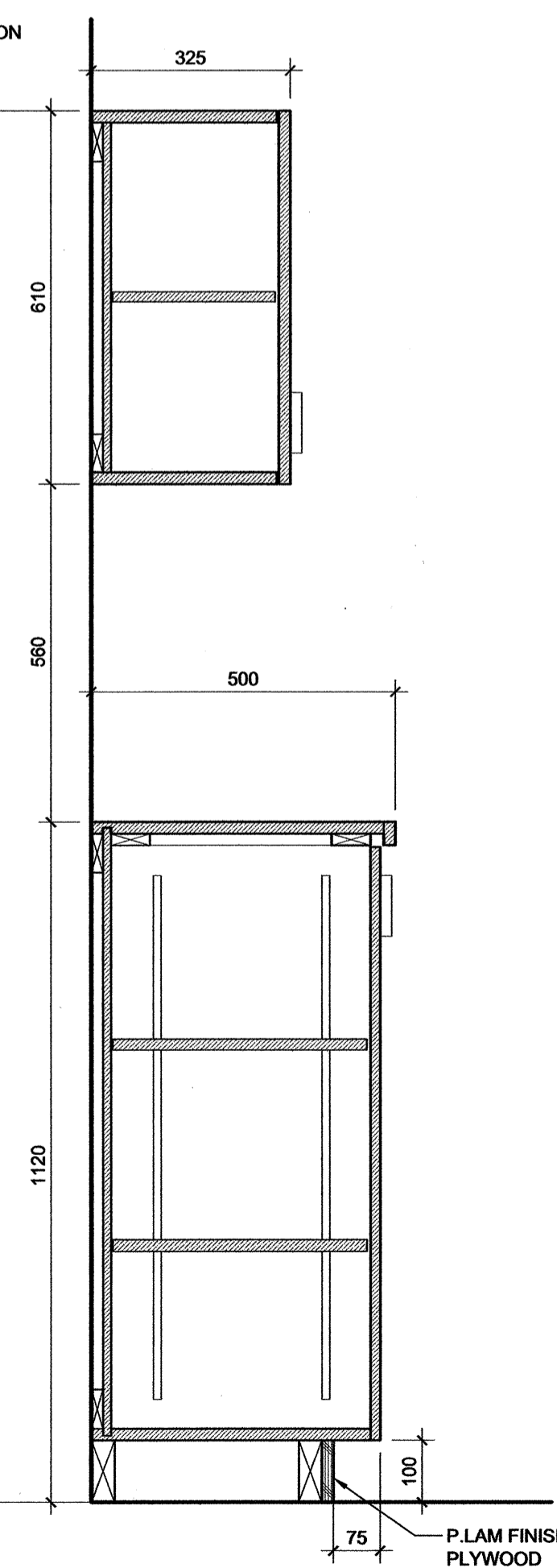
**3 SECTION DETAIL**  
A-3 Scale 1:10



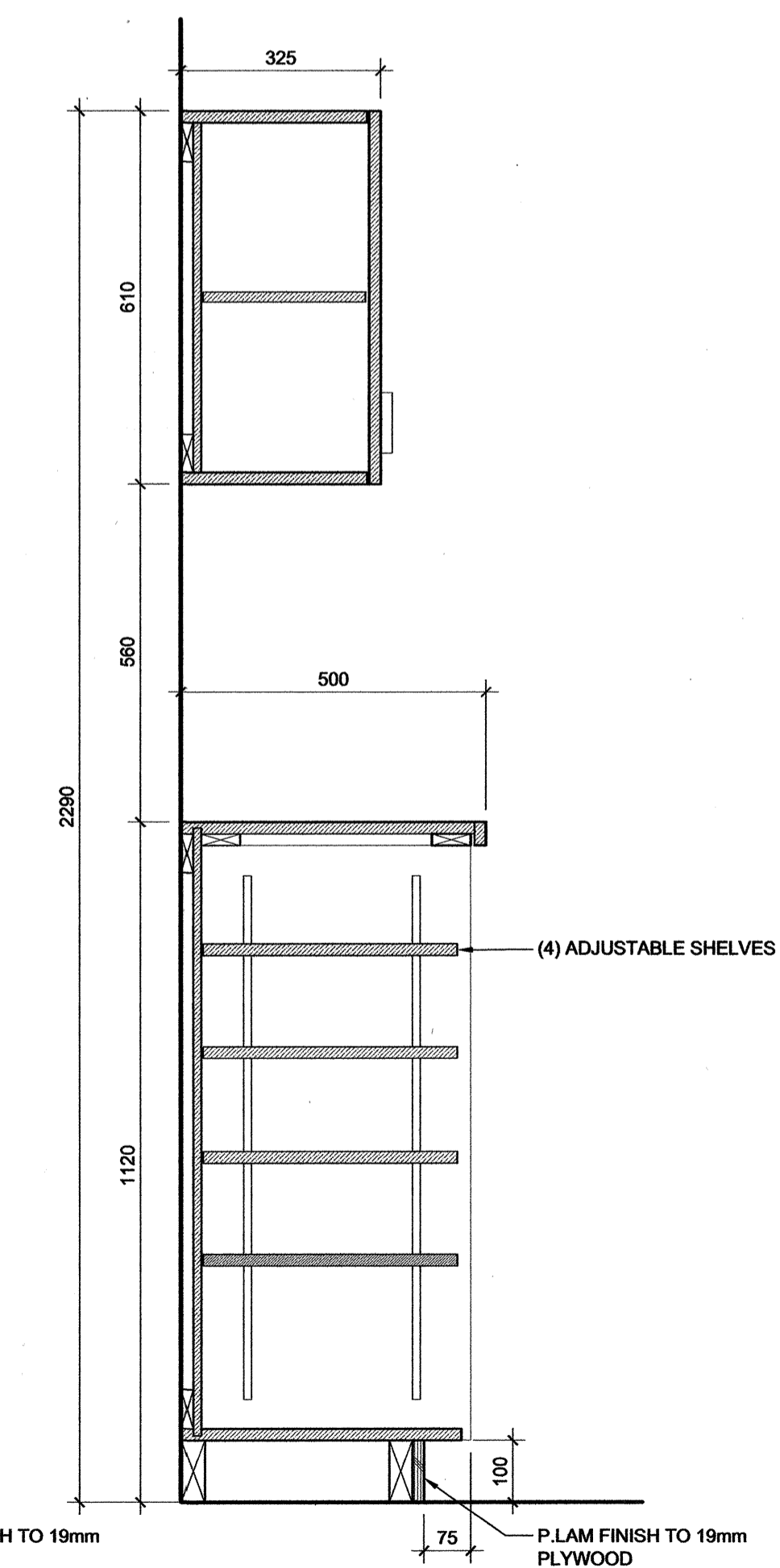
**8 SECTION DETAIL**  
A-3 Scale 1:5



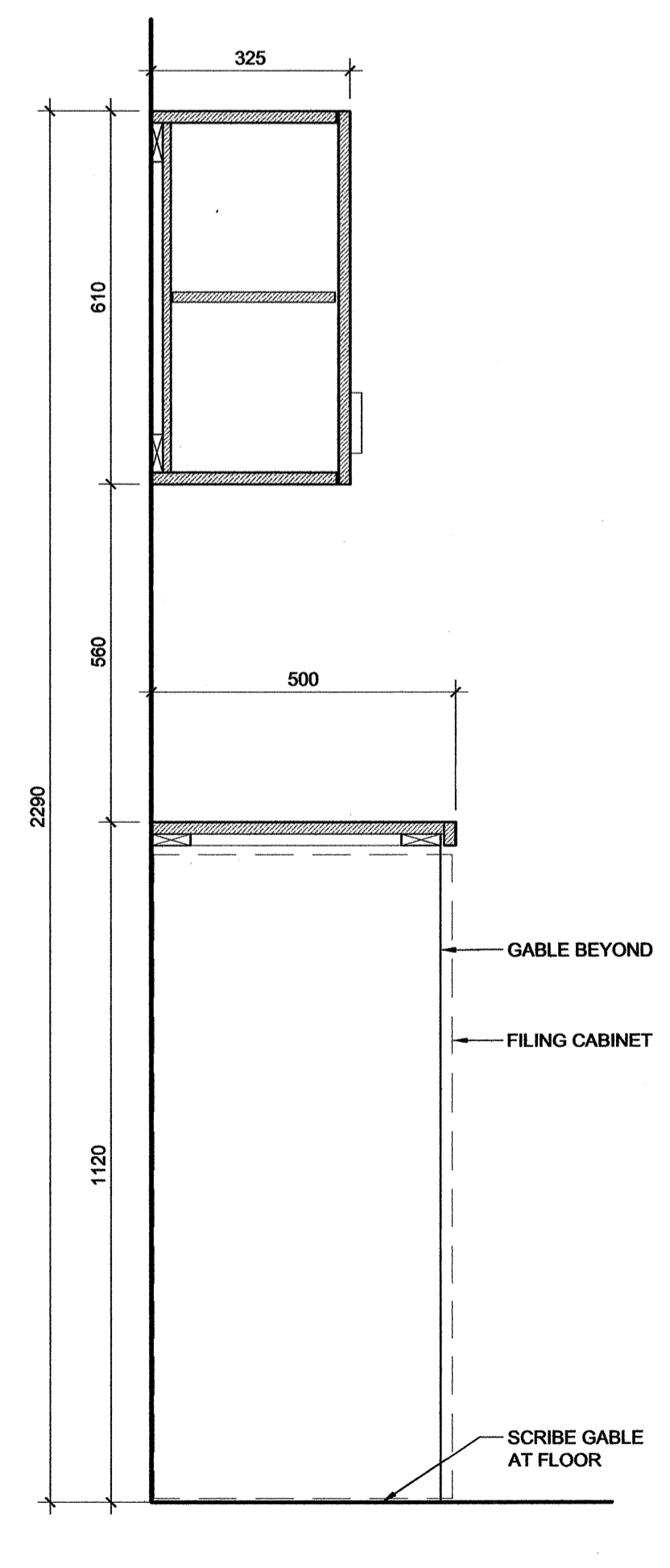
**4 SECTION DETAIL**  
A-3 Scale 1:10



**5 SECTION DETAIL**  
A-3 Scale 1:10



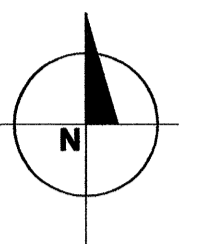
**6 SECTION DETAIL**  
A-3 Scale 1:10



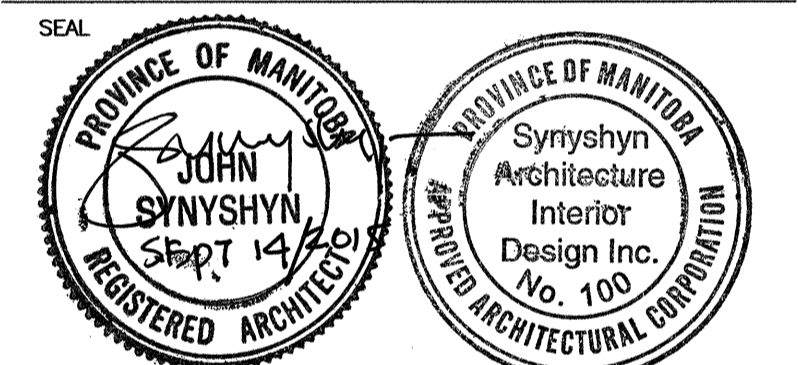
**7 SECTION DETAIL**  
A-3 Scale 1:10

Ownership of Documents: Drawings and specifications as instruments of service are and shall remain the property of the Architect whether the project for which they are made is executed or not. They are not to be used by the owner on other projects or extensions to this project except by agreement in writing and with appropriate compensation to the Architect.

This drawing shall not be scaled. Follow given dimensions only.



ISSUED FOR AUGUST 24, 2015



ARCHITECT / PRIME CONSULTANT  
**SYNSHYN ARCHITECTURE + INTERIOR DESIGN INC.**  
 MANITOBA • ALBERTA  
 T: 204.947-1100  
 F: 204.956-5742  
 603-43 Albert Street  
 Winnipeg, Manitoba  
 R3B 1G4 Canada  
 info@synyshyn.com  
 www.synyshyn.com

ENGINEERING CONSULTANT

ENGINEERING CONSULTANT

PROJECT TITLE  
**CENTRAL YARDS FIELD SERVICES BUILDING**  
**1220 PACIFIC AVENUE OFFICE RENOVATION**

1220 PACIFIC AVE. WINNIPEG MANITOBA  
 DRAWING TITLE

723-2015\_ELEVATIONS AND SCHEDULES\_A3-R1

DESIGNED BY JN DRAWN BY JN/AK

ISSUE DATE 09-14-2015 REVISION No. 1

PROJECT No. 15004 DRAWING No. A-3