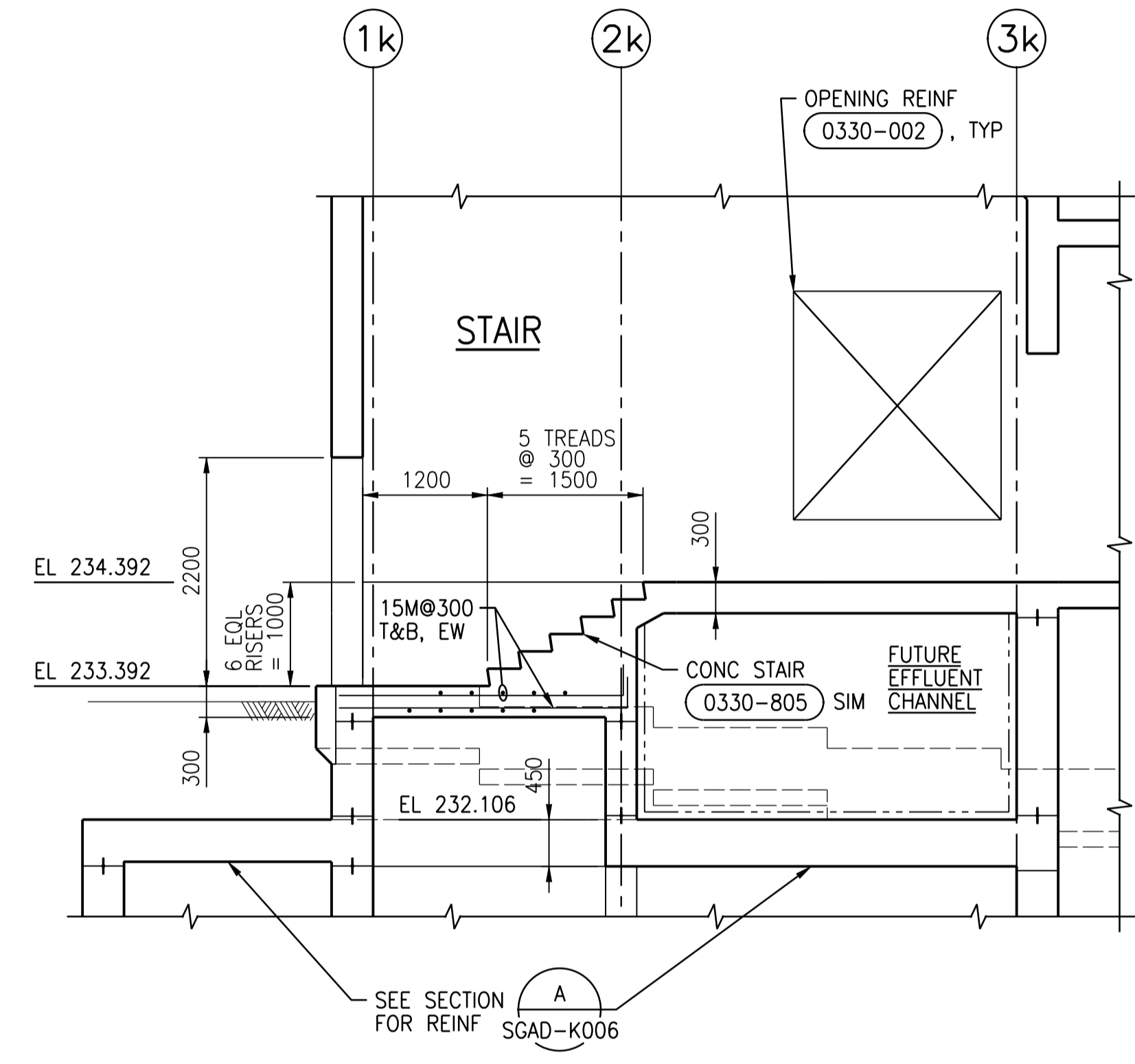


**N SECTION**  
1:50

SGAD-K001,  
SGAD-K002,  
SGAD-K003,  
SGAD-K004



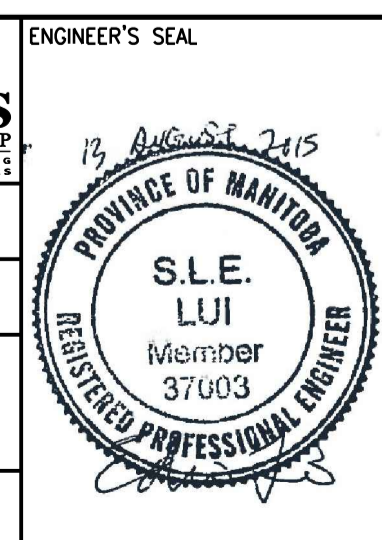
**Q SECTION**  
1:50

SGAD-K002,  
SGAD-K003,



NO.	REVISIONS	DATE	DESIGN	CHECK
00	ISSUED FOR TENDER	08/2015	G.O.	J.C.

<b>CH2MHILL.</b>		<b>KCS GROUP CONSULTING ENGINEERS</b>	
DESIGNED BY: E. LUI	CHECKED BY: R. PARIKH	ISSUED FOR CONSTRUCTION BY: T. TURZAK	DATE: 2015/08/13
DRAWN BY: G. OMORI	APPROVED BY: E. LUI	DATE: 2015/08/13	CONSULTANT NO.: 474248
SCALE: 1:50			



**THE CITY OF WINNIPEG**  
Winnipeg WATER AND WASTE DEPARTMENT

SOUTH END WATER POLLUTION CONTROL CENTRE  
SEWPC UPGRADING/EXPANSION PROJECT  
STRUCTURAL  
HIGH RATE CLARIFICATION BUILDING  
SECTIONS N AND Q

CITY DRAWING NUMBER: 1-0102-SGAD-K017  
SHEET: 00  
REV: 00  
SIZE: A1