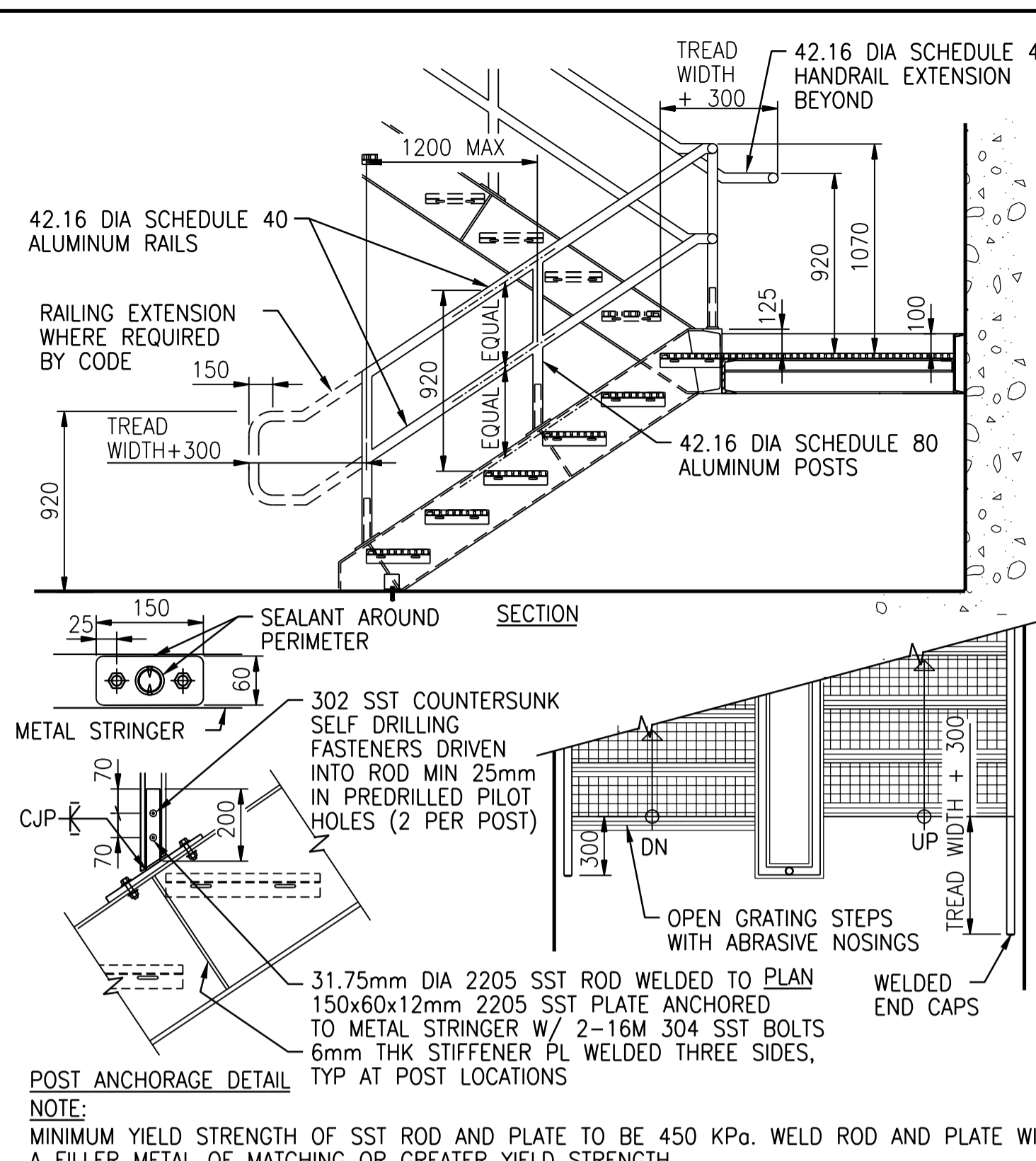
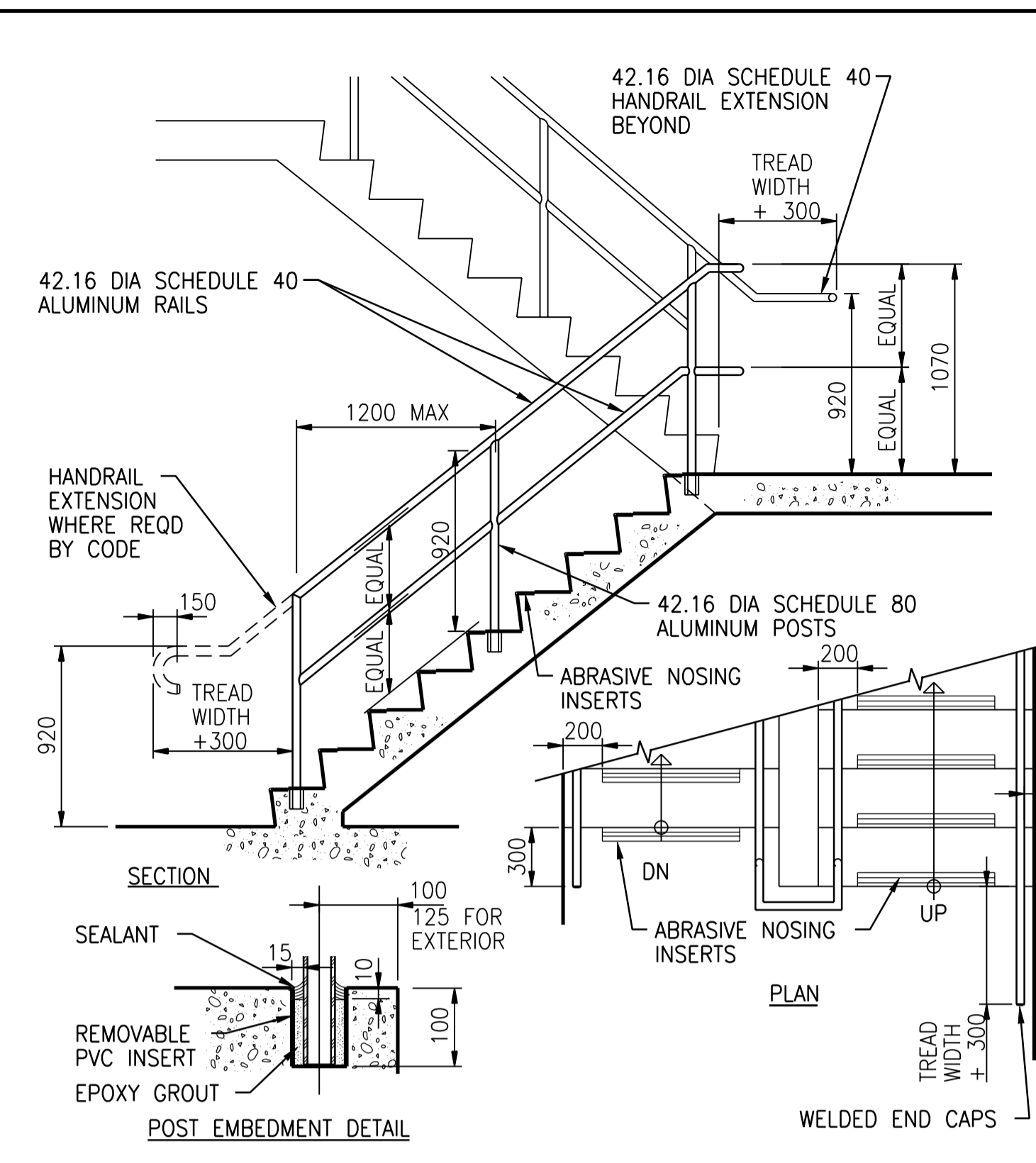


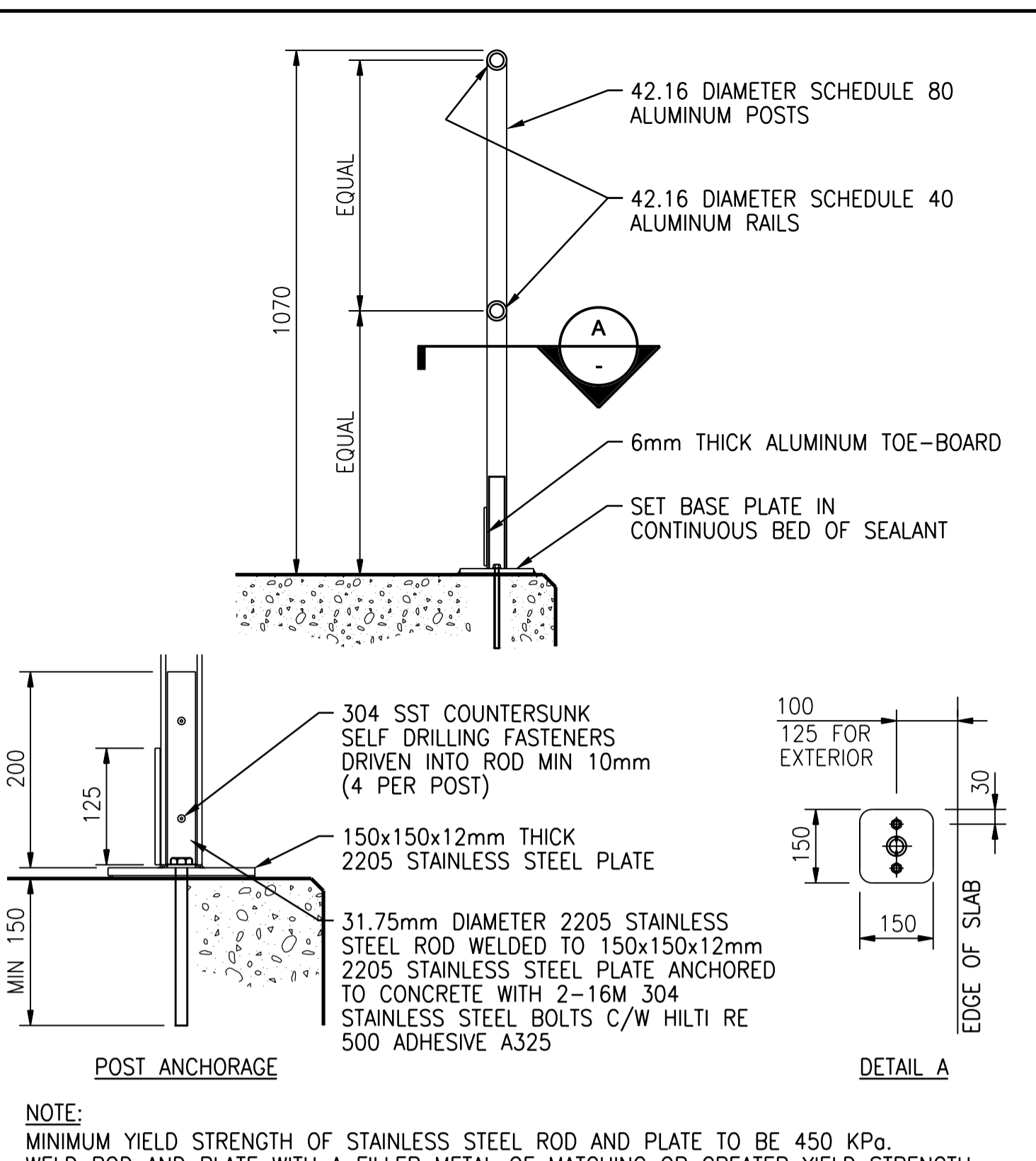
A1 SIZE - 594mm x 841mm



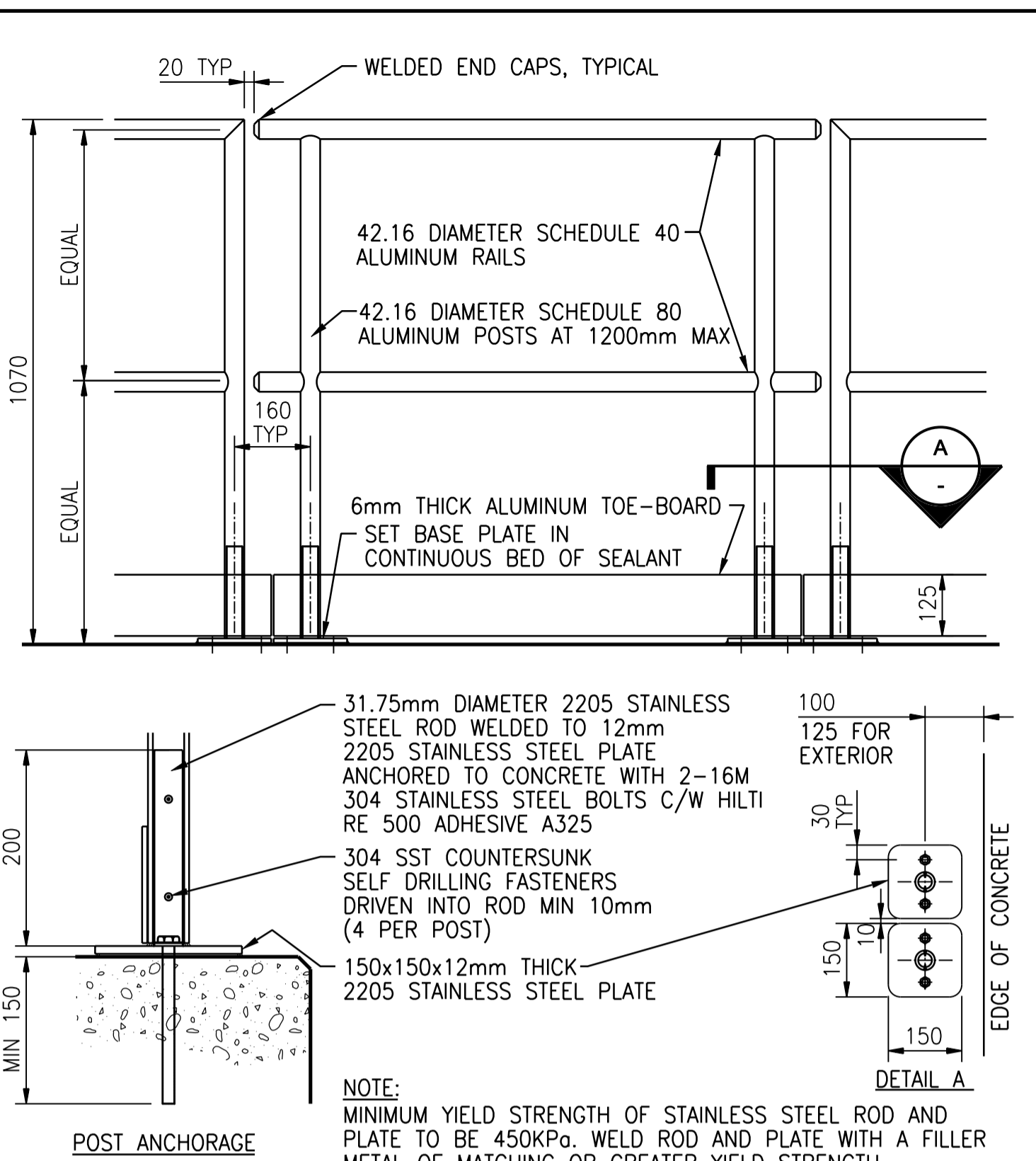
POST ANCHORAGE - OPEN GRATING METAL STAIR WITH TUBE RAILING
NTS (0552-804)



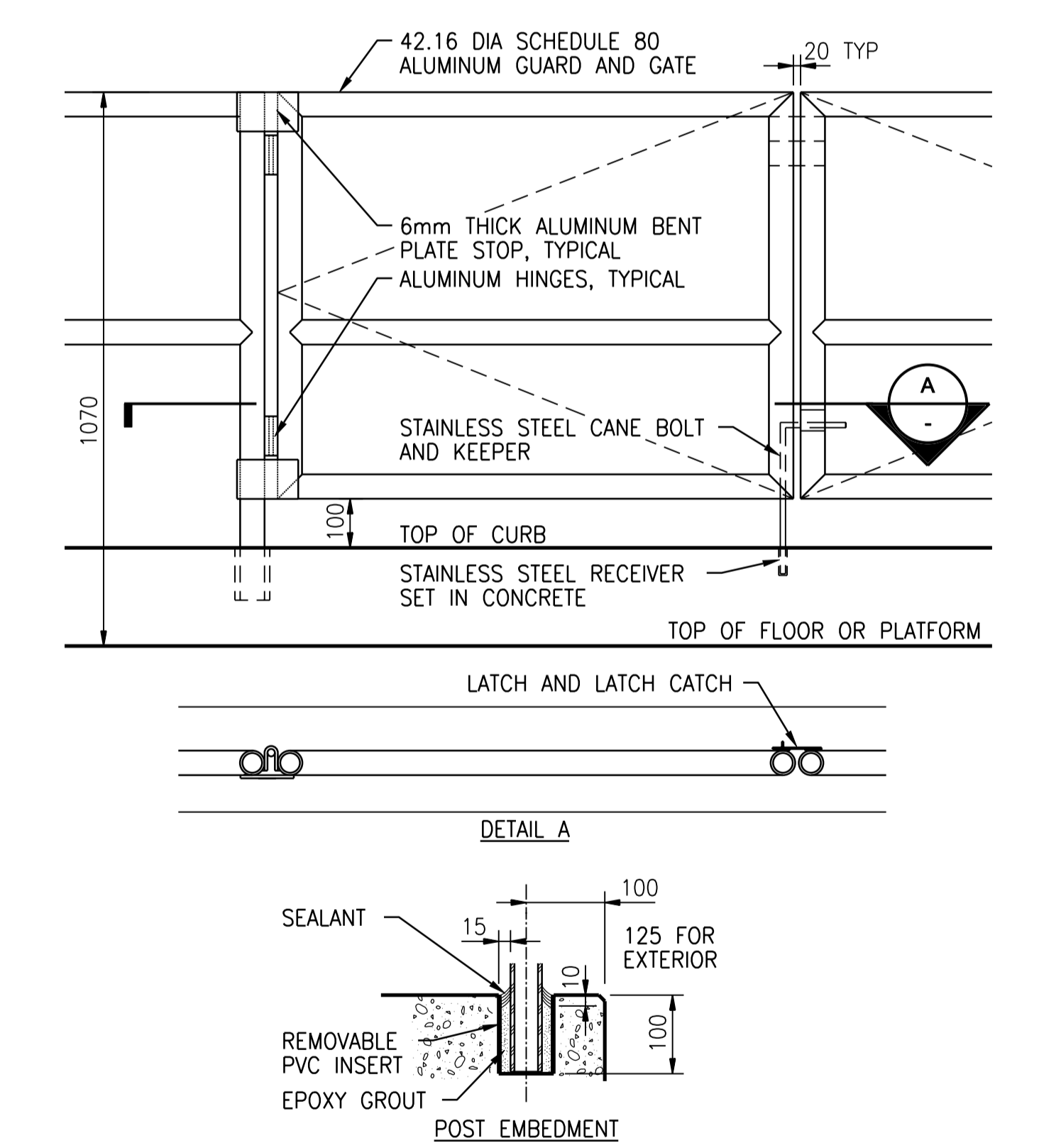
POST EMBEDMENT - PIPE RAILING ON CONCRETE STAIRS (1000 AND WIDER)
NTS (0552-806)



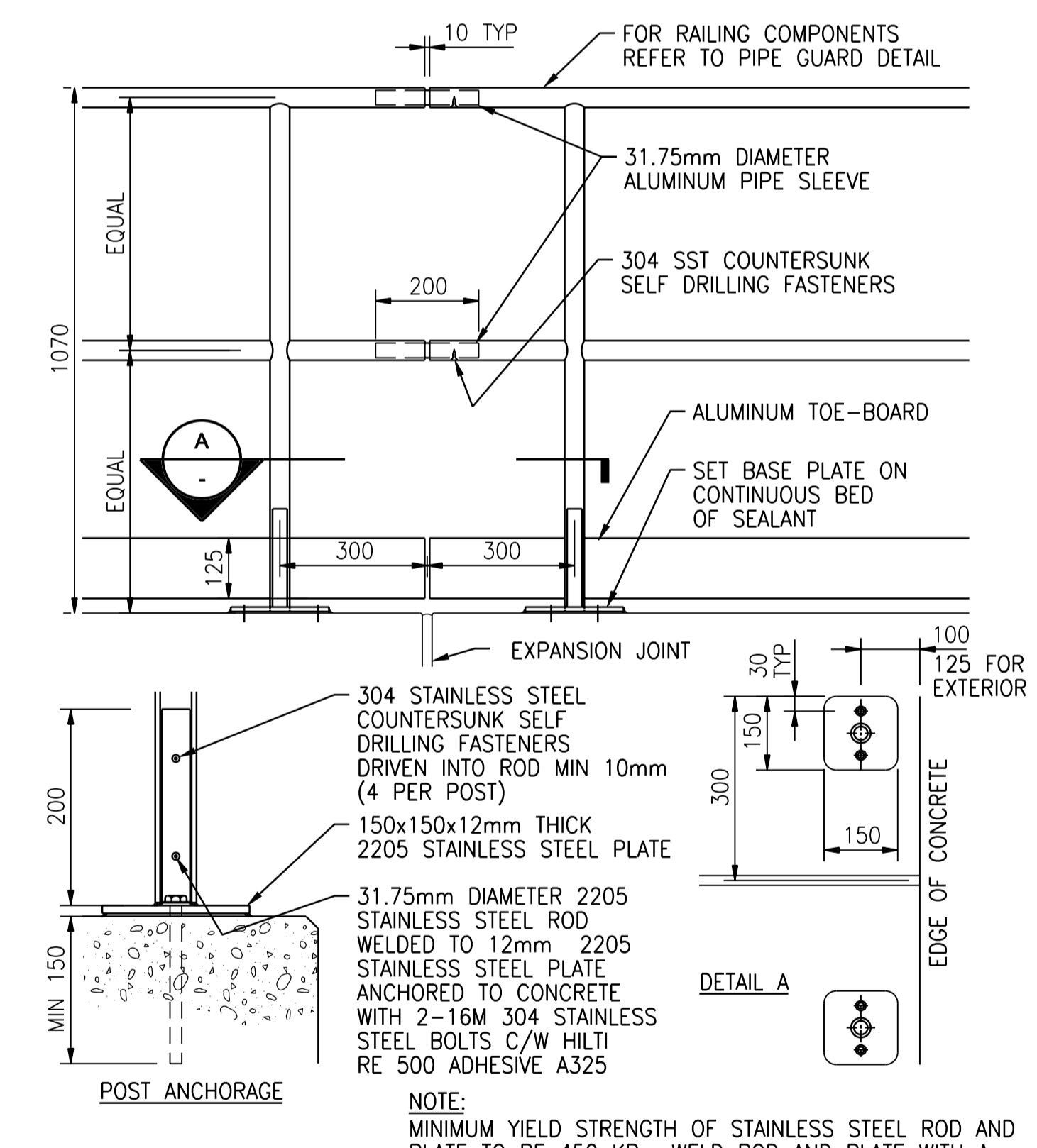
POST ANCHORAGE - SURFACE MOUNTED GUARD
NTS (0552-810)



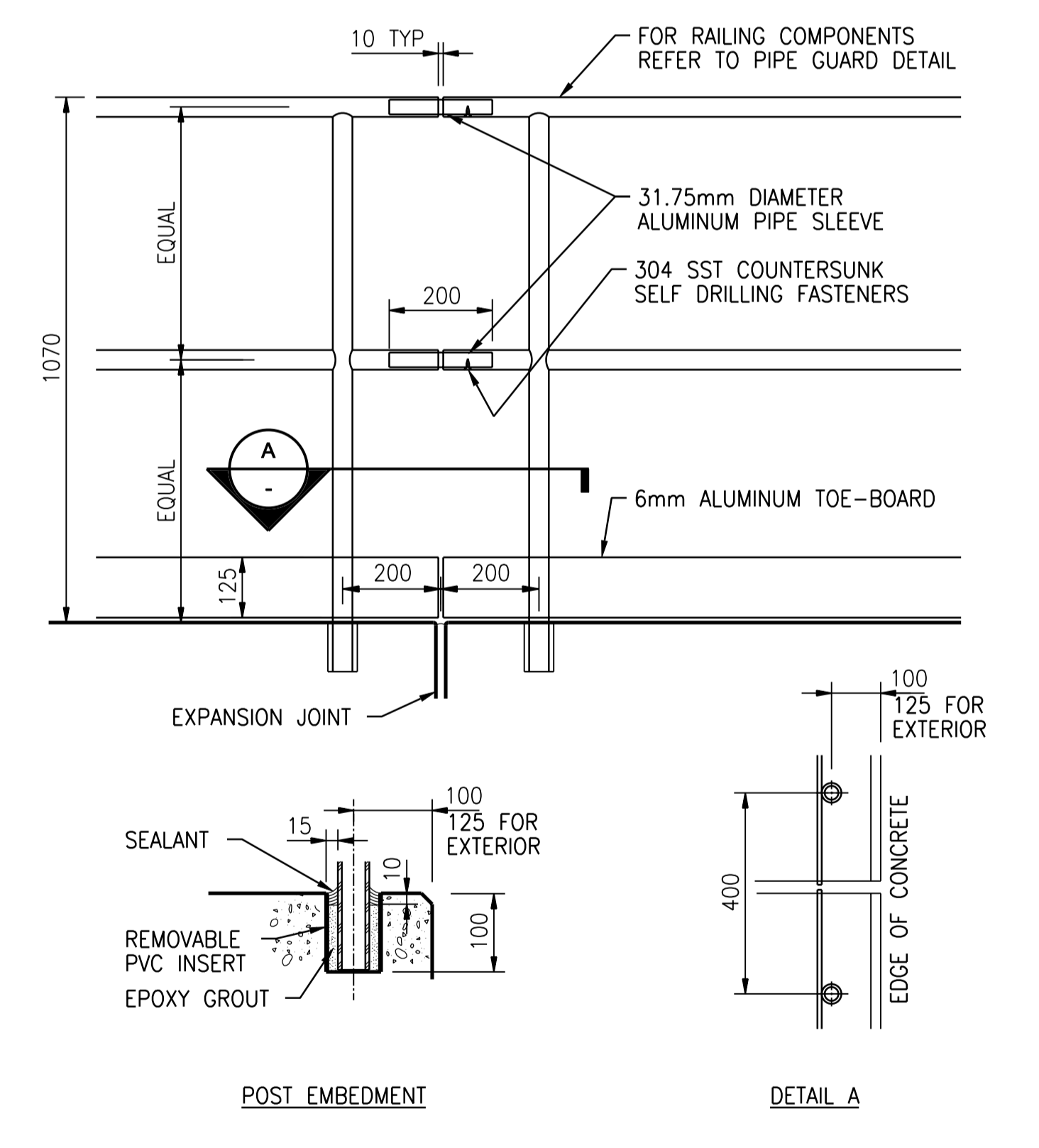
POST ANCHORAGE - REMOVABLE ALUMINUM GUARD (SURFACE MOUNTED)
NTS (0552-811)



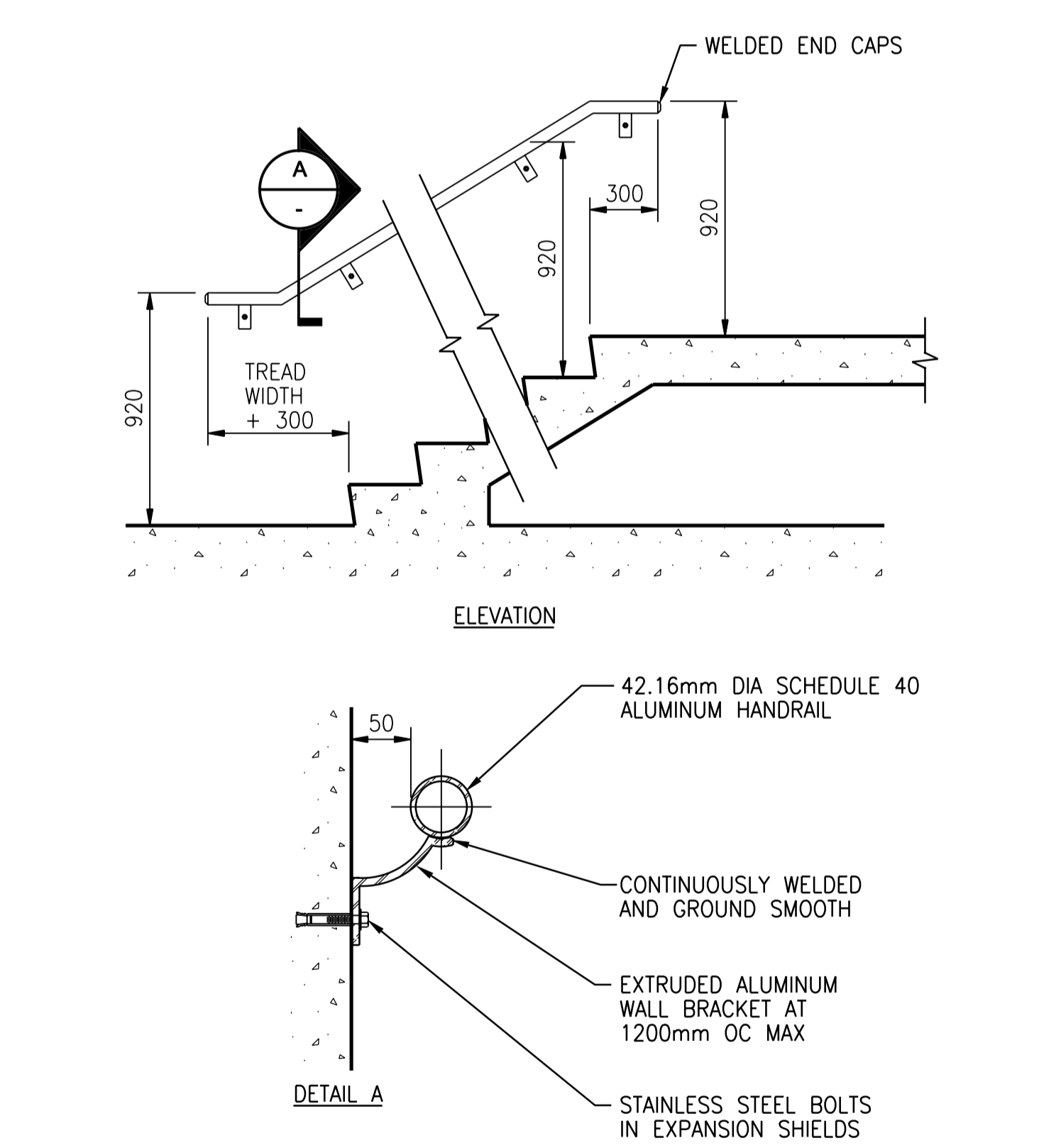
POST EMBEDMENT - HINGED DOUBLE GATE PIPE RAILING (MAX 2000)
NTS (0552-814)



POST ANCHORAGE - PIPE RAILING EXPANSION JOINT (SURFACE MOUNTED)
NTS (0552-815)



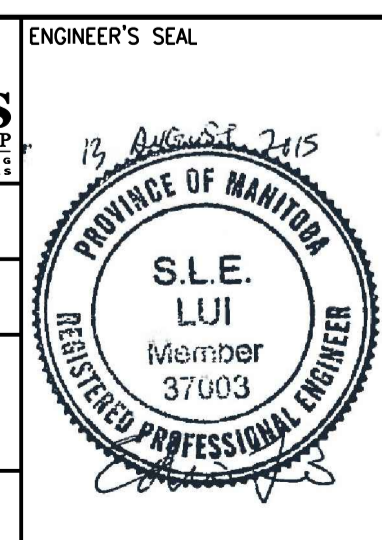
POST ANCHORAGE - PIPE RAILING EXPANSION JOINT (EMBEDDED)
NTS (0552-816)



WALL MOUNTED PIPE HANDRAIL
NTS (0552-019)



CH2MHILL		SNC-LAVALIN		KCS GROUP CONSULTING	
DESIGNED BY:	E. LUJ	CHECKED BY:	R. PARIKH		
DRAWN BY:	G. OMORI	APPROVED BY:	E. LUJ		
SCALE:	NTS	ISSUED FOR CONSTRUCTION BY:	T. TURZAK		
DATE:	2015/08/13	DATE:	2015/08/13		
CONSULTANT NO.:	474248				



THE CITY OF WINNIPEG
Winnipeg WATER AND WASTE DEPARTMENT

SOUTH END WATER POLLUTION CONTROL CENTRE
SEWPPC UPGRADING/EXPANSION PROJECT
STRUCTURAL
STANDARD DETAILS (11)

CITY DRAWING NUMBER: 1-0102-SDTL-A012
SHEET: 00
REV: A1
SIZE: A1

©CH2M HILL 2015. ALL RIGHTS RESERVED.