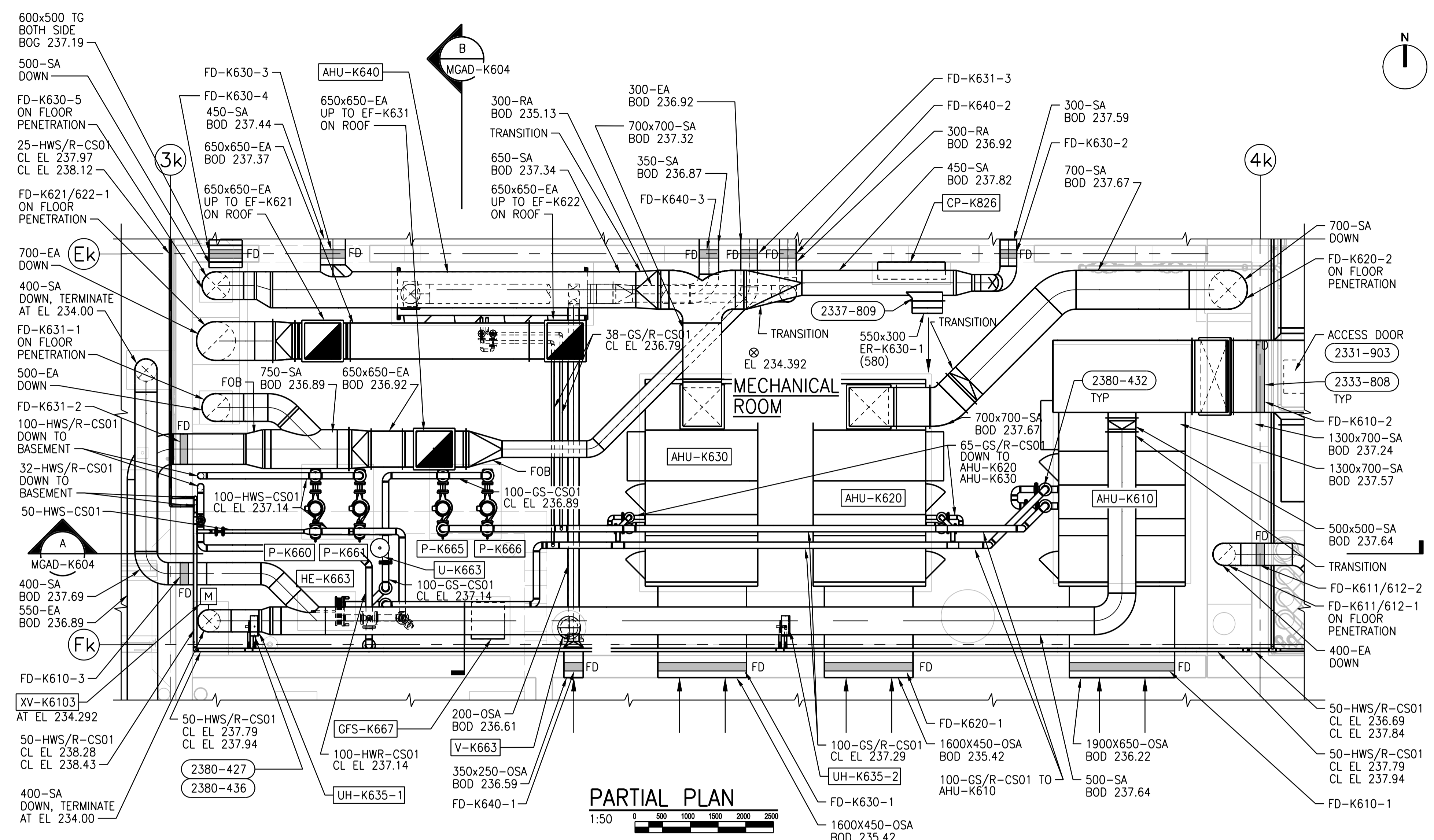
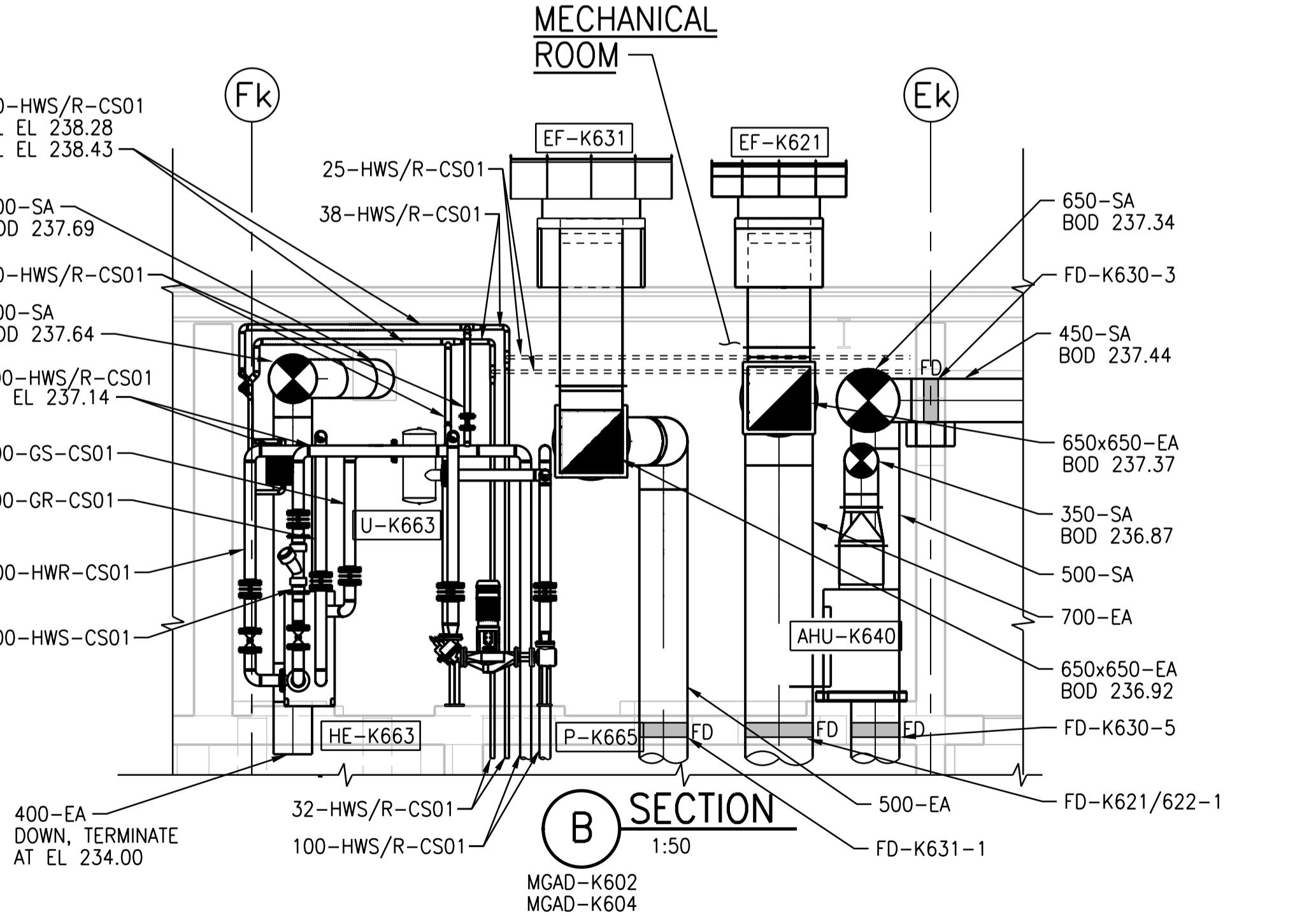
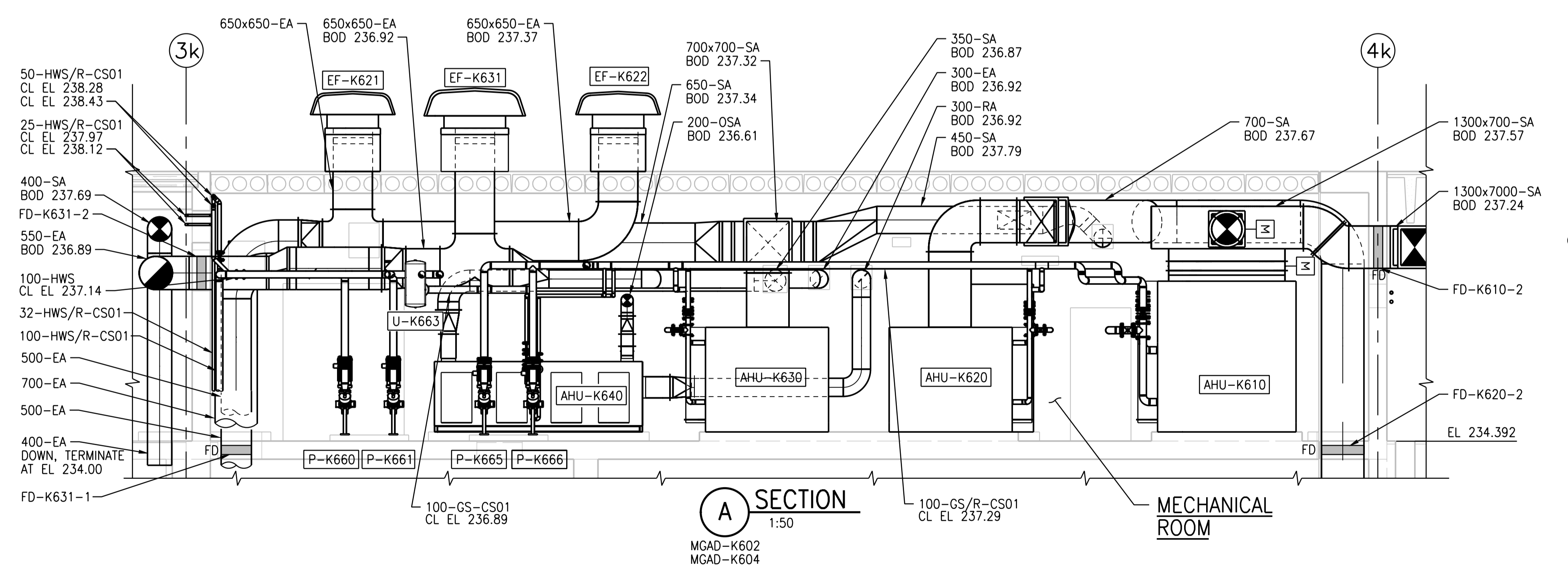


A1 SIZE - 594mm x 841mm



FIRE DAMPER SCHEDULE						
TAG	DUCT SIZE	CONCRETE OPENING	LOCATION	DAMPER TYPE	MODEL	MATERIAL
FD-K610-1	1900x850	1925x750	MECHANICAL ROOM	B	0120	CG
FD-K610-2	1300x700	1325x825	MECHANICAL ROOM	B	0120	SS
FD-K610-3	400 DIA	475x500	MECHANICAL ROOM	CR	0130	CG
FD-K620-1	1600x450	1625x550	MECHANICAL ROOM	B	0120	CG
FD-K620-2	700 DIA	775x850	MECHANICAL ROOM	CR	0130	CG
FD-K630-1	1600x450	1625x550	MECHANICAL ROOM	B	0120	CG
FD-K630-2	300 DIA	375x400	MECHANICAL ROOM	CR	0130	CG
FD-K630-3	450 DIA	525x575	MECHANICAL ROOM	CR	0130	CG
FD-K630-4	600x500	625x600	MECHANICAL ROOM	B	0120	CG
FD-K630-5	500 DIA	575x625	MECHANICAL ROOM	CR	0130	CG
FD-K630-6	300 DIA	375x400	BALLAST ROOM	CR	0130	CG
FD-K640-1	350x250	375x325	MECHANICAL ROOM	B	0120	CG
FD-K640-2	300 DIA	375x400	MECHANICAL ROOM	CR	0130	CG
FD-K640-3	350 DIA	425x450	MECHANICAL ROOM	CR	0130	CG
FD-K640-4	450x400	475x475	ELECTRICAL ROOM	B	0120	CG
FD-K640-5	400x400	425x475	ELECTRICAL ROOM	B	0120	CG
FD-K611/612-1	400 DIA	475x500	MECHANICAL ROOM	CR	0130	CG
FD-K611/612-2	400 DIA	475x500	MECHANICAL ROOM	CR	0130	SS
FD-K621/622-1	700 DIA	775x850	MECHANICAL ROOM	CR	0130	CG
FD-K631-1	500 DIA	575x625	MECHANICAL ROOM	CR	0130	CG
FD-K631-2	550 DIA	625x675	MECHANICAL ROOM	CR	0130	CG
FD-K631-3	300 DIA	375x400	MECHANICAL ROOM	CR	0130	CG
FD-K631-4	300 DIA	375x400	BALLAST ROOM	CR	0130	CG
FD-P681-1	250x250	275x325	PRIMARY CLARIFIER	B	0120	SS

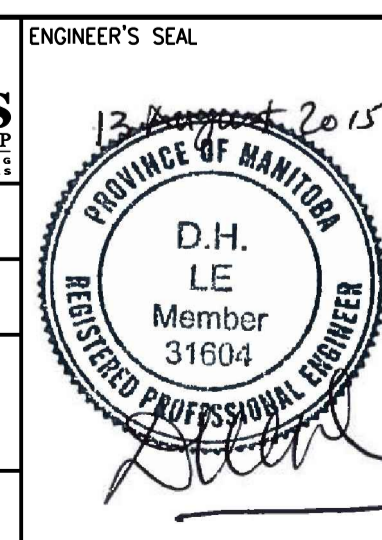
NOTE: DAMPER MANUFACTURER, NAILOR HART



00	ISSUED FOR TENDER	08/2015	K.F. J.C.
NO.	REVISIONS	DATE	DESIGN CHECK

CH2MHILL.
SNC-LAVALIN
DESIGNED BY: D. LE
DRAWN BY: K. FONG
SCALE: 1:50
DATE: 2015/08/13

CHECKED BY: T. TRAN
APPROVED BY: D. LE
ISSUED FOR CONSTRUCTION BY: T. TURZAK
DATE: 2015/08/13
CONSULTANT NO.: 474248



ENGINEER'S SEAL
THE CITY OF WINNIPEG
WATER AND WASTE DEPARTMENT
SOUTH END WATER POLLUTION CONTROL CENTRE
SEWPC UPGRADING/EXPANSION PROJECT
MECHANICAL
HIGH RATE CLARIFICATION BUILDING
HVAC - PARTIAL PLAN AND SECTIONS
CITY DRAWING NUMBER: 1-0102-MGAD-K604
SHEET: 00
REV: A1
SIZE: A1

©CH2M HILL 2015. ALL RIGHTS RESERVED.