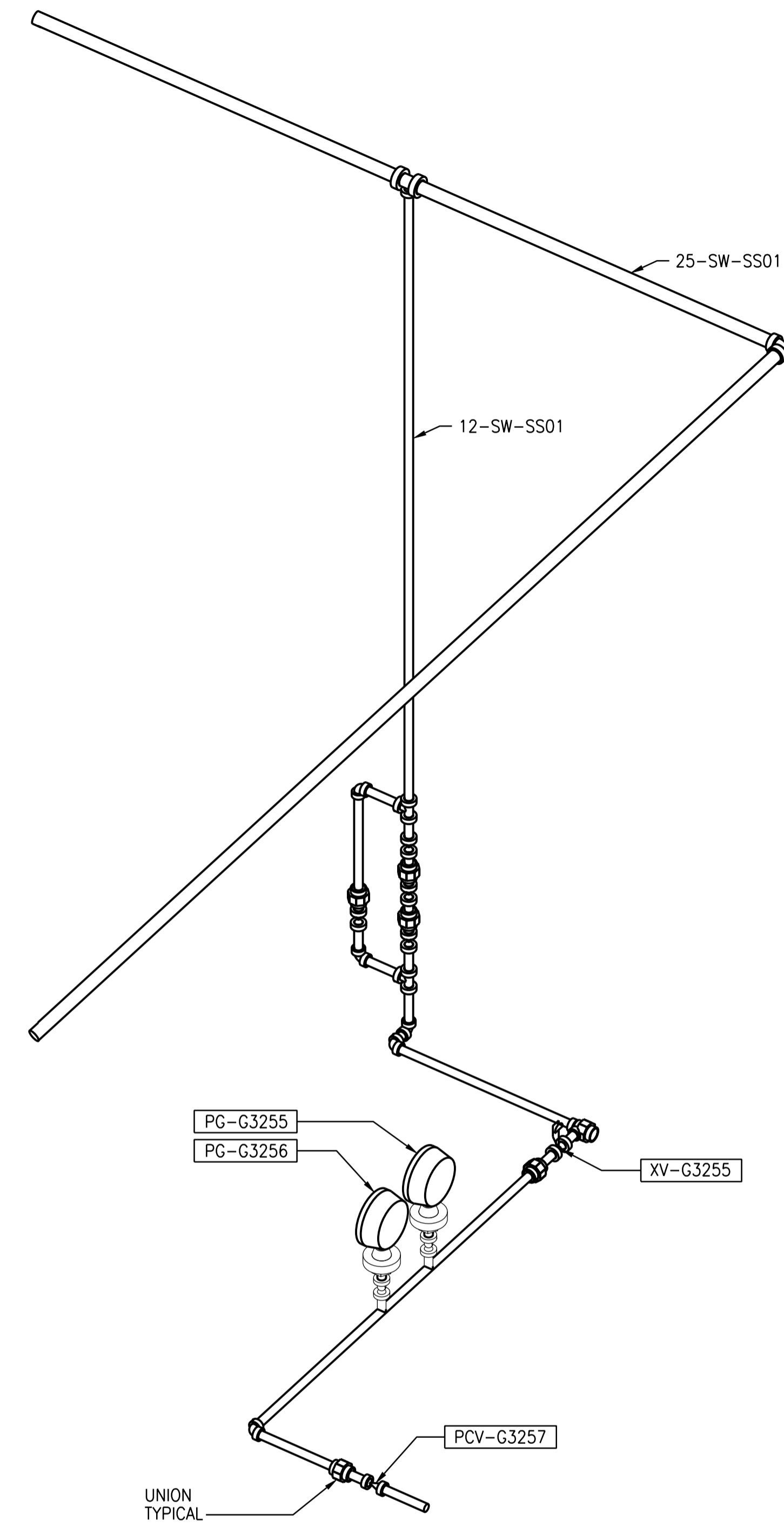


**PLUMBING - ISOMETRIC**  
NTS

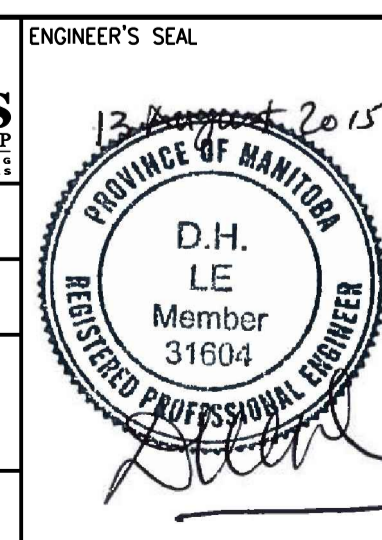


**DETAIL 1**  
NTS



NO.	REVISIONS	DATE	DESIGN	CHECK
00	ISSUED FOR TENDER	08/2015	K.F.	J.C.

<b>CH2MHILL.</b>		<b>KCS GROUP CONSULTING ENGINEERS</b>	
DESIGNED BY: D. LE	CHECKED BY: T. TRAN	DESIGNED BY: S. SUN	APPROVED BY: D. LE
SCALE: 1:50	ISSUED FOR CONSTRUCTION BY: T. TURZAK	DATE: 2015/08/13	DATE: 2015/08/13
CONSULTANT NO.: 474248			



**THE CITY OF WINNIPEG**  
WATER AND WASTE DEPARTMENT

SOUTH END WATER POLLUTION CONTROL CENTRE  
SEWPCC UPGRADING/EXPANSION PROJECT  
MECHANICAL  
GRIT TANKS 1 AND 2  
PLUMBING - ISOMETRIC

CITY DRAWING NUMBER: 1-0102-MGAD-G502

SHEET	REV.	SIZE
00	00	A1