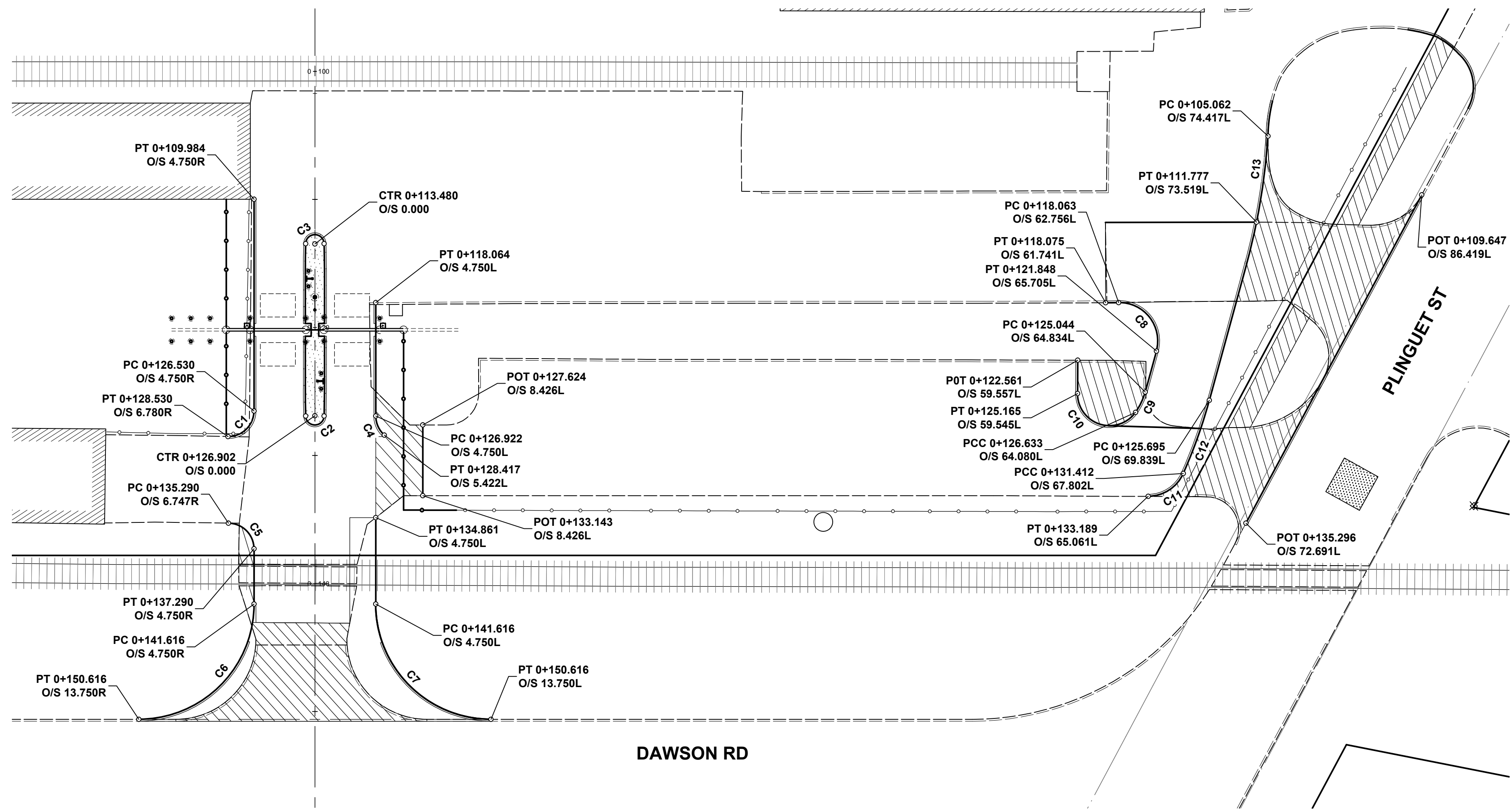


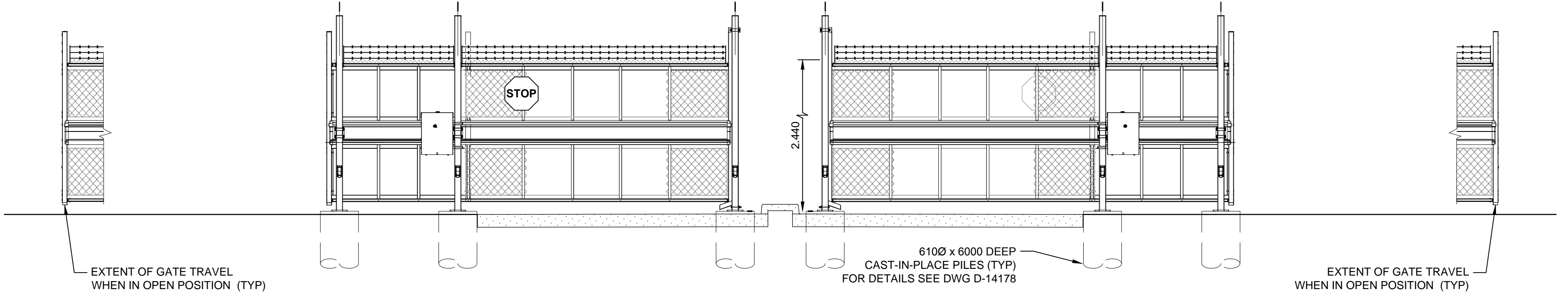
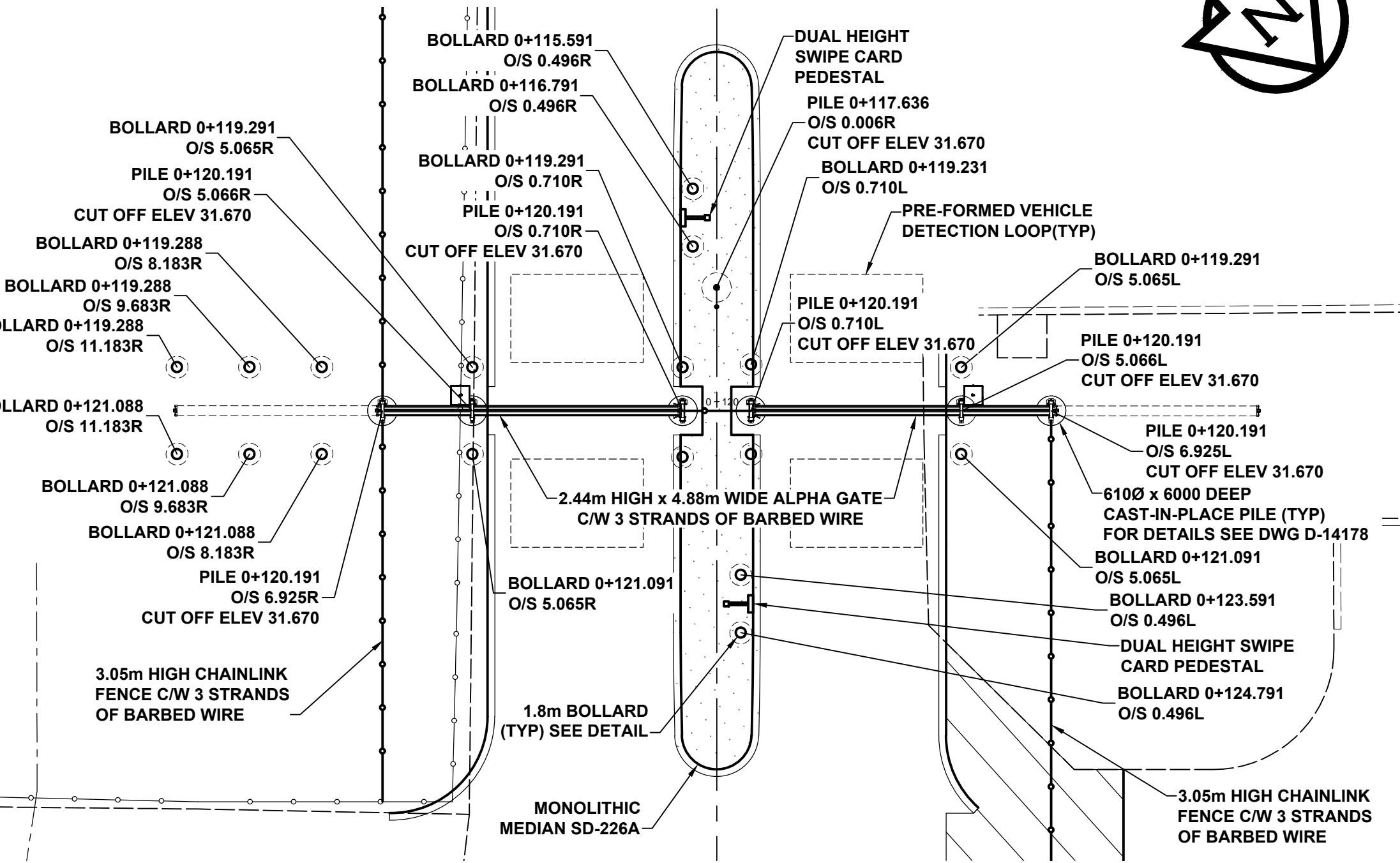
ANSI D - 22 x 34 (559mm x 864mm)

M:\proj\130024\4\Drawings\CONSTRUCTION\DRAWINGS\130024-PL-07.dwg Rev: 12/20/2016 11:59 AM by: Kevin Bernard Plot: 2/1/2016 11:46 AM by: Kevin Bernard



CURVE TABLE				
CURVE	RADIUS	LENGTH	DELTA	TANGENT
C1	2.000	3.171	90°51'11"	2.030
C2	0.720	2.221	176°44'35"	25.326
C3	0.720	2.221	176°44'35"	25.326
C4	2.000	1.689	48°22'35"	0.898
C5	2.000	3.139	89°55'27"	1.997
C6	9.000	11.176	71°08'53"	6.437
C7	9.000	14.137	90°00'00"	9.000
C8	3.000	5.566	106°18'09"	4.003
C9	5.000	1.767	20°15'10"	0.893
C10	2.500	3.864	88°33'45"	2.438
C11	3.000	3.458	66°02'14"	1.950
C12	40.000	3.777	5°24'38"	1.890
C13	50.000	7.243	8°18'01"	3.628

CENTERLINE - GEOMETRIC CONTROL POINT COORDINATES		
POINT/STATION	NORTHING	EASTING
PT 0+094.413	9938.793	10120.586
PI 0+162.658	9989.491	10166.270



LOCATION APPROVED UNDERGROUND STRUCTURES

BM 33-002 ELEV 232.284m

Tbtl. in S. wall of W. Bldg. Standard Chemical Ltd., 681 Plinguet St., 5.8 m W. of S.E. Corner

DESIGNED BY GFC CHECKED BY WRJ

DRAWN BY DML APPROVED BY BWB

HOR SCALE AS SHOWN VERT SCALE AS SHOWN

RELEASED FOR CONSTRUCTION

DATE 13/11/16

No.	REVISIONS	DATE	BY
C	ISSUED FOR TENDER	16/02/05	GFC
B	ISSUED FOR REVIEW	16/01/13	GFC
A	ISSUED FOR CLIENT REVIEW	14/07/17	GFC

MORRISON HERSHFIELD

PROFESSIONAL'S SEAL

PROVINCE OF MANITOBA

G.F. COOLIDGE
Member 24465

REGISTERED PROFESSIONAL ENGINEER

CONSULTANT DRAWING No. W130024-PL-07.DWG

BID OPPORTUNITY No. 588-2015

THE CITY OF WINNIPEG
WATER AND WASTE DEPARTMENT
ENGINEERING DIVISION

AUTOMATED SECURITY GATES & PAVEMENT WORKS - McPHILLIPS PUMPING STATION & PLINGUET YARD

PLINGUET YARD - DAWSON ACCESS PLAN & DETAILS

SHEET 7 OF 13

CITY DRAWING NUMBER **D-14031**