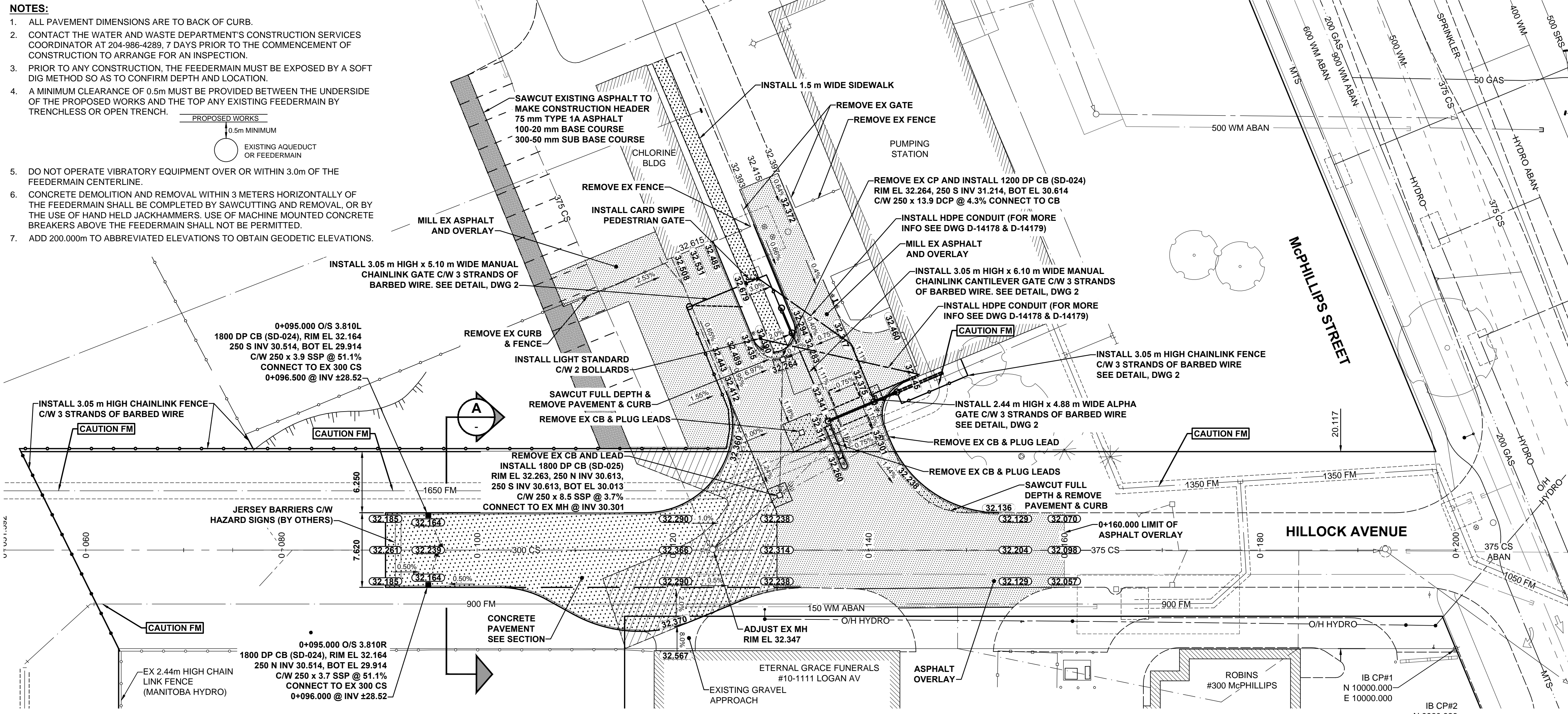
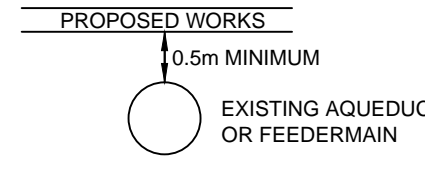


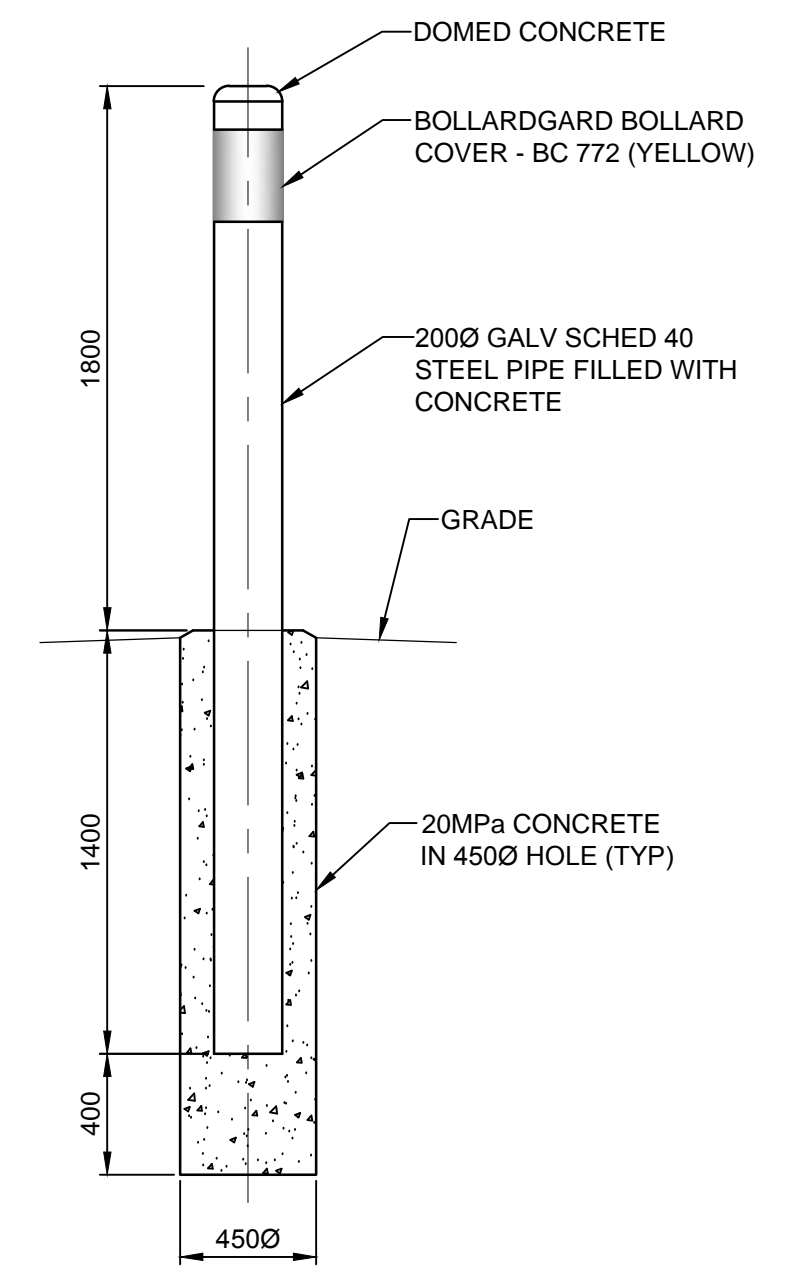
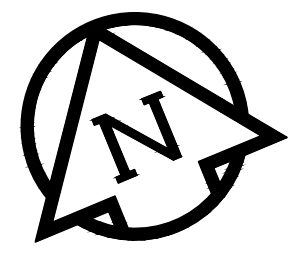
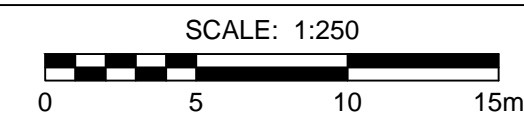
ANSI D - 22' x 34' (558mm x 864mm) M:\proj\130024\4\Drawings\05 Sheets\CONSTRUCTION DRAWINGS\130024-PL-01.dwg Rev: Last Saved: 21/12/2016 10:42 AM by: kbarard Plotted: 21/12/2016 11:42 AM by: Kevin Barard

NOTES:

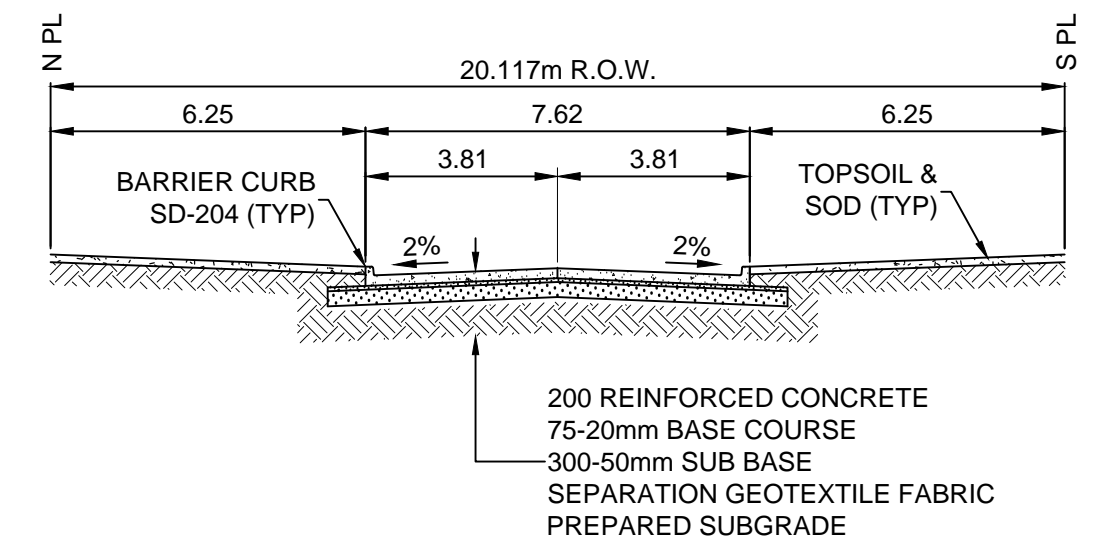
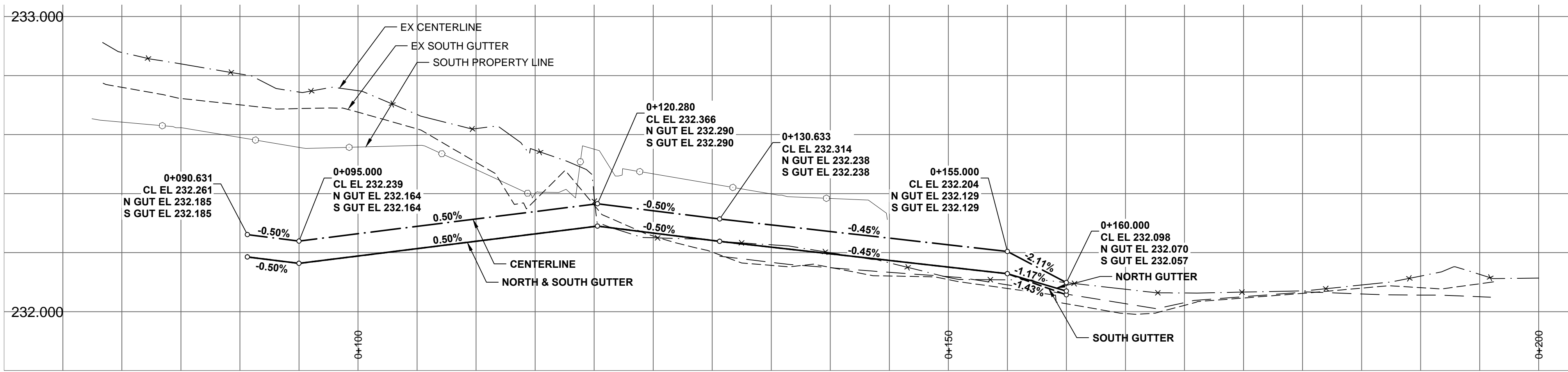
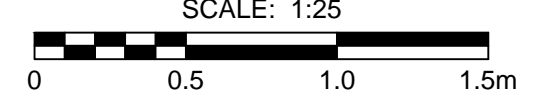
1. ALL PAVEMENT DIMENSIONS ARE TO BACK OF CURB.
2. CONTACT THE WATER AND WASTE DEPARTMENT'S CONSTRUCTION SERVICES COORDINATOR AT 204-986-4289, 7 DAYS PRIOR TO THE COMMENCEMENT OF CONSTRUCTION TO ARRANGE FOR AN INSPECTION.
3. PRIOR TO ANY CONSTRUCTION, THE FEEDERMAIN MUST BE EXPOSED BY A SOFT DIG METHOD SO AS TO CONFIRM DEPTH AND LOCATION.
4. A MINIMUM CLEARANCE OF 0.5m MUST BE PROVIDED BETWEEN THE UNDERSIDE OF THE PROPOSED WORKS AND THE TOP ANY EXISTING FEEDERMAIN BY TRENCHLESS OR OPEN TRENCH.
5. DO NOT OPERATE VIBRATORY EQUIPMENT OVER OR WITHIN 3.0m OF THE FEEDERMAIN CENTERLINE.
6. CONCRETE DEMOLITION AND REMOVAL WITHIN 3 METERS HORIZONTALLY OF THE FEEDERMAIN SHALL BE COMPLETED BY SAWCUTTING AND REMOVAL, OR BY THE USE OF HAND HELD JACKHAMMERS. USE OF MACHINE MOUNTED CONCRETE BREAKERS ABOVE THE FEEDERMAIN SHALL NOT BE PERMITTED.
7. ADD 200.000m TO ABBREVIATED ELEVATIONS TO OBTAIN GEODETIC ELEVATIONS.



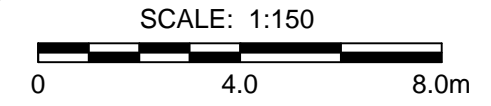
McPhillips Pumping Station Site Plan



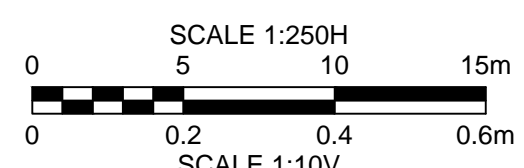
1.8m HIGH BOLLARD



ROAD SECTION



ROAD PROFILE



LOCATION APPROVED UNDERGROUND STRUCTURES

NO.	DESCRIPTION	DATE	BY
C	ISSUED FOR TENDER	16/02/05	GFC
B	ISSUED FOR REVIEW	16/01/13	GFC
A	ISSUED FOR CLIENT REVIEW	14/07/17	GFC
No.	REVISIONS	YYMMDD	BY

BM 36-006 D.B.M.-11.6 m S. of S. wall of McPhillips St. pumping station, 10.4 m W. of line of E. wall of Bldg.
ELEV 232.368m

MORRISON HERSHFIELD	
DESIGNED BY	GFC
CHECKED BY	WRJ
DRAWN BY	DML
APPROVED BY	BWB
RELEASED FOR CONSTRUCTION	
HOR SCALE	AS SHOWN
VERT SCALE	AS SHOWN
DATE	13/11/16

PROFESSIONAL'S SEAL
PROVINCE OF MANITOBA
G.F. COOLIDGE
Member 24465
REGISTERED PROFESSIONAL ENGINEER

THE CITY OF WINNIPEG
WATER AND WASTE DEPARTMENT
ENGINEERING DIVISION

AUTOMATED SECURITY GATES & PAVEMENT WORKS - McPhillips Pumping Station & Plinguet Yard

McPhillips Pumping Station - Hillock Access
PLAN, PROFILE & SECTION

BID OPPORTUNITY No. 588-2015

SHEET 1 OF 13
CITY DRAWING NUMBER
1-0640A-F0001-001