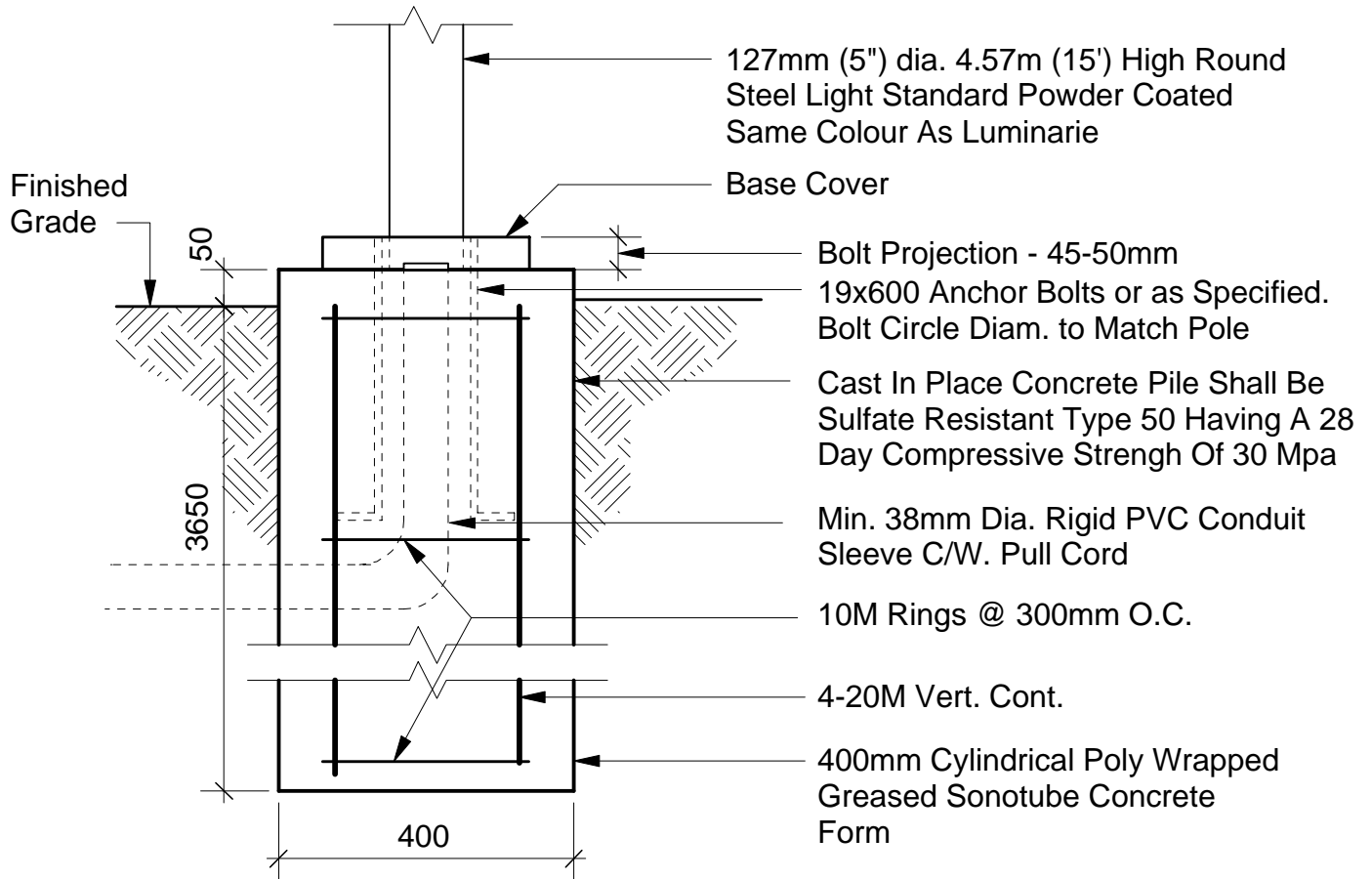


Drawing Title:

# PARK LIGHT BASE DETAIL

Drawing No:

## SCD-652



LIGHT STANDARD  
BASE DETAIL

DIMENSIONS SHOWN ARE IN MILLIMETRES UNLESS OTHERWISE SPECIFIED

REVISION: 1  
DATE: January 12, 2012  
SCALE: N.T.S.  
DRAWN BY: SP

The City of Winnipeg  
Planning, Property and Development Department  
Planning and Land Use Division  
Unit 15 - 30 Fort Street, Winnipeg, MB, R3C 4X5

