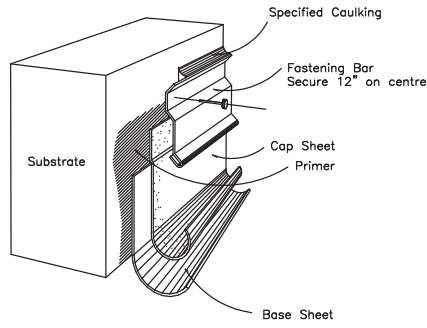
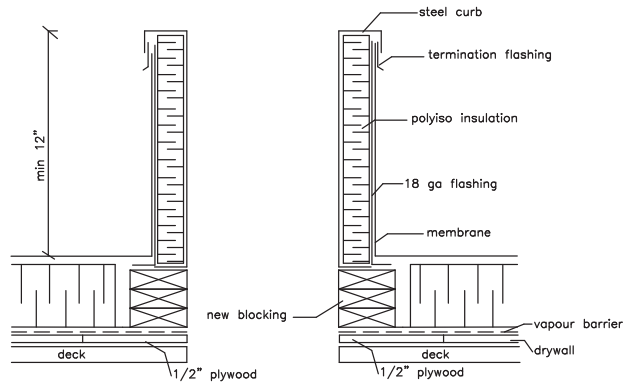


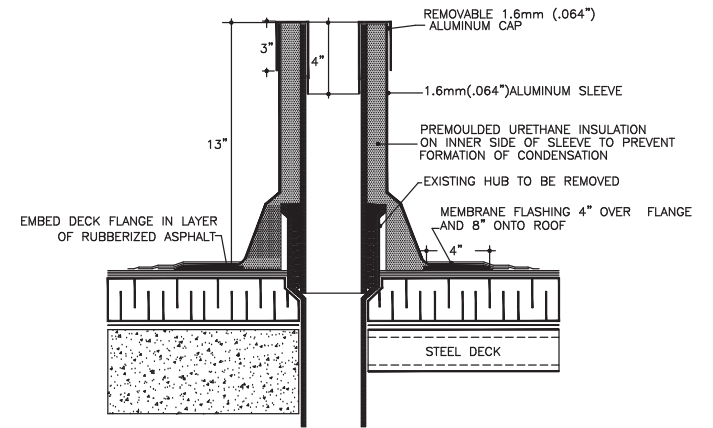
## Typical Fastening Bar



## Steel Curb Construction

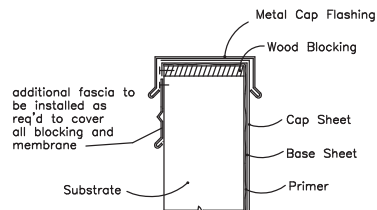
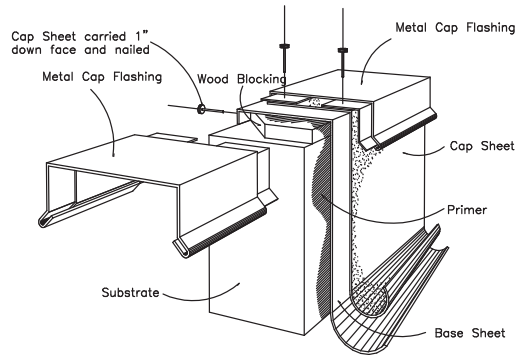


## Plumbing Vent Flashing

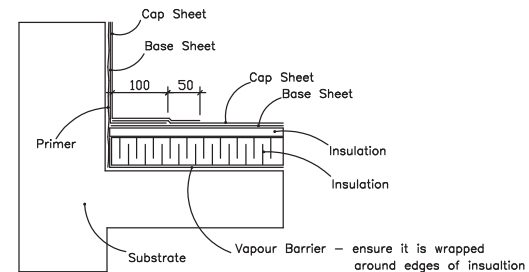


SJ-20 ALUMINUM STACK JACK (13") HIGH


## Typical Parapet Cap



## Typical Roof Edge Detail



Note: Modified Bitumen stripping used in conjunction with 4 ply felt membrane is to have base sheet extend 12" onto flat and cap sheet 18" onto flat.

 <b>Agassiz Consulting Group Ltd.</b> Box 41, Warren, Manitoba R0C 3E0 Office Phone: (204) 383-5538	
Project:	<b>City Hall - Council Building 510 Main Street Winnipeg, MB</b>
Date:	<b>June 2, 2015</b>
Drawing No.	<b>D-1</b>
File no:	<b>3471-15</b>
Scale:	<b>1:100</b>