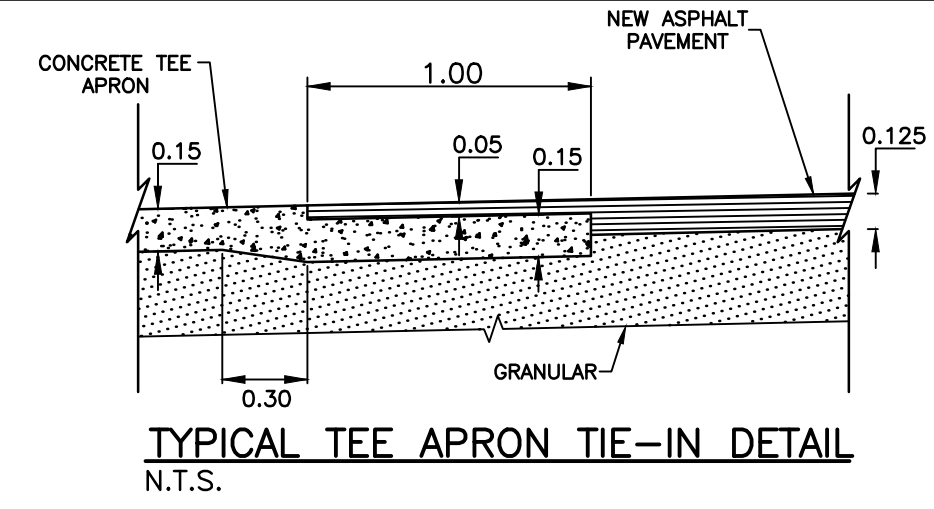
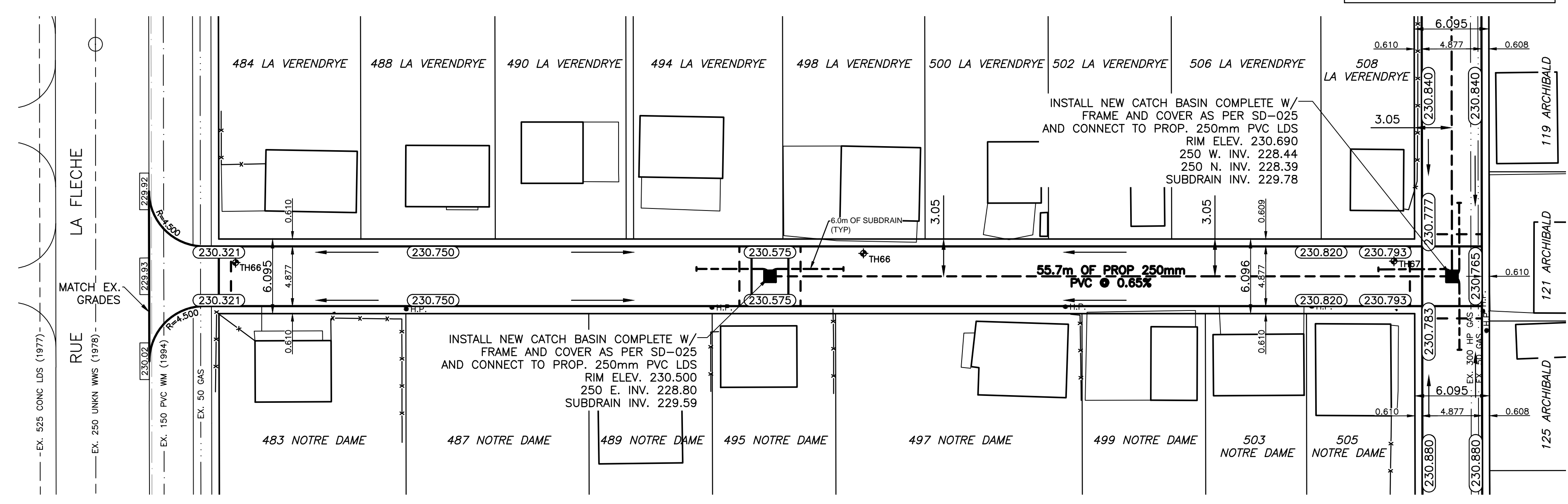
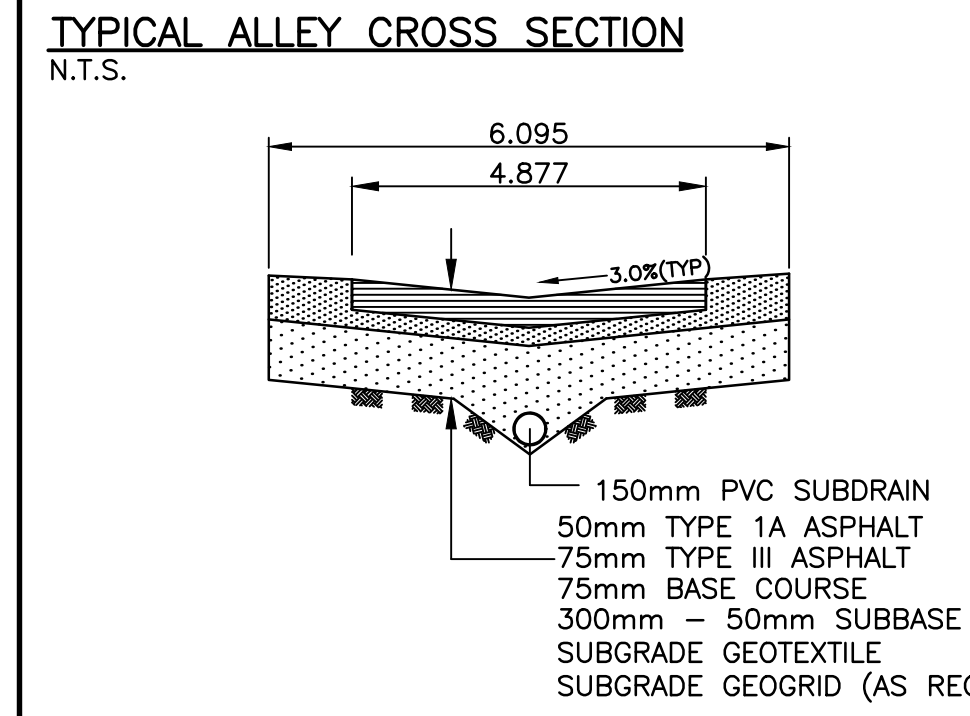
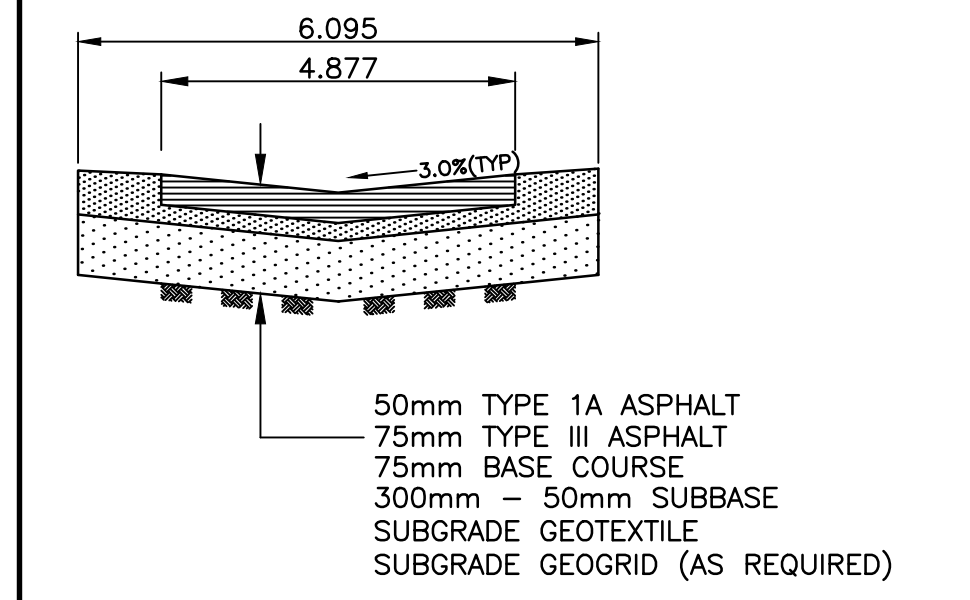
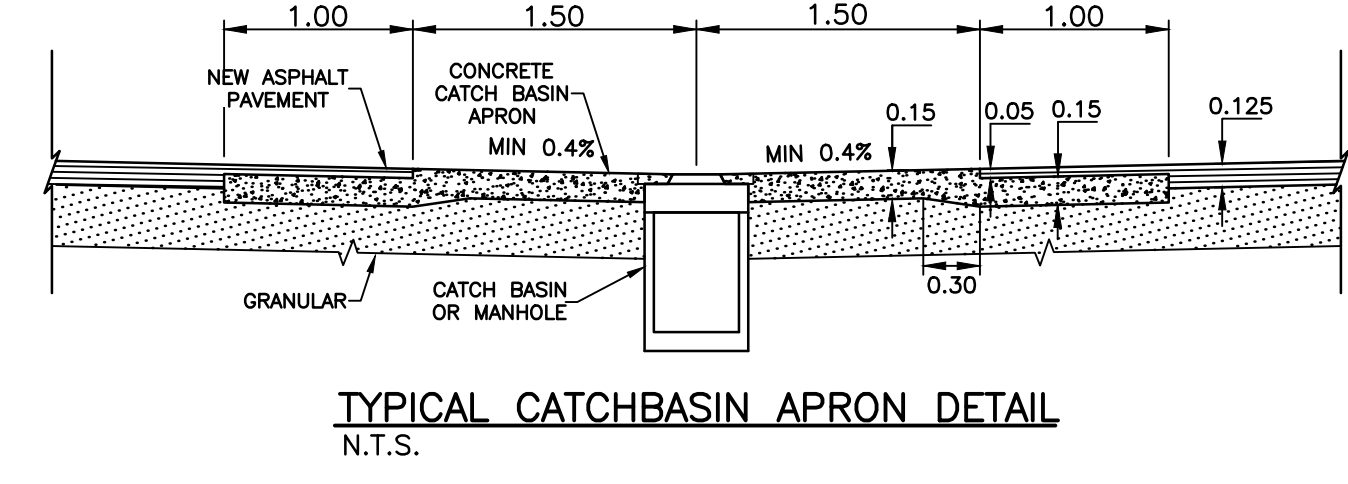


- NOTES:**
- ISOLATE EXISTING HYDRO POLES AS DIRECTED BY CONTRACT ADMINISTRATOR
  - RENEW EXISTING APPROACHES AS DIRECTED BY CONTRACT ADMINISTRATOR
  - ADDITIONAL EXCAVATION AND INSTALLATION OF SUBGRADE GEOGRID TO BE DETERMINED BY CONTRACT ADMINISTRATOR
  - ADJUSTMENTS TO PROPOSED CROSSFALL, WHERE REQUIRED, ARE TO BE DETERMINED BY CONTRACT ADMINISTRATOR TO SUIT EXISTING DRIVEWAYS, APPROACHES, ETC.
  - ALL LAND DRAINAGE SEWER EXCAVATION TO BE JETTED, FLOODED AND TAMPED AS PER CW2030-R7



CHAINAGE ALONG C OF PUBLIC LANE  
RUE LA VERENDRYE / RUE NOTRE DAME



FOR CONTINUATION SEE DWG 141-24150-00-37

FOR CONTINUATION SEE DWG 141-24150-00-37

Description of property limits, and existing and/or proposed features relative to these limits as shown on this drawing do not represent a Legal Survey. WSP makes no representation or guarantee that the property limit information is accurate. WSP accepts no responsibility for damages, if any, suffered by any third party as a result of decisions made or actions based on this drawing.

**TEST HOLE DATUM**  
TH65 - N 5529013, E 635818  
TH66 - N 5529031, E 635866  
TH67 - N 5529045, E 635907

**DESCRIPTION**  
TABLET IN WEST CONCRETE WALL OF CENTRAL GRAIN PLANT, EAST OF ARCHIBALD STREET, 0.3M NORTH OF PRODUCTION OF SOUTH LIMIT OF DUMGULIN STREET.

ROW WIDTH 6.095M  
NEW LANE DESIGN WIDTH 4.877M

METRIC  
WHOLE NUMBERS INDICATE MILLIMETRES  
DECIMALIZED NUMBERS INDICATE METRES



EXISTING	LEGEND - PLAN	PROPOSED	EXISTING	LEGEND - PLAN	PROPOSED	EXISTING	LEGEND - PROFILE	PROPOSED
—	WATERMAIN	—	—	M.T.S.	—	—	WATERMAIN	—
—	HYDRANT	—	—	TRAFFIC SIGNAL	—	—	VALVE	—
—	VALVE	—	—	CONCRETE/ASPHALT	—	—	LAND DRAINAGE SEWER	—
—	CURB STOP	—	—	SIDEWALK	—	—	WASTE WATER SEWER	—
—	WASTE WATER SEWER	—	—	CURB RAMP	—	—	CENTERLINE	—
—	LAND DRAINAGE SEWER	—	—	PROPERTY LINE	—	—	SOUTH & EAST GUTTER	—
—	C.B. LEAD	—	—	ELEVATIONS	(32.00)	—	NORTH & WEST GUTTER	—
—	MANHOLE	—	—	TEST HOLE LOCATION	—	—	S. & E. PAD/GARG.	—
—	CATCH BASIN	—	—			—	N. & W. PAD/GARG.	—
—	GAS	—	—			—		—
—	HYDRO	—	—			—		—

**LOCATION APPROVED UNDERGROUND STRUCTURES**

SUPV. U/G STRUCTURES DATE COMMITTEE

**NOTE:**  
LOCATION OF UNDERGROUND STRUCTURES AS SHOWN ARE BASED ON THE BEST INFORMATION AVAILABLE BUT NO GUARANTEE IS GIVEN THAT ALL EXISTING UTILITIES ARE SHOWN OR THAT THE GIVEN LOCATIONS ARE EXACT. CONFIRMATION OF EXISTENCE AND EXACT LOCATION OF ALL SERVICES MUST BE OBTAINED FROM THE INDIVIDUAL UTILITIES BEFORE PROCEEDING WITH CONSTRUCTION.

NO.	REVISIONS	DATE	BY
3	ISSUED FOR APPROVAL/TENDER	05/27/15	A.B.
2	W&W 70% DESIGN REVIEW	03/31/15	A.B.
1	70% REVIEW	02/10/15	A.B.

**WSP**  
1600 BUFFALO PLACE  
WINNIPEG, MB, R3T 6B8  
PHONE: 204-477-6650  
FAX: 204-474-2864  
WWW.WSPGROUP.COM

DESIGNED BY P.R.  
CHECKED BY R.H.  
DRAWN BY P.R.  
APPROVED BY I.McK.  
HOR. SCALE: 1:250  
VERT. SCALE: 1:25  
DATE MAY 2015

ENGINEERS SEAL  
CONSULTANT DRAWING NO. 141-24150-00-37

**THE CITY OF WINNIPEG**  
PUBLIC WORKS DEPARTMENT

**2015 LOCAL IMPROVEMENTS - CONTRACT 2**  
RUE LA VERENDRYE / RUE NOTRE DAME LANE

EAST GUTTER OF RUE LA FLECHE TO THE WEST LIMIT OF THE E. LANE LEG ASPHALT PAVEMENT

CITY DRAWING NO. SHEET 1 OF 2  
487-2015