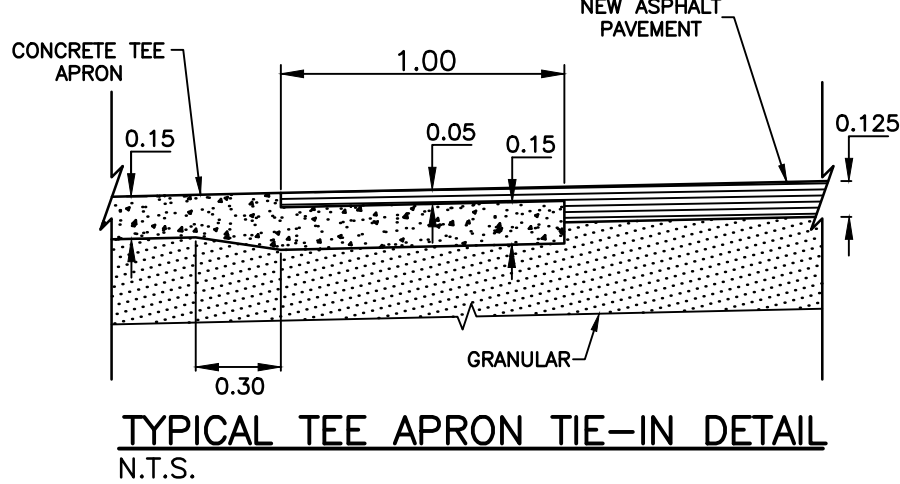
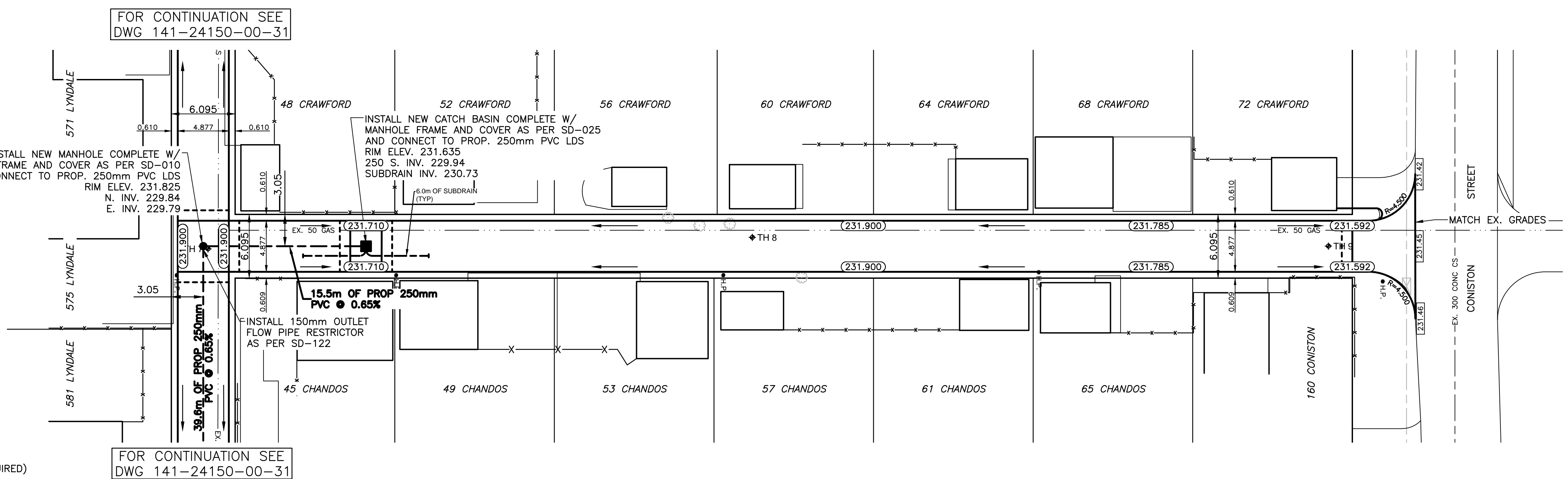
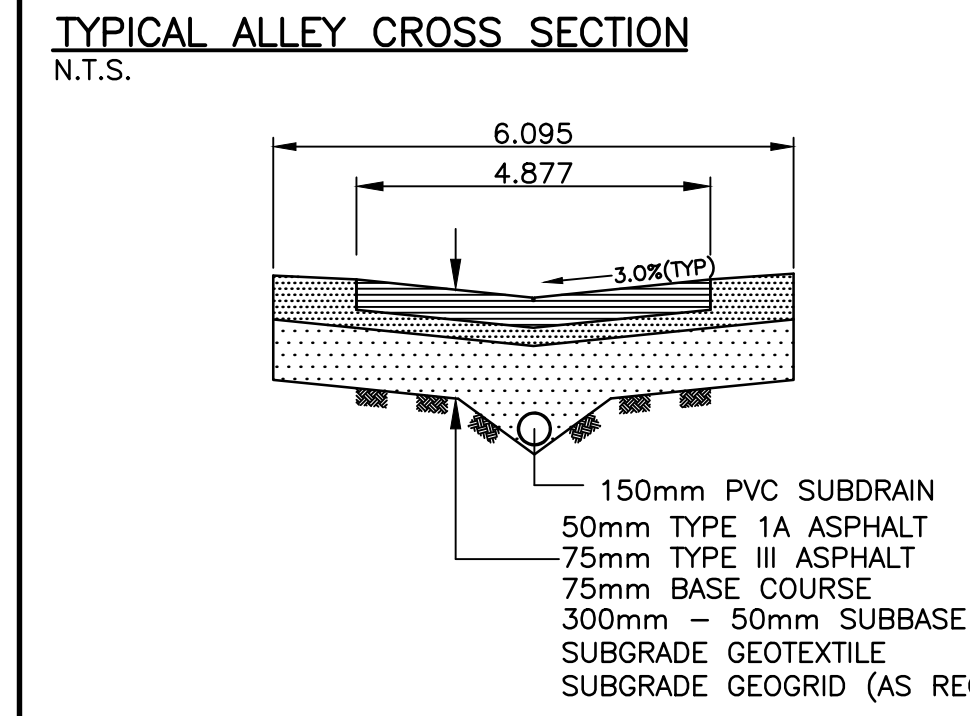
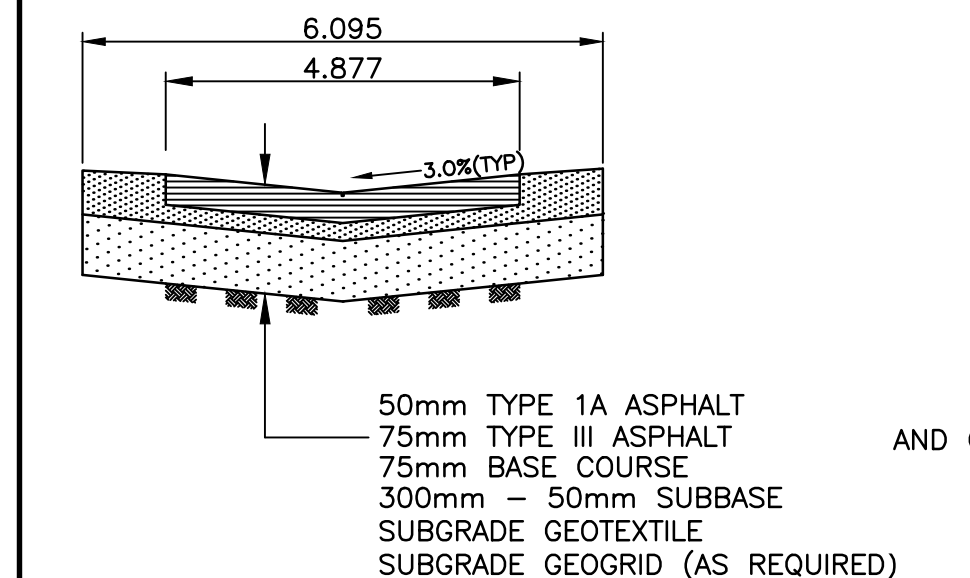
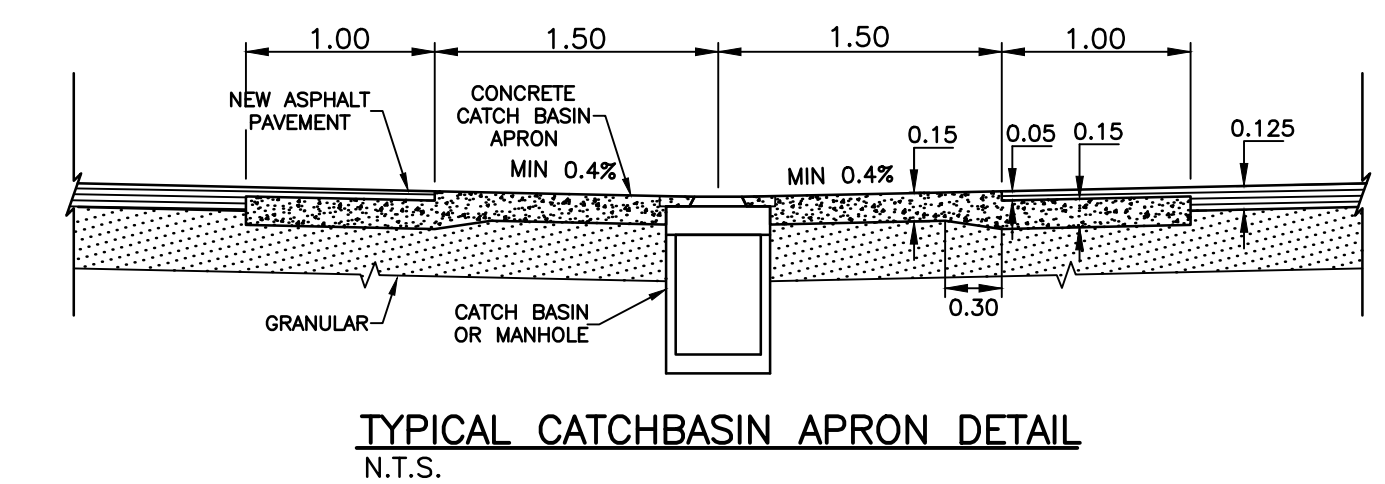


- NOTES:**
- ISOLATE EXISTING HYDRO POLES AS DIRECTED BY CONTRACT ADMINISTRATOR
 - RENEW EXISTING APPROACHES AS DIRECTED BY CONTRACT ADMINISTRATOR
 - ADDITIONAL EXCAVATION AND INSTALLATION OF SUBGRADE GEOGRID TO BE DETERMINED BY CONTRACT ADMINISTRATOR
 - ADJUSTMENTS TO PROPOSED CROSSFALL, WHERE REQUIRED, ARE TO BE DETERMINED BY CONTRACT ADMINISTRATOR TO SUIT EXISTING DRIVEWAYS, APPROACHES, ETC.
 - ALL LAND DRAINAGE SEWER EXCAVATION TO BE JETTED, FLOODED AND TAMPED AS PER CW2030-R7



CHAINAGE ALONG C/L OF PUBLIC LANE
CRAWFORD AVENUE / CHANDOS AVENUE



Description of property limits, and existing and/or proposed features relative to these limits as shown on this drawing do not represent a Legal Survey. WSP makes no representation or guarantee that the property limit information is accurate. WSP accepts no responsibility for damages, if any, suffered by any third party as a result of decisions made or actions based on this drawing.

TEST HOLE DATUM
TH7 - N 5526158, E 634994
TH8 - N 5526210, E 634994
TH9 - N 5526265, E 634996

DESCRIPTION
SOUTH WEST CORNER TACHE AVENUE AND LYNDALE DRIVE, TABLET IN 7.6M CONCRETE PILE, 11.9M WEST OF EAST LIMIT OF TACHE AVENUE AND 2.7M SOUTH OF SOUTH CURB OF PAVEMENT ON LYNDALE DRIVE, 0.013mm IRON BAR DRIVEN ON NORTH SIDE OF FILE TO LOCATE SAME.

ROW WIDTH 6.095M
NEW LANE DESIGN WIDTH 4.877M

METRIC
WHOLE NUMBERS INDICATE MILLIMETRES
DECIMALIZED NUMBERS INDICATE METRES



EXISTING	LEGEND - PLAN	PROPOSED	EXISTING	LEGEND - PLAN	PROPOSED	EXISTING	LEGEND - PROFILE	PROPOSED
—	WATERMAIN	—	—	M.T.S.	—	—	WATERMAIN	—
—	HYDRANT	—	—	TRAFFIC SIGNAL	—	—	VALVE	—
—	VALVE	—	—	CONCRETE/ASPHALT	—	—	LAND DRAINAGE SEWER	—
—	CURB STOP	—	—	SIDEWALK	—	—	WASTE WATER SEWER	—
—	WASTE WATER SEWER	—	—	CURB RAMP	—	—	CENTERLINE	—
—	LAND DRAINAGE SEWER	—	—	PROPERTY LINE	—	—	SOUTH & EAST GUTTER	—
—	C.B. LEAD	—	—	(32.00)	—	—	NORTH & WEST GUTTER	—
—	MANHOLE	—	—	NORTH DRIVEWAY	—	—	TEST HOLE LOCATION	—
—	CATCH BASIN	—	—		—	—	S. & E. PAD/GARG.	—
—	GAS	—	—		—	—	N. & W. PAD/GARG.	—
—	HYDRO	—	—		—	—		—

LOCATION APPROVED UNDERGROUND STRUCTURES

SUPV. U/G STRUCTURES DATE COMMITTEE

NOTE:
LOCATION OF UNDERGROUND STRUCTURES AS SHOWN ARE BASED ON THE BEST INFORMATION AVAILABLE BUT NO GUARANTEE IS GIVEN THAT ALL EXISTING UTILITIES ARE SHOWN OR THAT THE GIVEN LOCATIONS ARE EXACT. CONFIRMATION OF EXISTENCE AND EXACT LOCATION OF ALL SERVICES MUST BE OBTAINED FROM THE INDIVIDUAL UTILITIES BEFORE PROCEEDING WITH CONSTRUCTION.

NO.	REVISIONS	DATE	BY
3	ISSUED FOR APPROVAL/TENDER	05/27/15	A.B.
2	W&W 70% DESIGN REVIEW	03/31/15	A.B.
1	70% REVIEW	02/10/15	A.B.

WSP
1600 BUFFALO PLACE
WINNIPEG, MB, R3T 6B8
PHONE: 204-477-6650
FAX: 204-474-2864
WWW.WSPGROUP.COM

DESIGNED BY: A.B.
CHECKED BY: S.M.
DRAWN BY: A.B.
APPROVED BY: I.McK.
HOR. SCALE: 1:250
VERT. SCALE: 1:25
DATE: MAY 2015

ENGINEERS SEAL

CONSULTANT DRAWING NO.
141-24150-00-31

THE CITY OF WINNIPEG
PUBLIC WORKS DEPARTMENT

2015 LOCAL IMPROVEMENTS - CONTRACT 2
CRAWFORD AVENUE / CHANDOS AVENUE LANE
STATION 1+00 TO CONISTON STREET
ASPHALT PAVEMENT

CITY DRAWING NO.
SHEET 1 OF 2
487-2015