

BILL OF REINFORCING - BLACK STEEL BARS

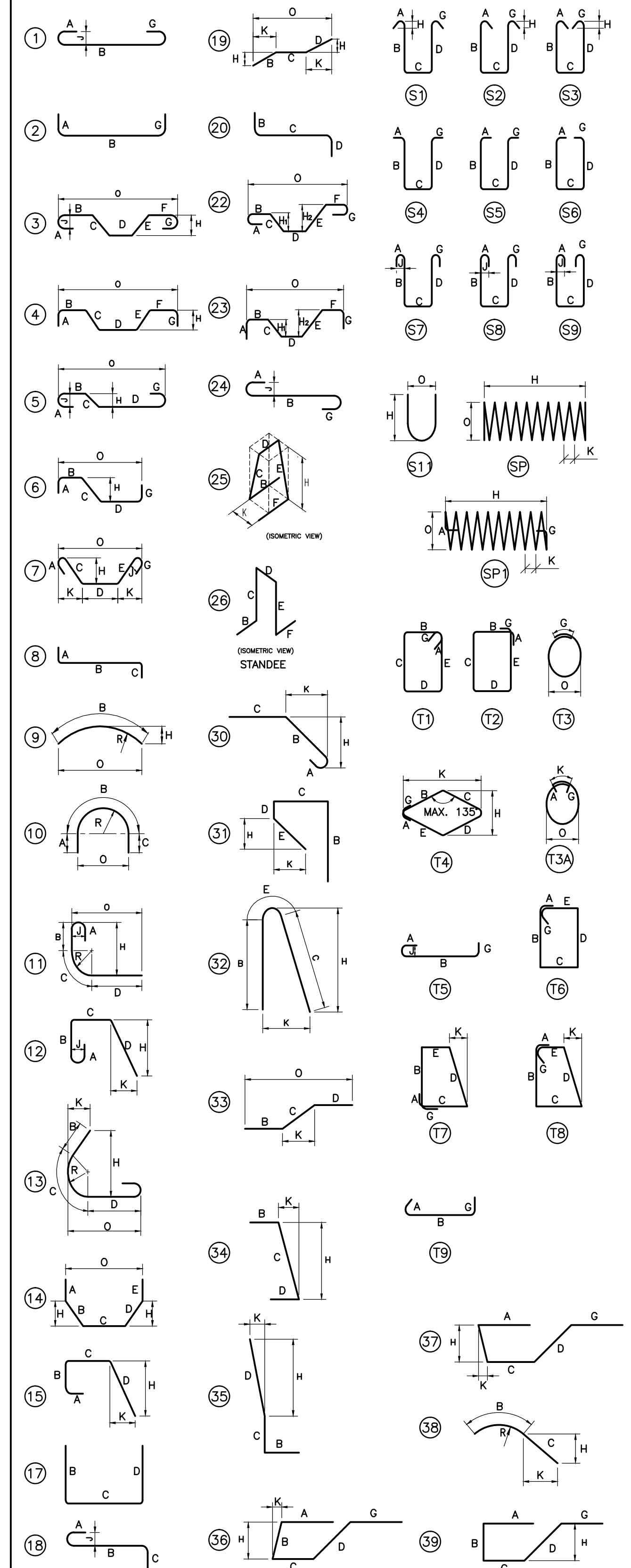
MARK	NO. BARS	SIZE	LENGTH	TYPE	A	B	C	D	E	F	G	H	J	K	O	R	TOTAL (m)	MASS (kg)
A1501	20	15	12000	STR													240.00	376.80
A1502	20	15	6200	STR													124.00	194.68
A1503	18	15	2330	17		600	1130	600									41.94	65.85
A1504	4	15	1795	17		600	595	600									7.18	11.27
A1505	80	15	3410	T2	140	600	965	600	965		140						272.8	410.71
A1506	160	15	800	2	250	300	250										128.00	200.96
A1507	4	15	1380	17		540	300	540									5.52	8.67
A1508	4	15	1180	17		440	300	440									4.72	7.41
A1509	4	15	970	17		335	300	335									3.88	6.09
A1510	4	15	2645	STR													10.58	16.61
A1511	4	15	2540	STR													10.16	15.95
A1512	4	15	2435	STR													9.74	15.29
A1513	4	15	2330	STR													9.32	14.63
A1514	4	15	2230	STR													8.92	14.00
A1515	4	15	2125	STR													8.50	13.35
A1516	4	15	2015	STR													8.06	12.65
A1517	4	15	1910	STR													7.64	11.99
A1518	4	15	1805	STR													7.22	11.34
A1519	4	15	1700	STR													6.80	10.68
A1520	4	15	1595	STR													6.38	10.02
A1521	4	15	1490	STR													5.96	9.36
A1522	4	15	1380	STR													5.52	8.67
A1523	4	15	1275	STR													5.10	8.01
A1524	4	15	1170	STR													4.68	7.35
A1525	4	15	1065	STR													4.26	6.69
A1526	4	15	960	STR													3.84	6.03
A1527	4	15	855	STR													3.42	5.37
A1528	4	15	750	STR													3.00	4.71
A1529	4	15	640	STR													2.56	4.02
A1530	4	15	2640	STR													10.56	16.58
A1531	4	15	2535	STR													10.14	15.92
A1532	4	15	2425	STR													9.70	15.23
A1533	4	15	2320	STR													9.28	14.57
A1534	4	15	2210	STR													8.84	13.88
A1535	4	15	2105	STR													8.42	13.22
A1536	4	15	2000	STR													8.00	12.56
A1537	4	15	1890	STR													7.56	11.87
A1538	4	15	1785	STR													7.14	11.27
A1539	4	15	1675	STR													6.70	10.52
A1540	4	15	1570	STR													6.28	9.86
A1541	4	15	1460	STR													5.84	9.17
A1542	4	15	1355	STR													5.42	8.51
A1543	4	15	1245	STR													4.98	7.82
A1544	4	15	1140	STR													4.56	7.16
A1545	4	15	1030	STR													4.12	6.47
A1546	4	15	925	STR													3.70	5.81
A1547	4	15	815	STR													3.26	5.12
A1548	4	15	710	STR													2.84	4.46
A1549	4	15	600	STR													2.40	3.77
A1550	4	15	1300	17		500	300	500									5.20	8.16
A1551	4	15	1100	17		400	300	400									4.40	6.91
A1552	4	15	870	17		285	300	285									3.48	5.46

BILL OF REINFORCING - BLACK STEEL BARS

MARK	NO. BARS	SIZE	LENGTH	TYPE	A	B	C	D	E	F	G	H	J	K	O	R	TOTAL (m)	MASS (kg)
A2001	102	20	2910	17		950	1010	950									296.82	699.01
A2002	4	20	2740	17		850	1040	850									10.96	25.81
A2003	12	20	12000	17		800	11200	-									144.00	339.12
A2004	12	20	7960	17		800	7160	-									95.52	224.95
A2005	46	20	12000	STR													552.00	1299.96
A2006	46	20	6360	STR													292.56	688.98
A2007	44	20	1690	34		300	1090	300				1050			280		74.36	175.12
A2008	4	20	1290	34		300	690	300				650			175		5.16	12.15
A2009	122	20	3405	17		2350	655	400									415.41	978.29
A2010	124	20	2750	17		2150	600	-									341.00	803.06
A2011	4	20	3430	17		2350	680	400									13.72	32.31
A2012	248	20	1600	STR													396.80	934.46
A2013	4	20	2070	2	300	1770											8.28	19.50
A2014	28	20	2300	2	300	2000											64.40	151.66
A2015	4	20	1190	STR													4.76	11.21
A2016	4	20	1790	STR													7.16	16.86
A2017	4	20	2390	STR													9.56	22.51
A2018	4	20	2985	STR													11.94	28.12
A2019	4	20	3580	STR													14.32	33.72
A2020	4	20	4190	STR													16.76	39.47
A2021	4	20	4750	STR													19.00	44.75
A2022	4	20	5350	STR													21.40	50.40
A2023	4	20	5945	STR													23.78	56.00
A2024	4	20	6545	STR													26.18	61.65
A2025	8	20	6880	STR													55.04	129.62
A2026	20	20	1500	2	300	1200											30.00	70.65
A2501	14	25	12000	19		-	7000	5000				195			5000		168.00	659.40
A2502	4	25	7150	17		4980	2170	-									28.60	112.26
A2503	4	25	5150	17		2980	2170	-									20.60	80.86
A2504	10	25	5290	17		2980	2310	-									52.90	207.63
A2505	10	25	7290	17		4980	2310	-									72.90	286.13
A2506	4	25	2070	2	300	1770											8.28	32.50
A2507	28	25	2795	2	-	2395					400						78.26	307.17
A2508	28	25	3120	14		400	2320	400				320			2820		87.36	342.89
A2509	4	25	1190	STR													4.76	18.68
A2510	4	25	1790	STR													7.16	28.10
A2511	4	25	2390	STR													9.56	37.52
A2512	4	25	2985	STR													11.94	46.86
A2513	4	25	3580	STR													14.32	56.21
A2514	4	25	4190	STR													16.76	65.78
A2515	4	25	4750	STR													19.00	74.58
A2516	4	25	5350	STR													21.40	84.00
A2517	4	25	5945	STR													23.78	93.34
A2518	4	25	6545	STR													26.18	102.76
A2519	4	25	6880	STR													55.04	216.03
A2520	20	25	1600	2	400	1200											32.00	125.60
A2521	8	25	2250	19		800	1450					460			1375		18.00	72.67
A2522	28	25	3790	14	-	400	2990	400				245			3625		106.12	428.41

ABUTMENTS (CONT'D)

BENDING DIAGRAMS:



NOTES:

- ALL DIMENSIONS ARE OUT-TO-OUT OF A BAR EXCEPT "A" AND "G" ON STANDARD 18