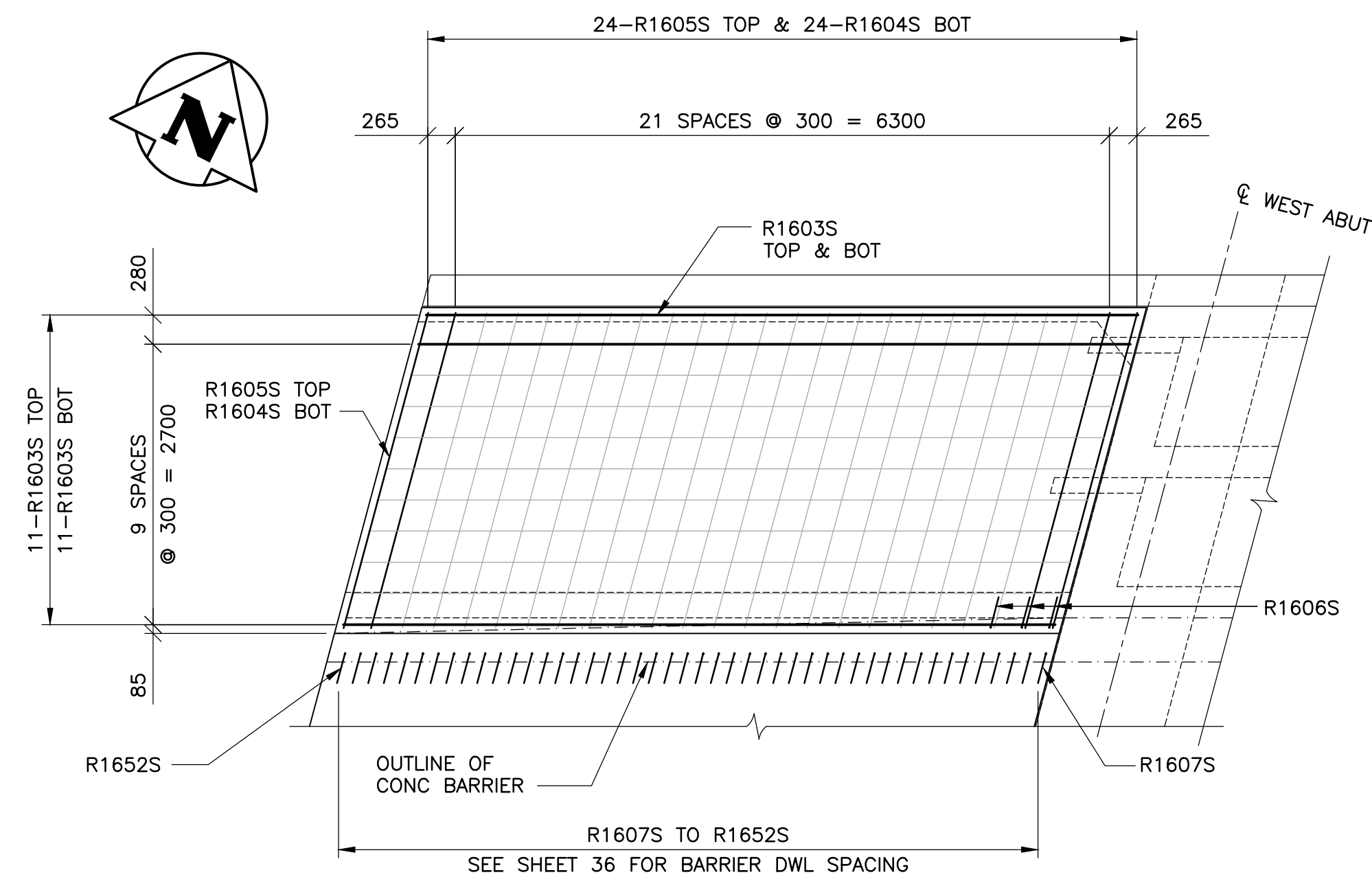
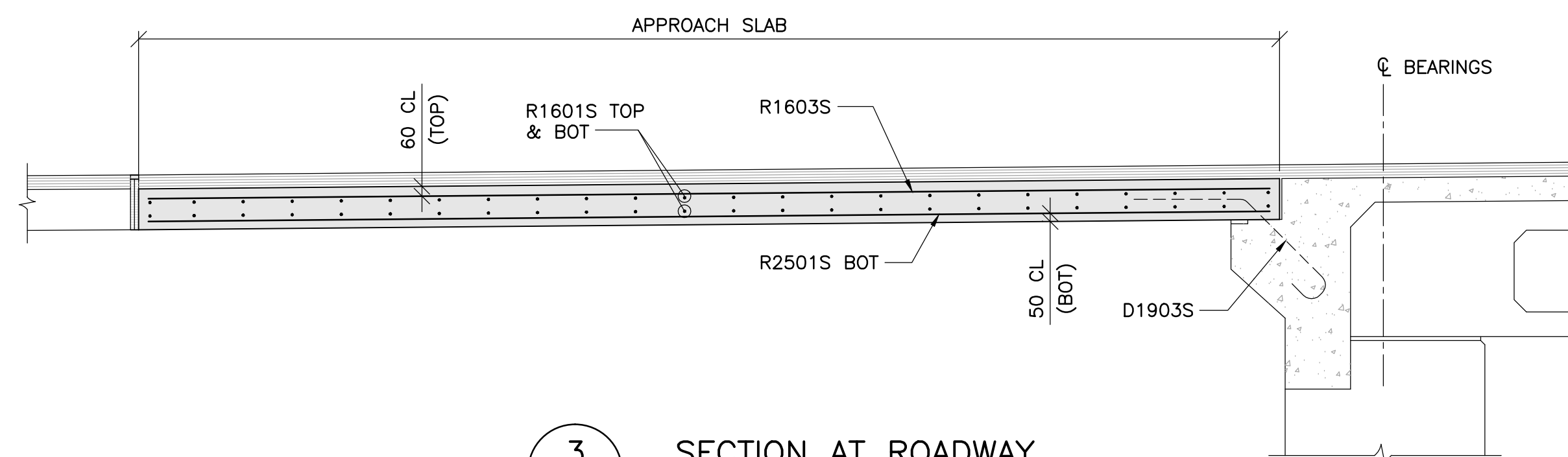


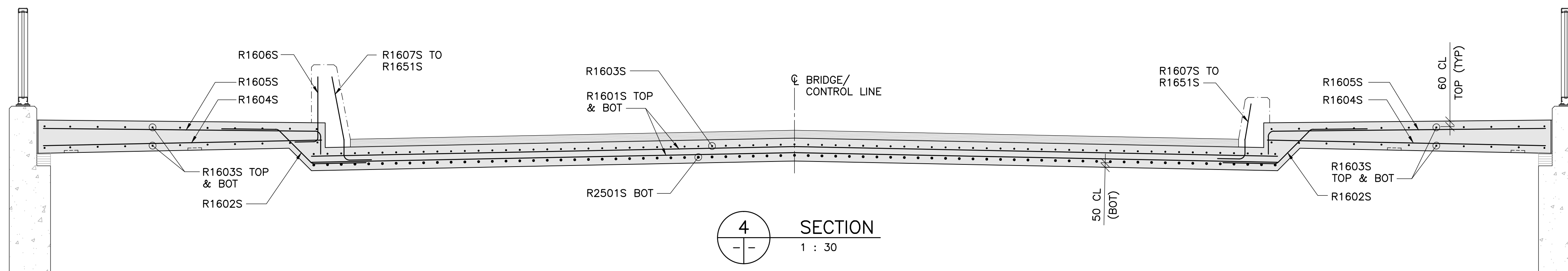
1 WEST APPROACH SLAB - PLAN
1 : 75
- WEST APPROACH AS SHOWN, EAST APPROACH SIMILAR



2 DETAIL - APPROACH SIDEWALK REINFORCING
1 : 50
- NORTH WEST APPROACH SIDEWALK AS SHOWN
- NORTH EAST, SOUTH WEST AND SOUTH EAST SIMILAR



3 SECTION AT ROADWAY
1 : 30



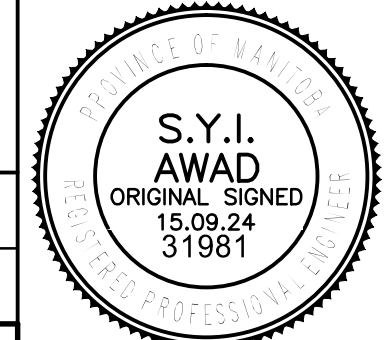
4 SECTION
1 : 30



B.M. ELEV.			
0	ISSUED FOR TENDER	15.09.24	S.A.
NO.	REVISIONS	DATE	BY



DESIGNED BY	D.M.	CHECKED BY	S.A.
DRAWN BY	B.M.	APPROVED BY	E.F.S.
HOR. SCALE:	AS NOTED	ACCEPTED BY	DATE
VERTICAL:	AS NOTED	ORIGINAL DRAWING SIGNED BY:	15.09.24
		D.N. BURMEY, P.ENG.	BRIDGE PROJECTS ENGINEER



NESS AVENUE AT STURGEON CREEK BRIDGE CONSTRUCTION		CITY DRAWING NUMBER
EAST AND WEST APPROACH SLAB REINFORCING DETAILS		B243-15-042
		SHEET 42 OF 64
		42