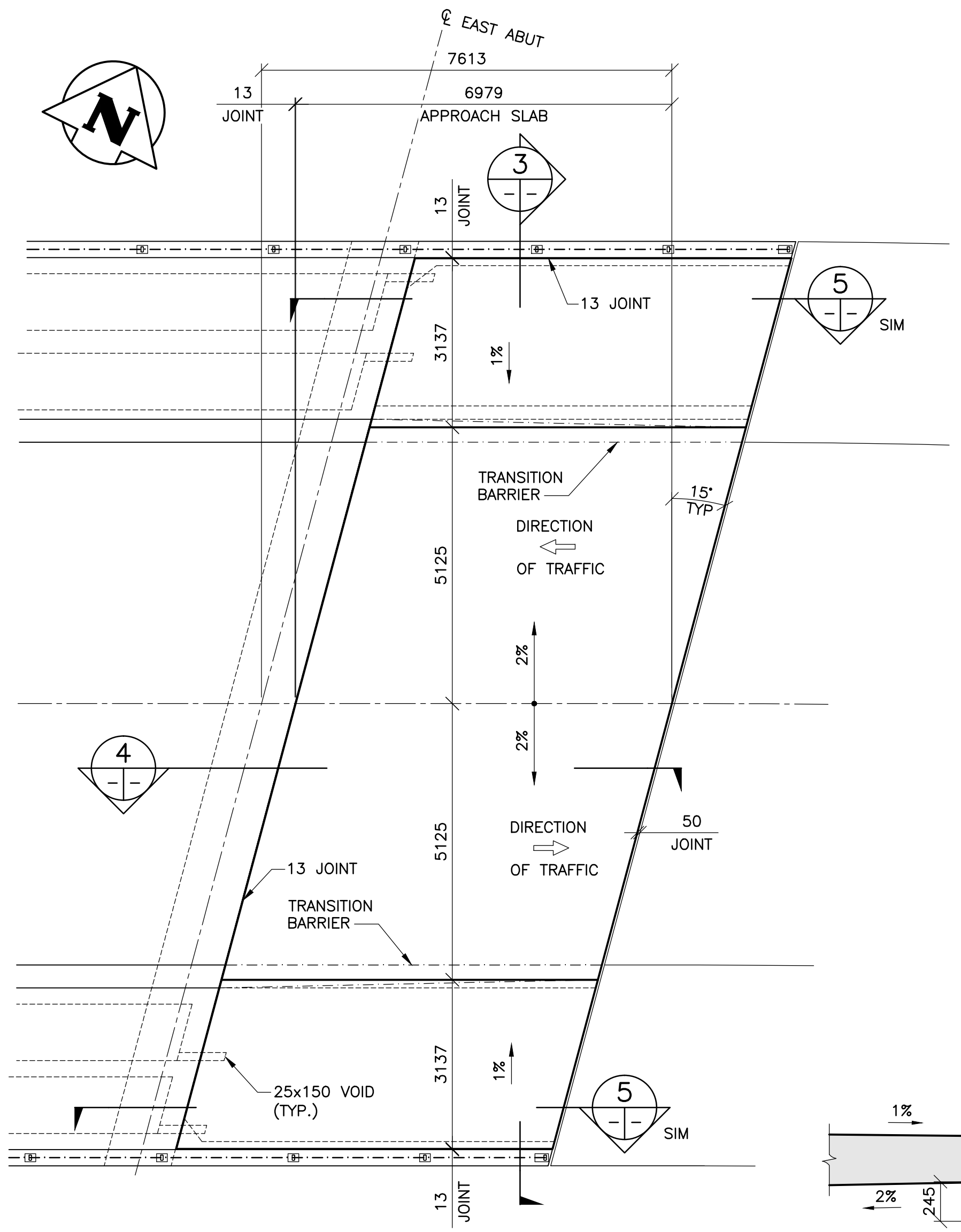
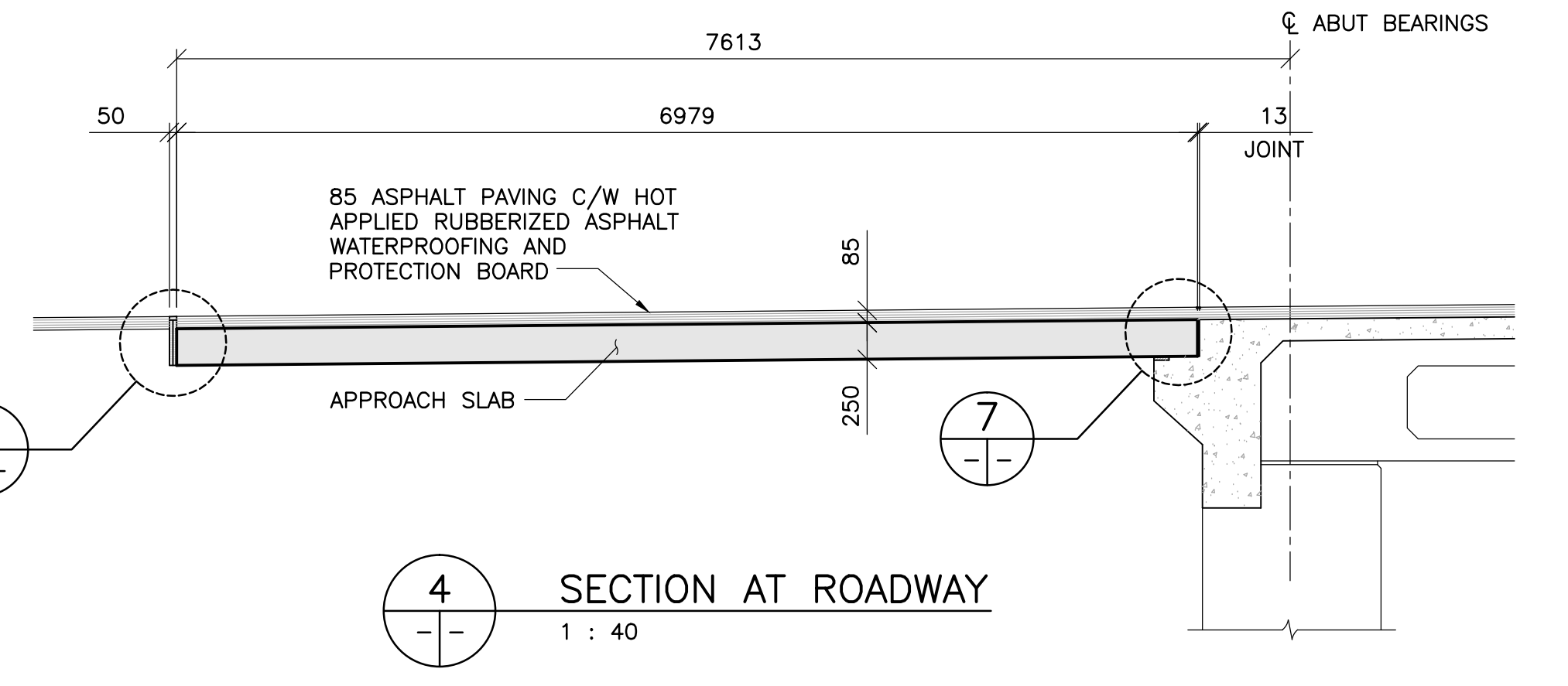


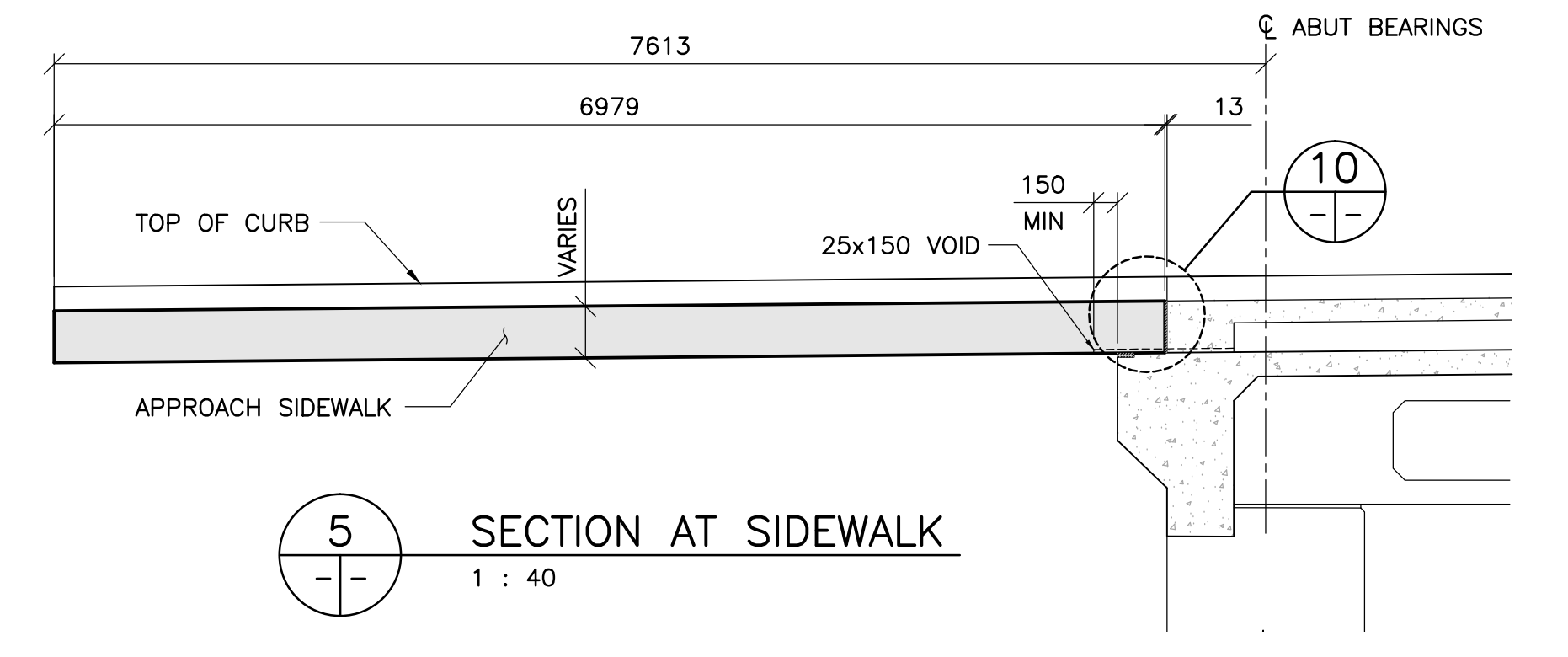
1 WEST APPROACH SLAB - PLAN
1 : 75



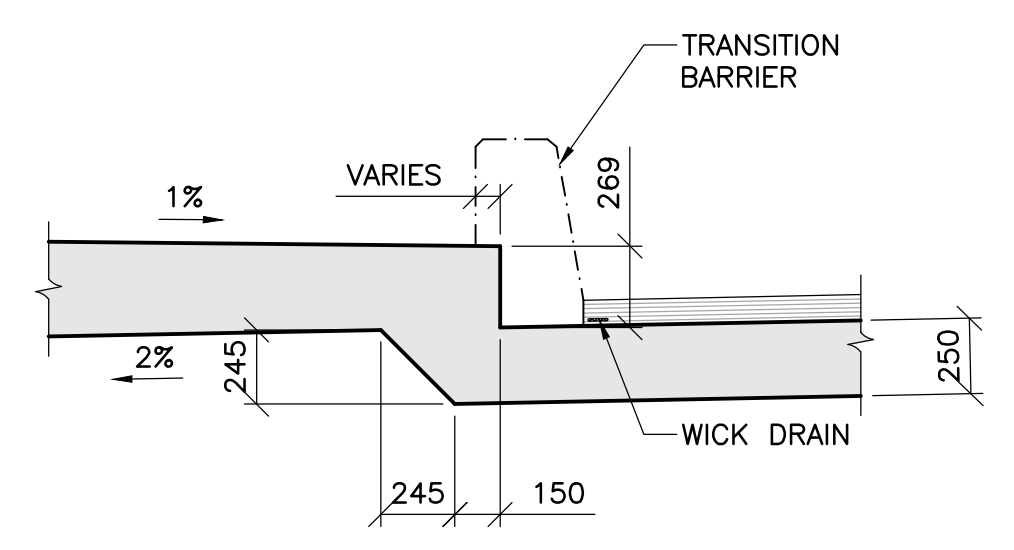
2 EAST APPROACH SLAB - PLAN
1 : 75



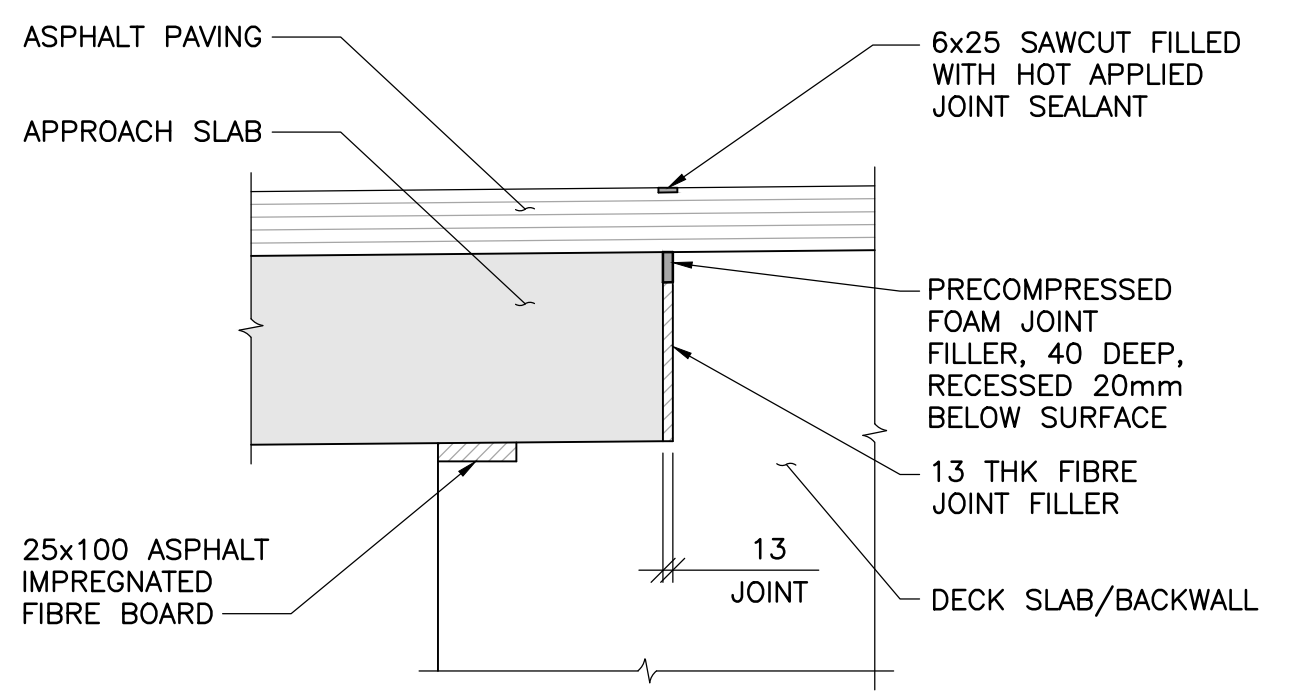
4 SECTION AT ROADWAY
1 : 40



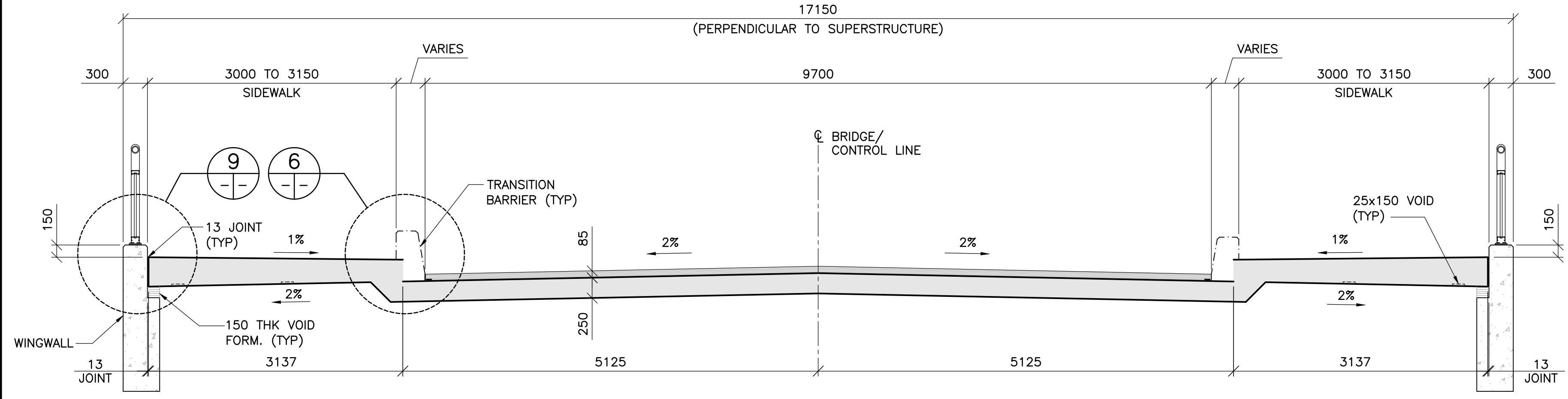
5 SECTION AT SIDEWALK
1 : 40



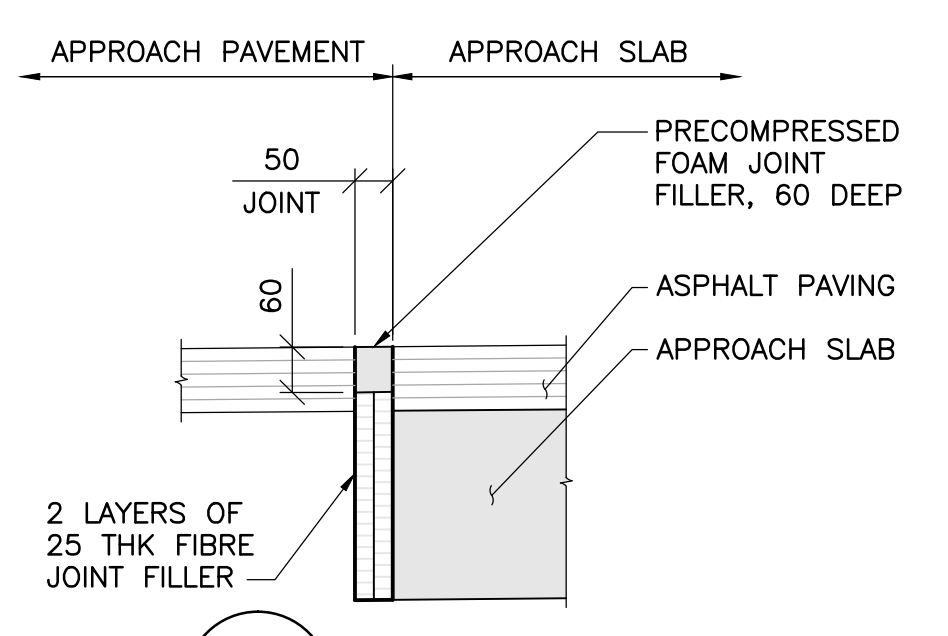
6 DETAIL
1 : 25



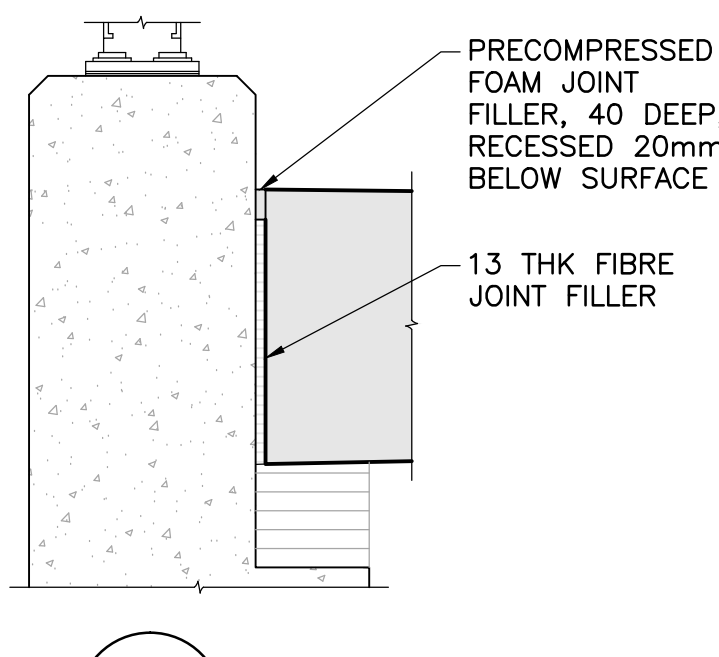
7 DETAIL
1 : 10



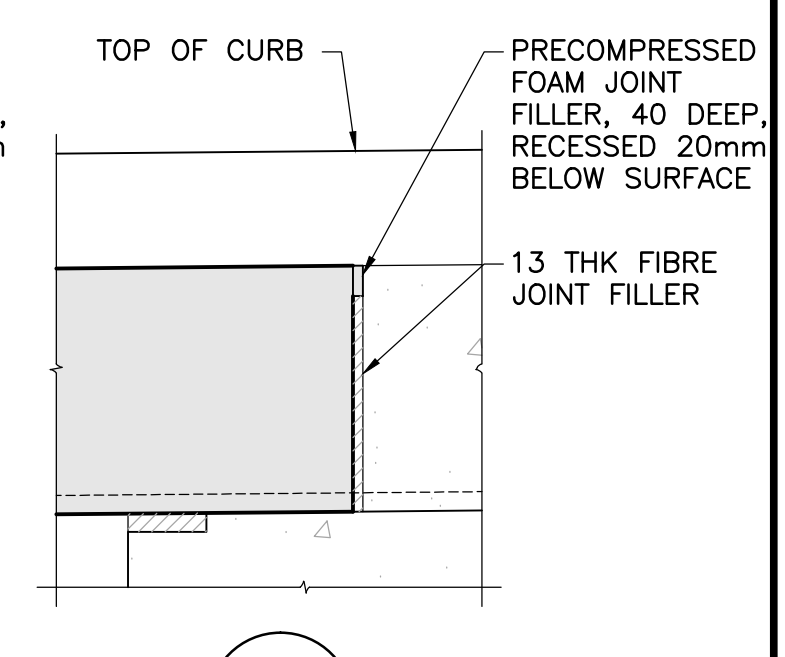
3 APPROACH SLAB - CROSS SECTION
1 : 40
- ALL DIMENSIONS TAKEN PERPENDICULAR TO SUPERSTRUCTURE



8 DETAIL
1 : 10



9 DETAIL
1 : 10

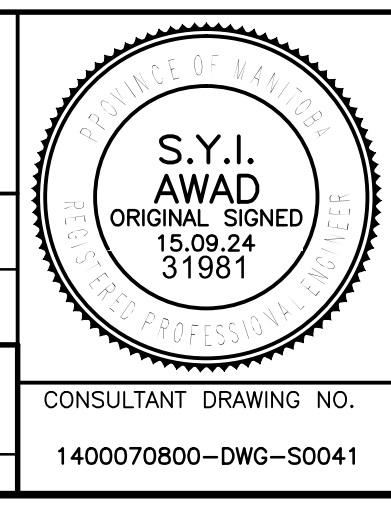


10 DETAIL
1 : 10



B.M. ELEV.	NO.	REVISIONS	DATE	BY
	0	ISSUED FOR TENDER	15.09.24	S.A.

DESIGNED BY	D.M.	CHECKED BY	S.A.
DRAWN BY	G.I.	APPROVED BY	E.F.S.
HOR. SCALE:	AS NOTED	ACCEPTED BY	DATE
VERTICAL:	AS NOTED	ORIGINAL DRAWING SIGNED BY:	15.09.24
		D.N. BURNEY, P.ENG.	BRIDGE PROJECTS ENGINEER



THE CITY OF WINNIPEG
PUBLIC WORKS DEPARTMENT
ENGINEERING DIVISION

**NESS AVENUE AT STURGEON CREEK
BRIDGE CONSTRUCTION**

**EAST AND WEST APPROACH SLAB
CONCRETE DETAILS**

CITY DRAWING NUMBER
B243-15-041
SHEET **41** OF **64**

CONSULTANT DRAWING NO.
1400070800-DWG-S0041

41